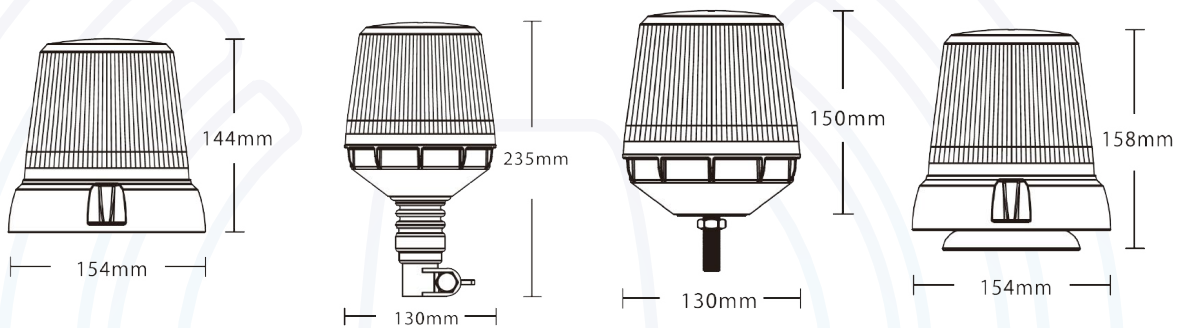


VSWD-210


BEACON SERIES

R10

R65



Part Number	Description
VSWD-210-3-A	3 Bolt Fixing Amber
VSWD-210-FD-A	Flexi Din Fixing - Amber
VSWD-210-1B-A	1 Bolt Fixing - Amber
VSWD-210-M-A	Magnetic Fixing - Amber

Flash Patterns	4 Patterns	Approvals	ECE R10 / ECE R65
Voltage	9-30v	IP Rating	IP67
LEDs	16 LEDs	Colours	
Mounting	See above	Additional Features	
Dimensions	See above	Box Qty	20
Housing Material	Polycarbonate	Lens Material	Polycarbonate