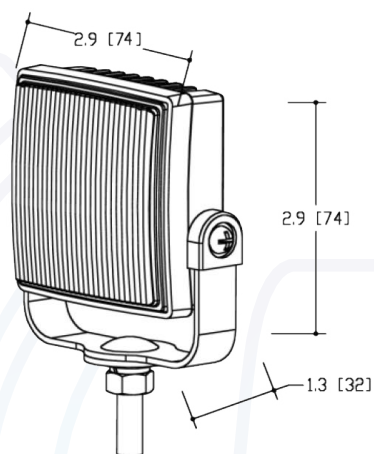


VSWD-4H75


STROBE SERIES

R10

R65



Part Number	Description
VSWD-4H75-A	4 LED Amber

Flash Patterns	26 Patterns	Approvals	ECE R10 ECE R65
Voltage	9-30v	IP Rating	IP67
LEDs	4 LEDs	Colours	
Mounting	Bolt or Bracket	Additional Features	Sync wire
Dimensions	See above	Box Qty	30
Housing Material	Aluminium	Lens Material	Polycarbonate