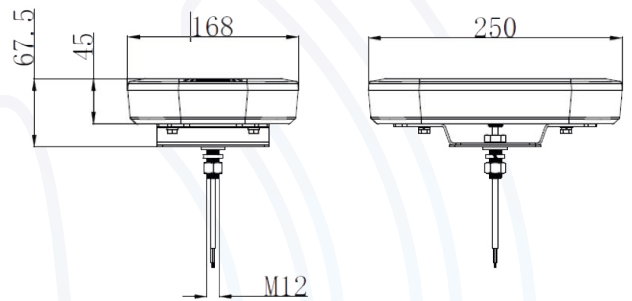
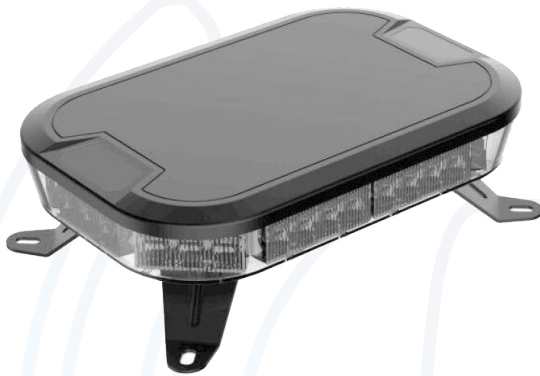


VSWD-730


MINI BAR SERIES

R10

R65



Part Number	Description
VSWD-730-1B-A VSWD-MB-BR4	250mm, 34 LED Amber Black Lid 1 Bolt 4 Bolt Bracket Feet

Flash Patterns	19 Patterns	Approvals	ECE R10 ECE R65 SAE J595
Voltage	9-30v	IP Rating	IP67
LEDs	34 LEDs	Colours	
Mounting	Bolt or Bracket	Additional Features	
Dimensions	250 x 168 x 45 mm	Box Qty	16
Housing Material	Polycarbonate	Lens Material	Polycarbonate