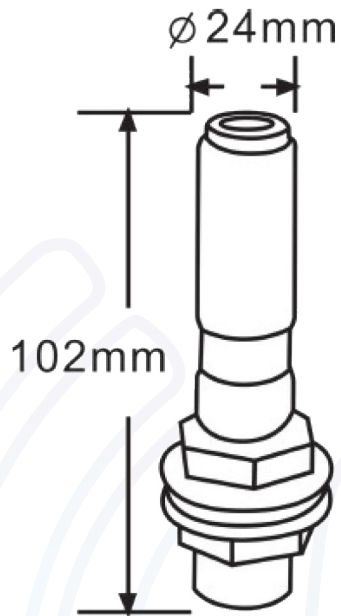


VSWD-BRACKET1

BRACKETS



Part Number	Description
BRACKET1	Pole mount bracket Made from Iron Dimensions 102 x 24mm