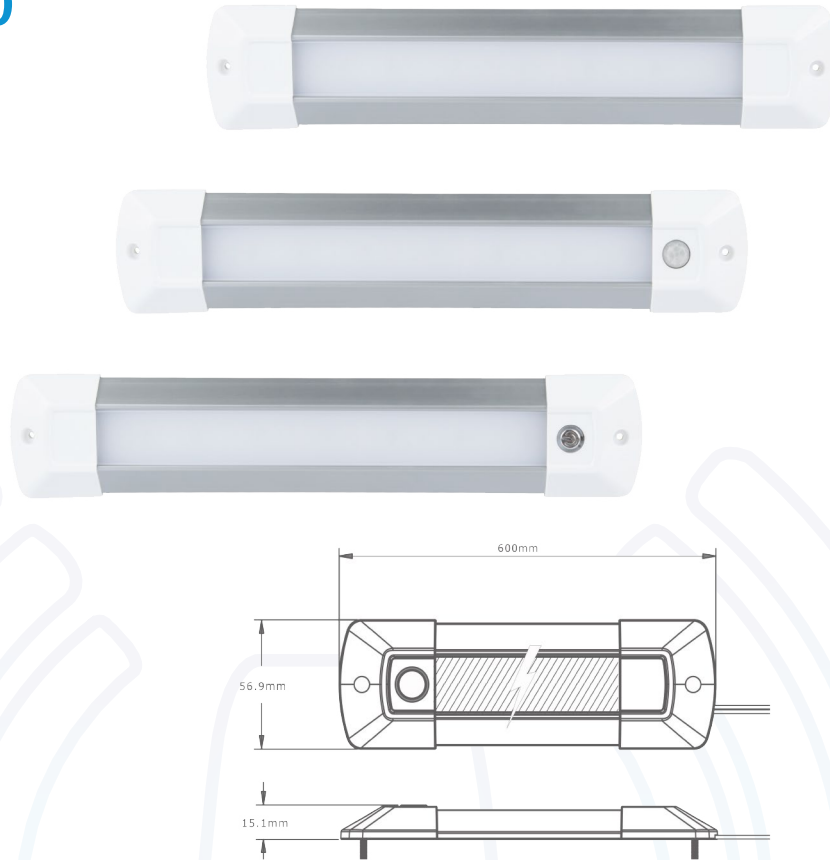


VSWD-INT600

INTERIOR LIGHT

R10



Part Number	Description
VSWD-INT600	Interior Light 600mm 130 LED
VSWD-INT600-02	Interior Light 600mm 130 LED with Switch
VSWD-INT600-03	Interior Light 600mm 130 LED with PIR

Lumens	1820	Approvals	ECE R10
Voltage	10-30v	IP Rating	IP67
LEDs	130 LEDs	Colour Temp	5700K - 6500K
Mounting	Surface	Additional Features	Wires Only, Touch Switch with Dimming Function, PIR
Dimensions	600 x 57 x 15mm	Box Qty	20
Housing Material	Aluminium	Lens Material	Polycarbonate