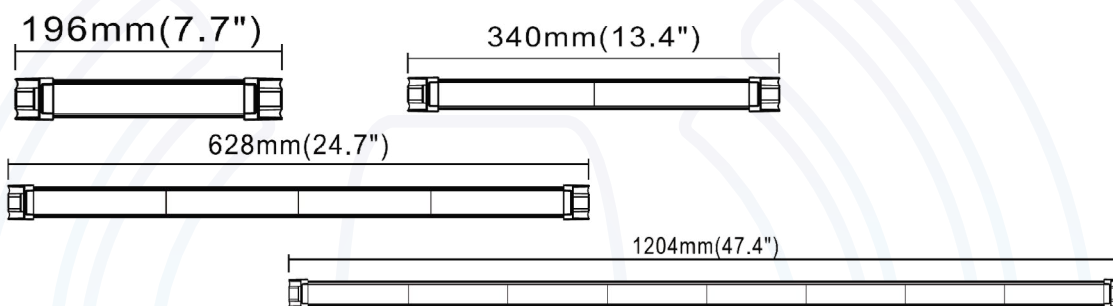


VSWD-TD31


STROBE SERIES

R10

R65



Part Number	+ Length	+ Colour
VSWD-TD31-Length-A	196, 304, 628, 1204mm	A = Amber
VSWD-TD31-2CONN	Connector for double	
VSWD-TD31-CLIP	Clips	
VSWD-TD31-CUP	Suction cups	

Flash Patterns	27 Patterns	Approvals	ECE R10 ECE R65
Voltage	9-30v	IP Rating	IP67
LEDs	9/18/36/72 LEDs	Colours	
Mounting	Bolt, bracket or suction cups	Additional Features	Traffic Director on size 1204mm, Sync wire (all)
Dimensions	See above	Box Qty	20/20/12/8 100 for accessories
Housing Material	Aluminium	Lens Material	Polycarbonate