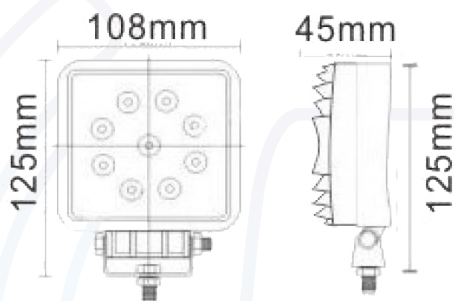


## VSWD-WL602

WORKLAMPS

**R10**



| Part Number      |           | Description                  |                 |
|------------------|-----------|------------------------------|-----------------|
| VSWD-WL602-F     |           | 27w Square Lamp - Flood Beam |                 |
| Lumens           | 1400      | Approvals                    | ECE R10<br>UKCA |
| Voltage          | 12-80v    | IP Rating                    | IP67            |
| LEDs             | 9 LEDs    | Beam Pattern                 | Flood           |
| Mounting         | Bracket   | Additional Features          |                 |
| Dimensions       | See above | Box Qty                      | 30              |
| Housing Material | Aluminium | Lens Material                | PMMA            |