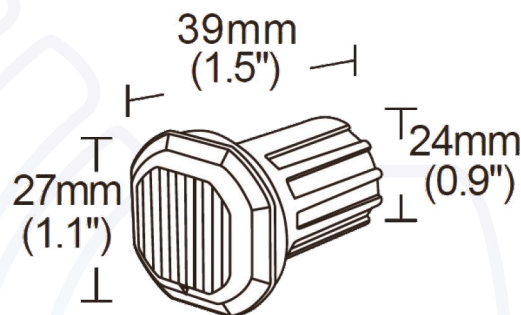


VSWD-HIL308-A

STROBE SERIES

R10

R65



| Part Number | + Colour |
|--------------------|---|
| VSWD-HIL308-Colour | A = Amber B = Blue R = Red W = White |

| | | | |
|------------------|-------------|---------------------|----------------------------------|
| Flash Patterns | 21 Patterns | Approvals | ECE R10 (All) ECE R65 (Amber) |
| Voltage | 12-24v | IP Rating | IP67 |
| LEDs | 4 LEDs | Colours | |
| Mounting | Bracket | Additional Features | Sync wire |
| Dimensions | See above | Box Qty | 50 |
| Housing Material | Aluminium | Lens Material | Polycarbonate |