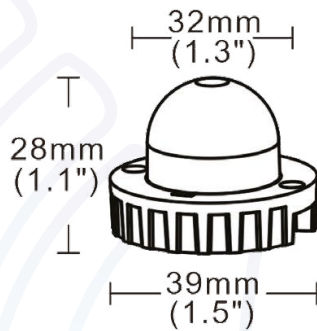


VSWD-HL305

STROBE SERIES

R10

R65



Part Number	+ Colour
VSWD-HL305-Colour	A = Amber B = Blue R = Red W = White

Flash Patterns	21 Patterns	Approvals	ECE R10 (All) ECE R65 (Amber)
Voltage	12-24v	IP Rating	IP67
LEDs	6 LEDs	Colours	
Mounting	Bolts with Black Cover	Additional Features	Sync wire
Dimensions	See above	Box Qty	50
Housing Material	Aluminium	Lens Material	Polycarbonate