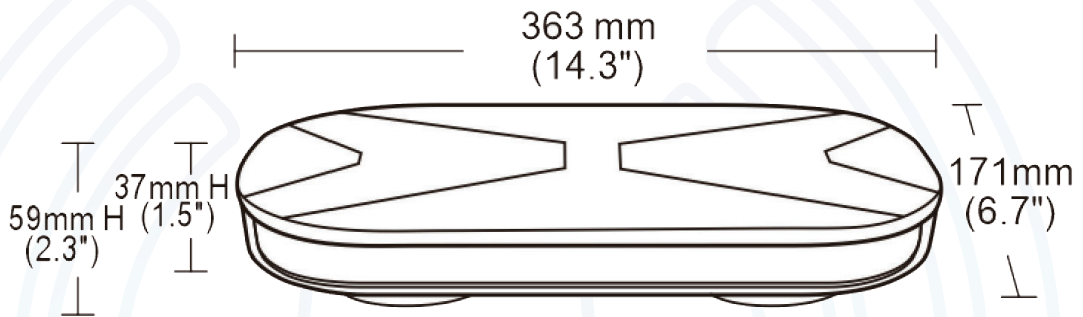
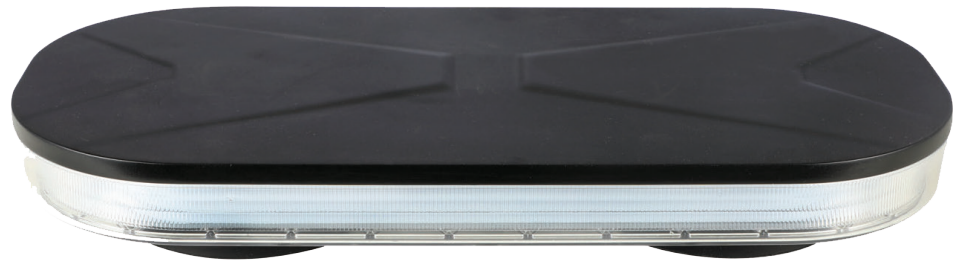


VSWD-139


MINI BAR SERIES

R10

R65



Part Number	Description
VSWD-139-1B-A	139 Mini Bar 363mm 1 Bolt Amber
VSWD-139M-A	139 Mini Bar 363mm Magnetic Amber

Flash Patterns	26 Patterns	Approvals	ECE R10, R65 TA2
Voltage	12-24v	IP Rating	IP67
LEDs	72 LEDs	Colours	
Mounting	1 Bolt / Mag	Additional Features	Black lid
Dimensions	See above	Box Qty	6
Housing Material	Polycarbonate	Lens Material	Polycarbonate