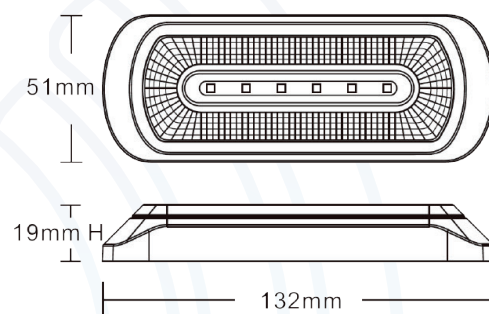
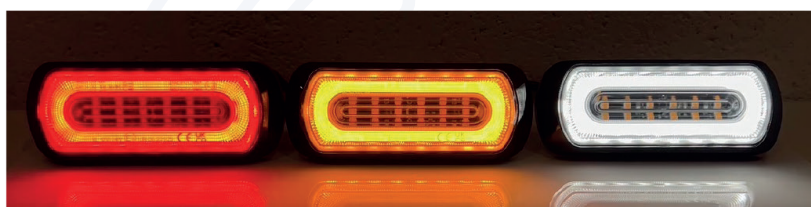


VSWD-706


STROBE SERIES

R10

R65



Part Number	Description
VSWD-6H706A-ST	6 LED Amber Warning/ 18 LED Red Tail
VSWD-6H706A-DI	6 LED Amber Warning/18 LED Amber Directional Indicator
VSWD-6H706A-RV	6 LED Amber Warning/18 LED White Reverse

Flash Patterns	21 Patterns	Approvals	ECE R10, ECE R65 XAI, ECE R148
Voltage	9-30v	IP Rating	IP67
LEDs	6 + 18 LEDs	Colours	
Mounting	Bolt	Additional Features	Sync wire
Dimensions	See above	Box Qty	50
Housing Material	Aluminium	Lens Material	Polycarbonate