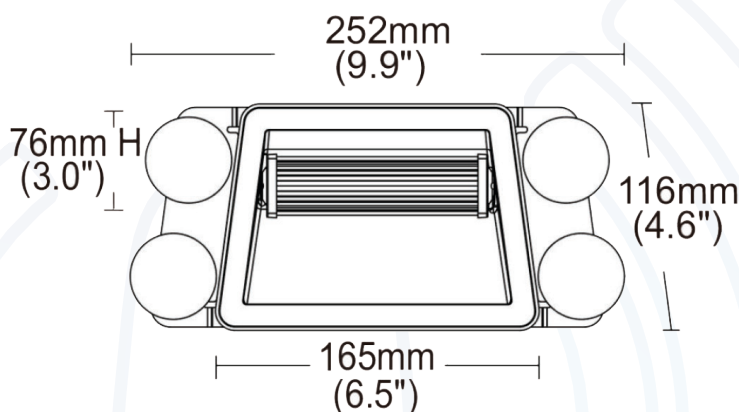


VSWD-DL18


STROBE SERIES

R10

R65



Part Number	+ Colour
VSWD-DL18R65-Colour	A = Amber
VSWD-DL18R65S-Colour/Colour	B = Blue

Flash Patterns	19 Patterns	Approvals	ECE R10, R65 XA2/XB2
Voltage	12-24v	IP Rating	IP67
LEDs	18 LEDs	Colours	
Mounting	Suction Cup	Additional Features	Can be synchronised
Dimensions	See above	Box Qty	
Housing Material	Polycarbonate	Lens Material	Polycarbonate