

PRODUCT CATALOGUE

www.vswd-ltd.co.uk

Updated : April 2024

VSWD is focused on bringing safety and warning products to all automotive sectors that are **innovative**, **certified** and **approved**.

We always have our customers in mind and we're **always competitive**.

SAFETY SHOULD NOT COME AT A PREMIUM

CONTACT US

Vehicle Safety and Warning Distribution Ltd
Unit 2A Follifoot Ridge Business Park
Pannal Road
Harrogate
HG3 1DP


Telephone: +44 (0) 113 4575540
Email: sales@vswd-ltd.co.uk

You can follow us on Social Media:

 @vehiclesafetyandwarning

 @VSWDVehicleSafe

 @VSWDVehicleSafe

 @vehicle-safety-and-warning-distribution-ltd

 @vswdltd



CONTENTS

PRODUCT CATEGORY

Page

BEACONS

VSWD-210	<u>4</u>
VSWD-211	<u>5</u>
VSWD-221	<u>6</u>
VSWD-231	<u>7</u>
VSWD-255	<u>8</u>
VSWD-209	<u>9</u>
VSWD-234	<u>10</u>
VSWD-235	<u>11</u>
VSWD-FLT278	<u>12</u>
VSWD-FLT280	<u>13</u>
VSWD-FLT241	<u>14</u>

STROBES

VSWD-HLED	<u>15</u>
VSWD-73	<u>16</u>
VSWD-705	<u>17</u>
VSWD-706	<u>18</u>
VSWD-707	<u>19</u>
VSWD-708	<u>20</u>
VSWD-709	<u>21</u>
VSWD-4H75	<u>22</u>
VSWD-C704	<u>23</u>
VSWD-C707	<u>24</u>
VSWD-C708	<u>25</u>
VSWD-HL300	<u>26</u>
VSWD-HL301	<u>27</u>
VSWD-HL305	<u>28</u>
VSWD-HIL308	<u>29</u>
VSWD-HIL310	<u>30</u>
VSWD-DL18	<u>31</u>

MINIBARS

VSWD-112	<u>32</u>
VSWD-113	<u>33</u>
VSWD-114	<u>34</u>
VSWD-116	<u>35</u>
VSWD-117	<u>36</u>
VSWD-138	<u>37</u>
VSWD-139	<u>38</u>
VSWD-156	<u>39</u>
VSWD-730	<u>40</u>
VSWD-736	<u>41</u>

LIGHTBARS

VSWD-740 BLACK	<u>42</u>
VSWD-740 CLEAR	<u>43</u>
VSWD-760	<u>44</u>
VSWD-770	<u>45</u>
VSWD-780	<u>46</u>

PRODUCT CATEGORY

Page

WORKLAMPS

VSWD-WL601	<u>47</u>
VSWD-WL602	<u>48</u>
VSWD-WL604	<u>49</u>
VSWD-WL605	<u>50</u>
VSWD-WL606	<u>51</u>
VSWD-WL610	<u>52</u>
VSWD-WL611	<u>53</u>
VSWD-WL614	<u>54</u>
VSWD-WL615	<u>55</u>
VSWD-WL617	<u>56</u>
VSWD-WL632	<u>57</u>
VSWD-WL634	<u>58</u>
VSWD-WL635	<u>59</u>
VSWD-WL620	<u>60</u>
VSWD-WL621W	<u>61</u>
VSWD-DL4800	<u>62</u>
VSWD-WL623	<u>63</u>
VSWD-WL626	<u>64</u>
VSWD-FLT620	<u>65</u>
VSWD-FLT621	<u>66</u>
VSWD-FLT622	<u>67</u>

INTERIOR LIGHTS

VSWD-INT130	<u>68</u>
VSWD-INT173	<u>69</u>
VSWD-INT300	<u>70</u>
VSWD-INT600	<u>71</u>
VSWD-INT310/ 510 / 1000	<u>72</u>
VSWD-PIR Series	<u>73</u>
VSWD-ML01	<u>74</u>

CV LIGHTING

VSWD-810	<u>75</u>
VSWD-848	<u>76</u>
VSWD-849	<u>77</u>
VSWD-853	<u>78</u>
VSWD-R65WTK	<u>79</u>
VSWD-820	<u>80</u>
VSWD-SL2800	<u>81</u>

ALARMS

VSWD-402	<u>82</u>
VSWD-406	<u>83</u>

BRACKETS

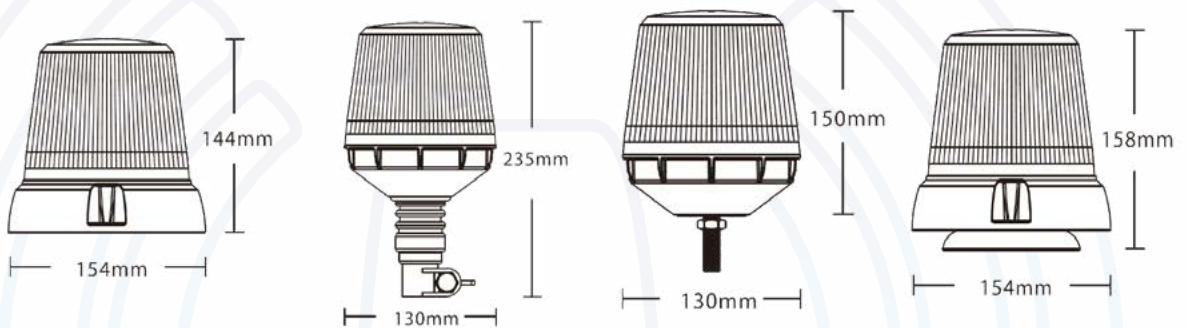
VSWD-01BRACKET	<u>84</u>
VSWD-BRACKET1	<u>85</u>
VSWD-BRACKET7	<u>86</u>
VSWD-BRACKET8	<u>87</u>

VSWD-210


BEACON SERIES

R10

R65



Part Number	Description
VSWD-210-3-A	3 Bolt Fixing Amber
VSWD-210-FD-A	Flexi Din Fixing - Amber
VSWD-210-1B-A	1 Bolt Fixing - Amber
VSWD-210-M-A	Magnetic Fixing - Amber

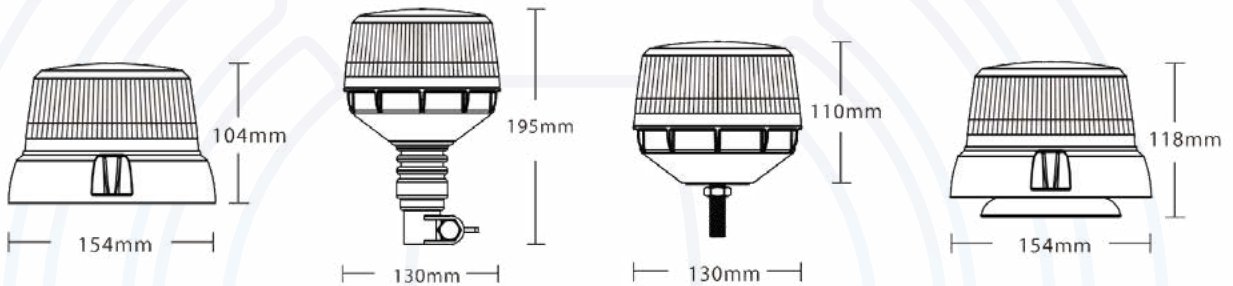
Flash Patterns	4 Patterns	Approvals	ECE R10 / ECE R65
Voltage	9-30v	IP Rating	IP67
LEDs	16 LEDs	Colours	
Mounting	See above	Additional Features	
Dimensions	See above	Box Qty	20
Housing Material	Polycarbonate	Lens Material	Polycarbonate

VSWD-211


BEACON SERIES

R10

R65



Part Number	Description
VSWD-211-3-A	3 Bolt Fixing Amber
VSWD-211-FD-A	Flexi Din Fixing - Amber
VSWD-211-1B-A	1 Bolt Fixing - Amber
VSWD-211-M-A	Magnetic Fixing - Amber

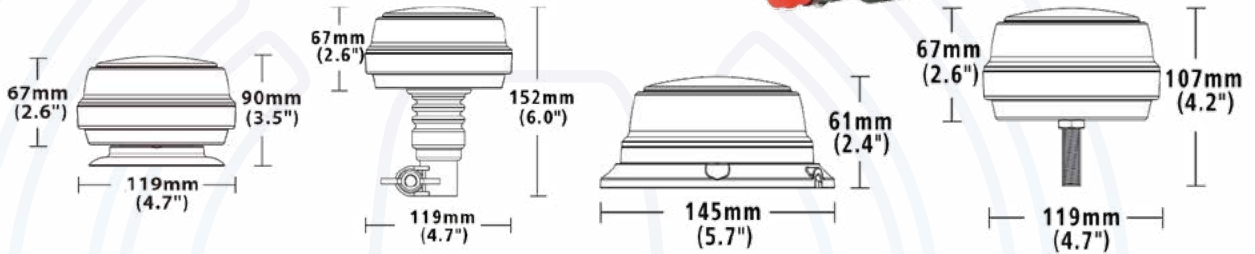
Flash Patterns	4 Patterns	Approvals	ECE R10 / ECE R65
Voltage	9-30v	IP Rating	IP67
LEDs	8 LEDs	Colours	
Mounting	See above	Additional Features	
Dimensions	See above	Box Qty	20
Housing Material	Polycarbonate	Lens Material	Polycarbonate

VSWD-221

BEACON SERIES

R10

R65



Part Number	Description
VSWD-221-1B-A	221 Series Beacon 1 Bolt Amber 12 LED
VSWD-221-3-A	221 Series Beacon 3 Bolt Amber 12 LED
VSWD-221-FD-A	221 Series Beacon Flexi Din Amber 12 LED
VSWD-221-M-A	221 Series Beacon Mag Amber 12LED

Flash Patterns	4 Patterns	Approvals	ECE R10 / ECE R65 TA1 UKCA
Voltage	10-30v	IP Rating	IP67
LEDs	12 LEDs	Colours	
Mounting	See above	Additional Features	ECE R65 includes rotating pattern
Dimensions	See above	Box Qty	20
Housing Material	Polycarbonate	Lens Material	Polycarbonate

VSWD-231


BEACON SERIES

R10

R65



Part Number	+ Base Type	+ Colour
VSWD-231L-Base-Colour	1 = 1 Bolt 3 = 3 Bolt M = Magnetic FD = Flexi Din	A = Amber B = Blue G = Green

Flash Patterns	7 Patterns	Approvals	ECE R10 (All) ECE R65 (Amber & Blue)
Voltage	9-30v	IP Rating	IP67
LEDs	18 LEDs	Colours	
Mounting	See above	Additional Features	
Dimensions	See above	Box Qty	20 (1 Bolt/Flexi) 30 (3 Bolt/Mag)
Housing Material	Aluminium	Lens Material	Polycarbonate

VSWD-255


BEACON SERIES

R10

R65



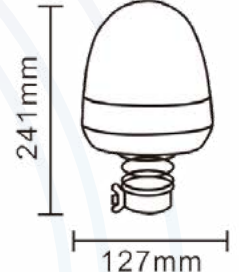
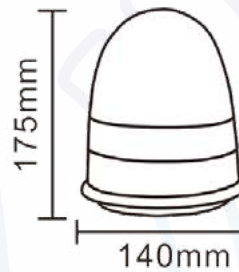
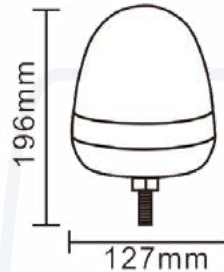
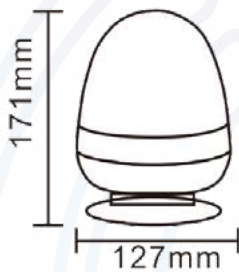
Part Number	Description
VSWD-255-1B-A	1 Bolt Fixing Amber
VSWD-255-FD-A	Flexi Din Fixing - Amber
VSWD-255-3-A	3 Bolt Fixing - Amber
VSWD-255-M-A	Magnetic Fixing - Amber

Flash Patterns	7 Patterns	Approvals	ECE R10, ECE R65, SAE J845 Class 1, ICAO CAP168
Voltage	9-30v	IP Rating	IP67
LEDs	24 LEDs	Colours	
Mounting	See above	Additional Features	Airport Approved
Dimensions	See above	Box Qty	30
Housing Material	Polycarbonate	Lens Material	Polycarbonate

VSWD-209

BEACON SERIES

R10



Part Number	+ Base Type	+ Colour
VSWD-209S-Base-Colour	E = 1 Bolt D = 3 Bolt C = Magnetic G = Flexi Din	A = Amber G = Green

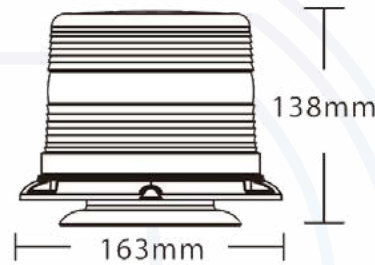
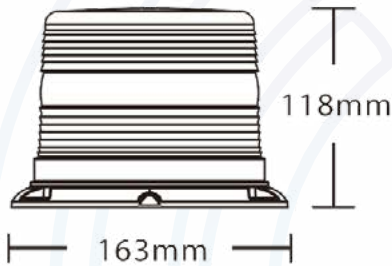
Flash Patterns	3 Patterns	Approvals	ECE R10
Voltage	9-30v	IP Rating	IP65
LEDs	60 LEDs	Colours	
Mounting	See above	Additional Features	
Dimensions	See above	Box Qty	20
Housing Material	Polycarbonate	Lens Material	Polycarbonate

VSWD-234


BEACON SERIES

R10

R65



Part Number	+ Base Type	+ Colour
VSWD-234-Base-Colour	3 = 3 Bolt Fixing M = Magnetic Fixing	A = Amber G = Green

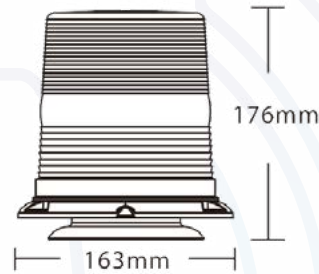
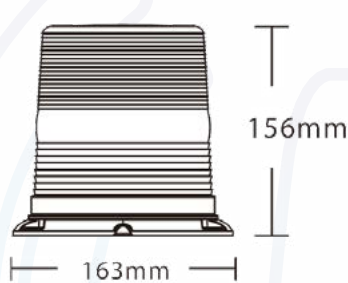
Flash Patterns	6 Patterns	Approvals	ECE R10 (All), ECE R65, SAE J845 Class 1 (Amber)
Voltage	12-48v	IP Rating	IP67
LEDs	48 LEDs	Colours	
Mounting	See above	Additional Features	
Dimensions	See above	Box Qty	12
Housing Material	Aluminium	Lens Material	Polycarbonate

VSWD-235

BEACON SERIES

R10

R65



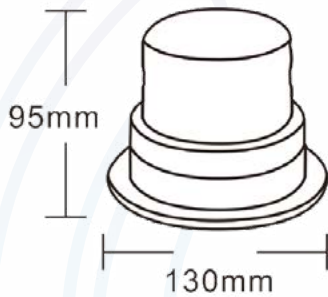
Part Number	+ Base Type	+ Colour
VSWD-235-Base-Colour	3 = 3 Bolt Fixing M = Magnetic Fixing	A = Amber G = Green

Flash Patterns	6 Patterns	Approvals	ECE R10 (All), ECE R65, SAE J845 Class 1 (Amber)
Voltage	12-48v	IP Rating	IP67
LEDs	60 LEDs	Colours	
Mounting	See above	Additional Features	
Dimensions	See above	Box Qty	12
Housing Material	Aluminium	Lens Material	Polycarbonate


VSWD-FLT278

BEACON SERIES

R10



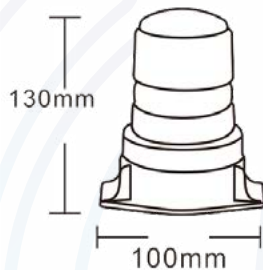
Part Number	Description
VSWD-FLT278-3-A	3 Bolt Fixing Amber

Flash Patterns	1 Pattern	Approvals	ECE R10 UKCA
Voltage	10-110v	IP Rating	IP65
LEDs	20 LEDs	Colours	
Mounting	See above	Additional Features	
Dimensions	See above	Box Qty	30
Housing Material	Polycarbonate	Lens Material	Polycarbonate


VSWD-FLT280

BEACON SERIES

R10



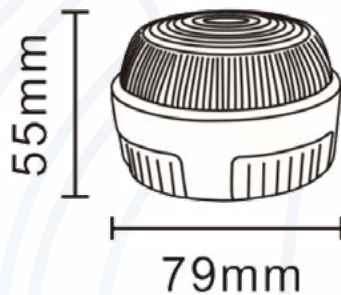
Part Number	Description
VSWD-FLT280-A	2 Bolt Fixing Amber

Flash Patterns	1 Pattern	Approvals	ECE R10 UKCA
Voltage	10-110v	IP Rating	IP65
LEDs	30 LEDs	Colours	
Mounting	See above	Additional Features	
Dimensions	See above	Box Qty	30
Housing Material	Polycarbonate	Lens Material	Polycarbonate


VSWD-FLT241

BEACON SERIES

R10



Part Number	Description
VSWD-FLT241-A	Bolt Fixing Amber
VSWD-FLT241-R	Bolt Fixing Red
VSWD-FLT241-G	Bolt Fixing Green

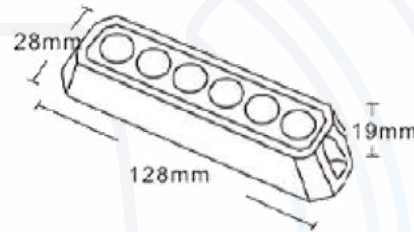
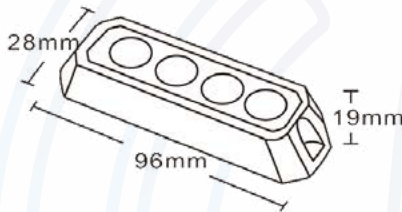
Flash Patterns	1 Pattern	Approvals	ECE R10 UKCA
Voltage	10-110v	IP Rating	IP67
LEDs	20 LEDs	Colours	
Mounting	See above	Additional Features	
Dimensions	See above	Box Qty	30
Housing Material	Polycarbonate	Lens Material	Polycarbonate

VSWD-HLED


STROBE SERIES

R10

R65



Part Number	Description
VSWD-4HLED-A	4 LED Amber
VSWD-6HLED-A	6 LED Amber

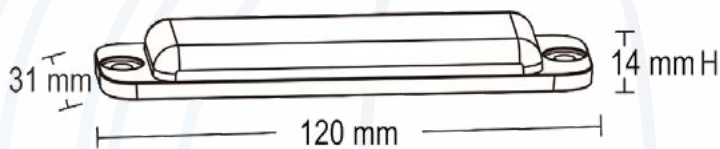
Flash Patterns	26 Patterns	Approvals	ECE R10 ECE R65
Voltage	9-30v	IP Rating	IP67
LEDs	4/6 LEDs	Colours	
Mounting	Bolt	Additional Features	Sync wire
Dimensions	See above	Box Qty	50
Housing Material	Aluminium	Lens Material	Polycarbonate

VSWD-73

STROBE SERIES

R10

R65



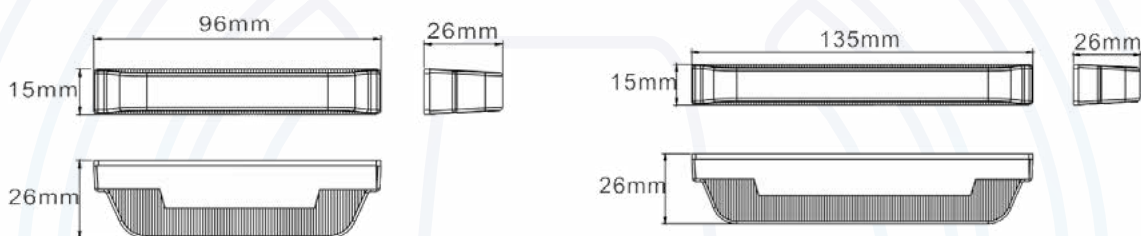
Part Number		Description	
VSWD-6H73-Colour VSWD-12H73S-Colour/Colour		A = Amber B = Blue R = Red G = Green W = White	
Flash Patterns	26 Patterns / 21 Patterns	Approvals	ECE R10 (All) ECE R65 (Amber & Blue)
Voltage	9-30v	IP Rating	IP67
LEDs	6/12 LEDs	Colours	
Mounting	Bolt	Additional Features	Sync wire
Dimensions	See above	Box Qty	50
Housing Material	Aluminium	Lens Material	Polycarbonate

VSWD-705

STROBE SERIES

R10

R65



Part Number	+ Colour
VSWD-4H705-Colour	A = Amber
VSWD-6H705-Colour	B = Blue

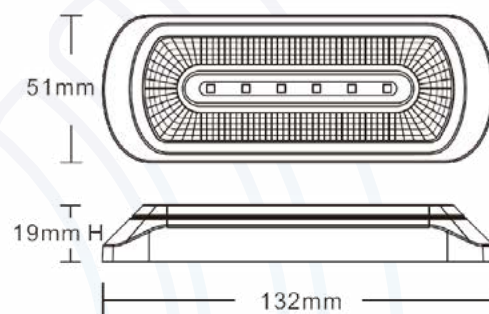
Flash Patterns	21 Patterns	Approvals	ECE R10, ECE R65 XA1/XB1
Voltage	9-30v	IP Rating	IP67
LEDs	4/6 LEDs	Colours	
Mounting	Bolt or Bracket	Additional Features	Sync wire
Dimensions	See above	Box Qty	50
Housing Material	Aluminium	Lens Material	Polycarbonate

VSWD-706


STROBE SERIES

R10

R65



Part Number	Description
VSWD-6H706A-ST	6 LED Amber Warning/ 18 LED Red Tail
VSWD-6H706A-DI	6 LED Amber Warning/18 LED Amber Directional Indicator
VSWD-6H706A-RV	6 LED Amber Warning/18 LED White Reverse

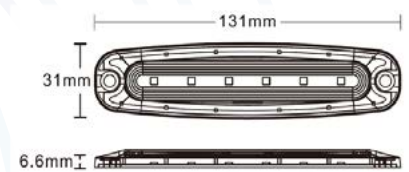
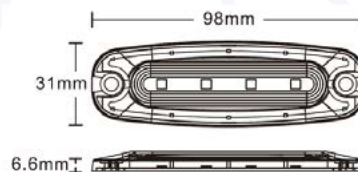
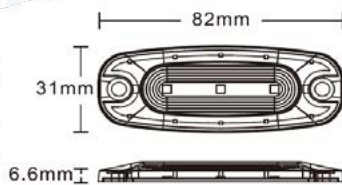
Flash Patterns	21 Patterns	Approvals	ECE R10, ECE R65 XAI, ECE R148
Voltage	9-30v	IP Rating	IP67
LEDs	6 + 18 LEDs	Colours	
Mounting	Bolt	Additional Features	Sync wire
Dimensions	See above	Box Qty	50
Housing Material	Aluminium	Lens Material	Polycarbonate

VSWD-707


STROBE SERIES

R10

R65



Part Number	+ Colour
VSWD-3H707-Colour	A = Amber
VSWD-4H707-Colour	B = Blue
VSWD-6H707-Colour	R = Red
	W = White

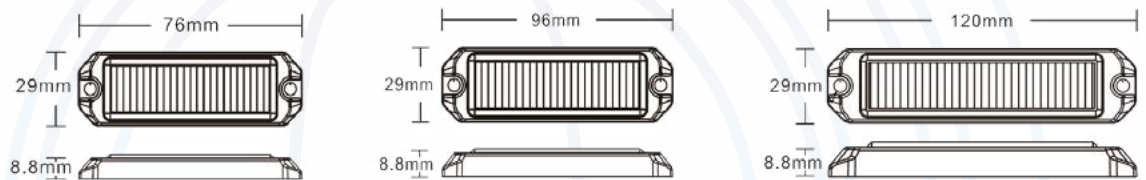
Flash Patterns	26 Patterns	Approvals	ECE R10 (All) ECE R65 (Amber & Blue)
Voltage	9-30v	IP Rating	IP67
LEDs	3/4/6 LEDs	Colours	
Mounting	Bolt or self adhesive	Additional Features	Sync wire
Dimensions	See above	Box Qty	50
Housing Material	Aluminium	Lens Material	Polycarbonate

VSWD-708

STROBE SERIES

R10

R65



Part Number	+ Colour
VSWD-3H708-Colour	A = Amber
VSWD-4H708-Colour	B = Blue
VSWD-6H708-Colour	R = Red
VSWD-12H708-Colour/Colour	G = Green
	W = White

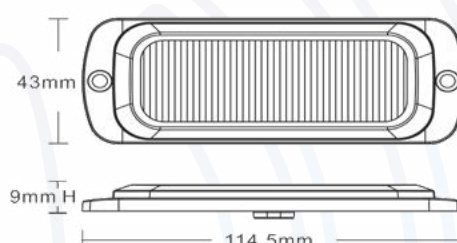
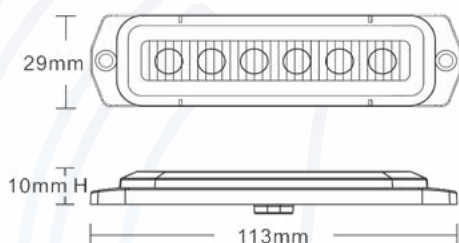
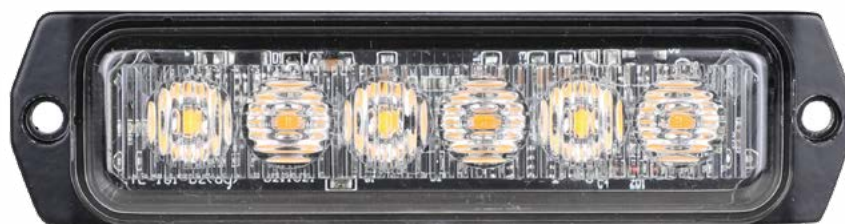
Flash Patterns	26 Patterns, 21 Dual Colour	Approvals	ECE R10 (All) ECE R65 (Amber & Blue)
Voltage	9-30v	IP Rating	IP67
LEDs	3/4/6/12 LEDs	Colours	
Mounting	Bolt	Additional Features	Sync wire
Dimensions	See above	Box Qty	50
Housing Material	Aluminium	Lens Material	Polycarbonate

VSWD-709


STROBE SERIES

R10

R65



Part Number	+ Colour
VSWD-6H709-Colour VSWD-12H709-Colour	A = Amber B = Blue R = Red W = White

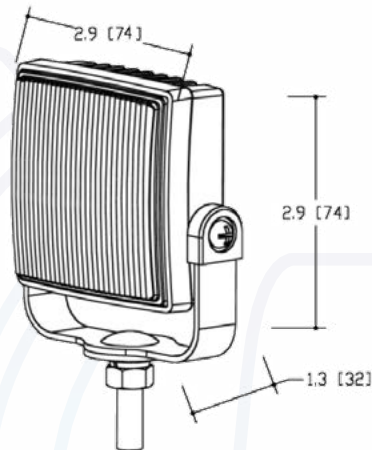
Flash Patterns	26/21 Patterns	Approvals	ECE R10 (All) ECE R65 (Amber & Blue) SAE J595 (Amber)
Voltage	9-30v	IP Rating	IP69k
LEDs	6/12 LEDs	Colours	
Mounting	Bolt	Additional Features	Sync wire
Dimensions	See above	Box Qty	50
Housing Material	Aluminium	Lens Material	Polycarbonate

VSWD-4H75


STROBE SERIES

R10

R65



Part Number	Description
VSWD-4H75-A	4 LED Amber

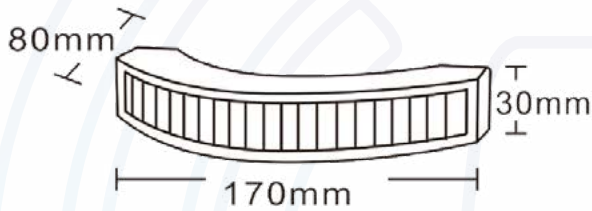
Flash Patterns	26 Patterns	Approvals	ECE R10 ECE R65
Voltage	9-30v	IP Rating	IP67
LEDs	4 LEDs	Colours	
Mounting	Bolt or Bracket	Additional Features	Sync wire
Dimensions	See above	Box Qty	30
Housing Material	Aluminium	Lens Material	Polycarbonate

VSWD-C704

STROBE SERIES

R10

R65



Part Number	Description
VSWD-C704-A	12 LED Corner Strobe Amber
VSWD-C704-B	12 LED Corner Strobe Blue

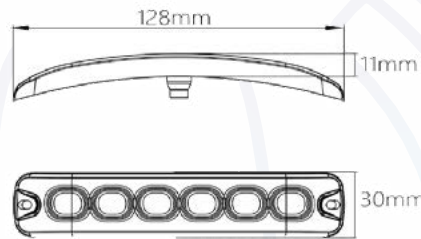
Flash Patterns	26 Patterns	Approvals	ECE R10 ECE R65
Voltage	9-30v	IP Rating	IP67
LEDs	12 LEDs	Colours	
Mounting	Bolt or Bracket	Additional Features	Sync wire
Dimensions	See above	Box Qty	30
Housing Material	Polycarbonate	Lens Material	Polycarbonate

VSWD-C707


STROBE SERIES

R10

R65



Part Number	Description
VSWD-6C707-A	6 LED Curved Strobe

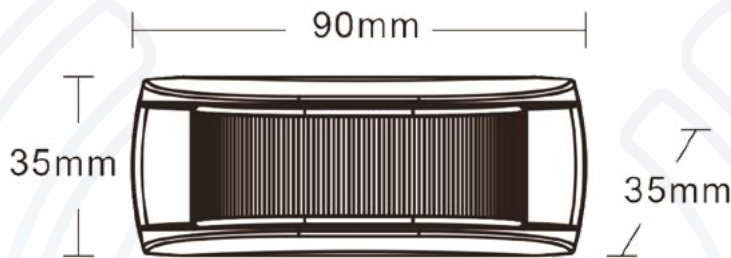
Flash Patterns	19 Patterns	Approvals	ECE R10 ECE R65 SAEJ845
Voltage	9-30v	IP Rating	IP67
LEDs	6 LEDs	Colours	
Mounting	Screws or 3M Adhesive	Additional Features	Sync wire
Dimensions	See above	Box Qty	100
Housing Material	Aluminium	Lens Material	Polycarbonate

VSWD-C708


STROBE SERIES

R10

R65



Part Number	Description
VSWD-C708-AC	Curved LED Lite 12 LED AMBER CLEAR

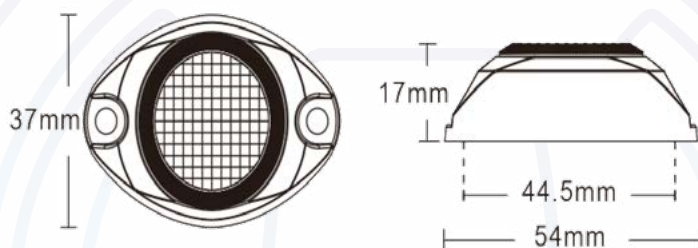
Flash Patterns	21 Patterns	Approvals	ECE R10, ECE R65 XA1 , HTA1 TA2
Voltage	10-30v	IP Rating	IP69K
LEDs	12 LEDs	Colours	
Mounting	Screws and bracket	Additional Features	Compact Bracket Supplied
Dimensions	See above	Box Qty	30
Housing Material	Polycarbonate	Lens Material	Polycarbonate

VSWD-HL300


STROBE SERIES

R10

R65



Part Number	+ Colour
VSWD-HL300-Colour	A = Amber B = Blue R = Red W = White

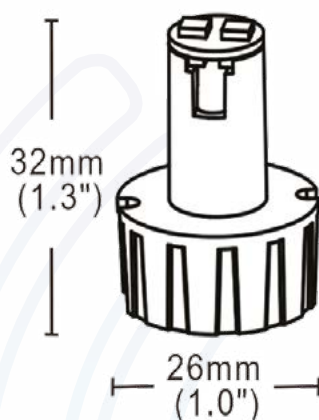
Flash Patterns	21 Patterns	Approvals	ECE R10 (All) ECE R65 (Amber & Blue)
Voltage	9-30v	IP Rating	IP69K
LEDs	4 LEDs	Colours	
Mounting	Screws	Additional Features	Sync wire
Dimensions	See above	Box Qty	50
Housing Material	Aluminium	Lens Material	Polycarbonate

VSWD-HL301


STROBE SERIES

R10

R65



Part Number	+ Colour
VSWD-HL301-Colour	A = Amber B = Blue R = Red W = White

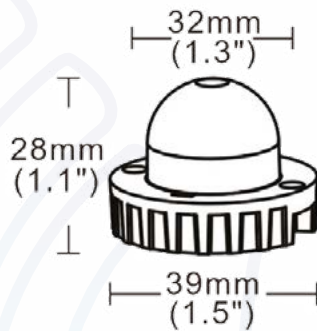
Flash Patterns	21 Patterns	Approvals	ECE R10 (All) ECE R65 (Amber)
Voltage	12-24v	IP Rating	N/A
LEDs	2 LEDs	Colours	
Mounting	Self Adhesive or Bolts	Additional Features	Sync wire
Dimensions	See above	Box Qty	50
Housing Material	Aluminium	Lens Material	N/A

VSWD-HL305

STROBE SERIES

R10

R65



Part Number	+ Colour
VSWD-HL305-Colour	A = Amber B = Blue R = Red W = White

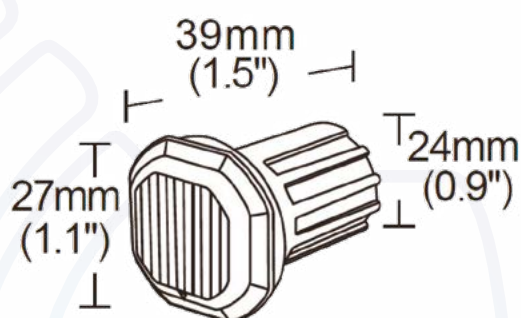
Flash Patterns	21 Patterns	Approvals	ECE R10 (All) ECE R65 (Amber)
Voltage	12-24v	IP Rating	IP67
LEDs	6 LEDs	Colours	
Mounting	Bolts with Black Cover	Additional Features	Sync wire
Dimensions	See above	Box Qty	50
Housing Material	Aluminium	Lens Material	Polycarbonate

VSWD-HIL308


STROBE SERIES

R10

R65



Part Number	+ Colour
VSWD-HIL308-Colour	A = Amber B = Blue R = Red W = White

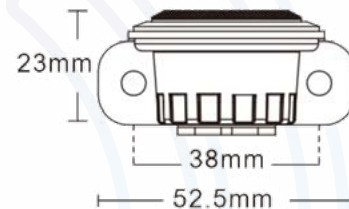
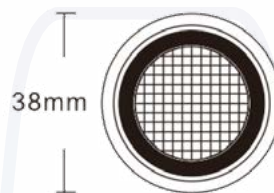
Flash Patterns	21 Patterns	Approvals	ECE R10 (All) ECE R65 (Amber)
Voltage	12-24v	IP Rating	IP67
LEDs	4 LEDs	Colours	
Mounting	Bracket	Additional Features	Sync wire
Dimensions	See above	Box Qty	50
Housing Material	Aluminium	Lens Material	Polycarbonate

VSWD-HIL310

STROBE SERIES

R10

R65



Part Number	+ Colour
VSWD-HIL310-Colour	A = Amber B = Blue R = Red W = White

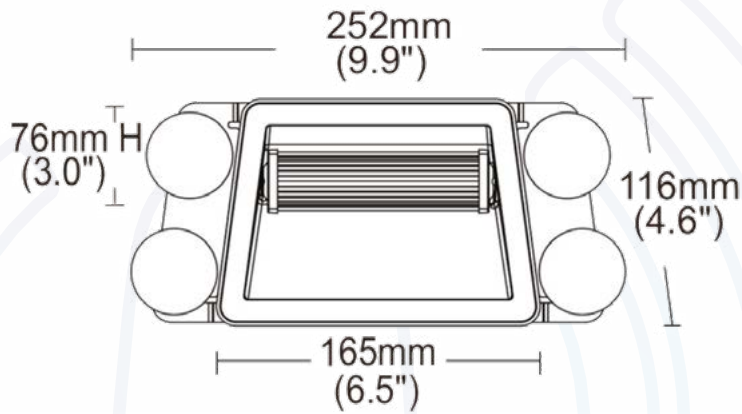
Flash Patterns	21 Patterns	Approvals	ECE R10 (All) ECE R65 (Amber & Blue)
Voltage	9-30v	IP Rating	IP69K
LEDs	4 LEDs	Colours	
Mounting	Surface or Bracket	Additional Features	Sync wire
Dimensions	See above	Box Qty	50
Housing Material	Aluminium	Lens Material	Polycarbonate

VSWD-DL18

STROBE SERIES

R10

R65



Part Number	+ Colour
VSWD-DL18R65-Colour	A = Amber
VSWD-DL18R65S-Colour/Colour	B = Blue

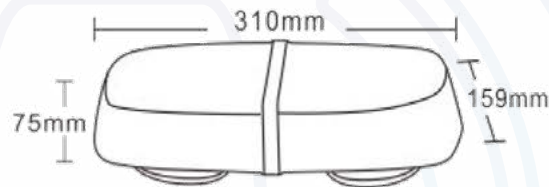
Flash Patterns	19 Patterns	Approvals	ECE R10, R65 XA2/XB2
Voltage	12-24v	IP Rating	IP67
LEDs	18 LEDs	Colours	
Mounting	Suction Cup	Additional Features	Can be synchronised
Dimensions	See above	Box Qty	
Housing Material	Polycarbonate	Lens Material	Polycarbonate

VSWD-112


MINI BAR SERIES

R10

R65



Part Number	Description
VSWD-112-1B-A	1 Bolt Fixing, Amber
VSWD-112-M-A	Magnetic Fixing, Amber

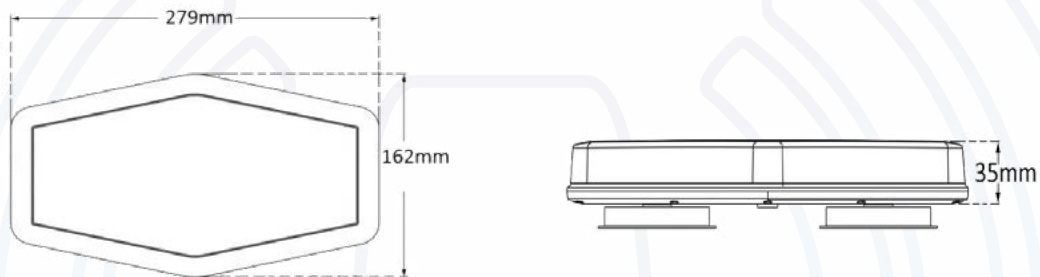
Flash Patterns	8 Patterns	Approvals	ECE R10 ECE R65
Voltage	9-30v	IP Rating	IP65
LEDs	72 LEDs	Colours	
Mounting	1 Bolt or Magnetic	Additional Features	Sync wire, Cable Loom & Switch included
Dimensions	See above	Box Qty	12
Housing Material	Polycarbonate	Lens Material	Polycarbonate

VSWD-113

MINI BAR SERIES

R10

R65



Part Number	Description
VSWD-113-1B-A	1 Bolt Fixing, Amber
VSWD-113-M-A	Magnetic Fixing, Amber

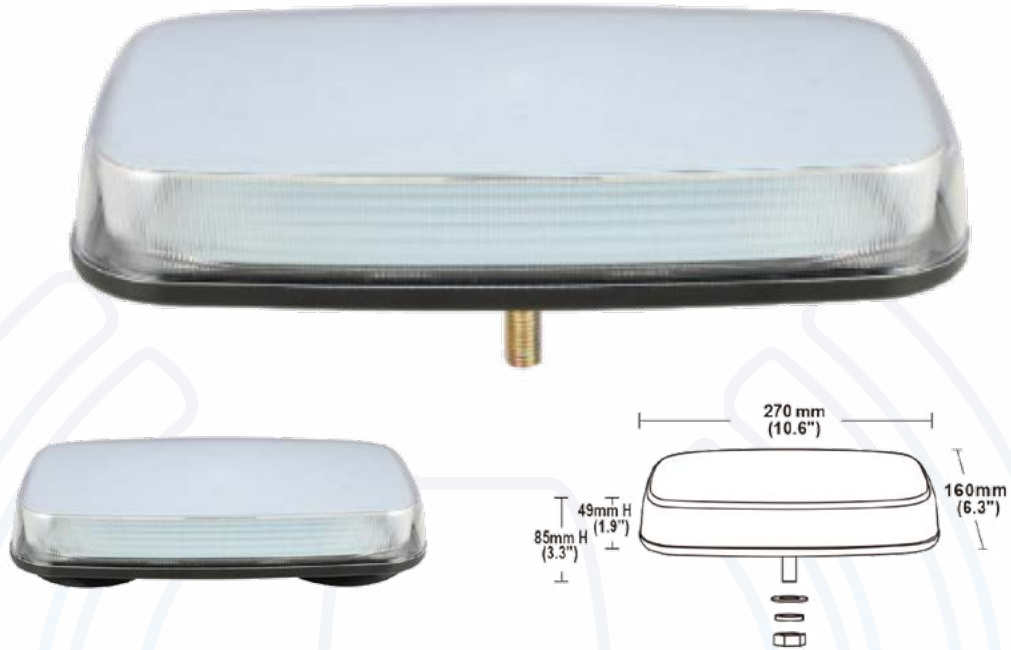
Flash Patterns	26 Patterns	Approvals	ECE R10 ECE R65 SAE J845 Class 1
Voltage	9-30v	IP Rating	IP67
LEDs	48 LEDs	Colours	
Mounting	1 Bolt or Magnetic	Additional Features	Sync wire, Cable Loom & Switch included
Dimensions	See above	Box Qty	12
Housing Material	Polycarbonate	Lens Material	Polycarbonate

VSWD-114


MINI BAR SERIES

R10

R65



Part Number	Description
VSWD-114-1B-A	114 Mini Bar 270mm Amb Led/Clear Lens 1 bolt
VSWD-114-M-A	114 Mini Bar 270mm Amb Led/Clear Lens Magnetic

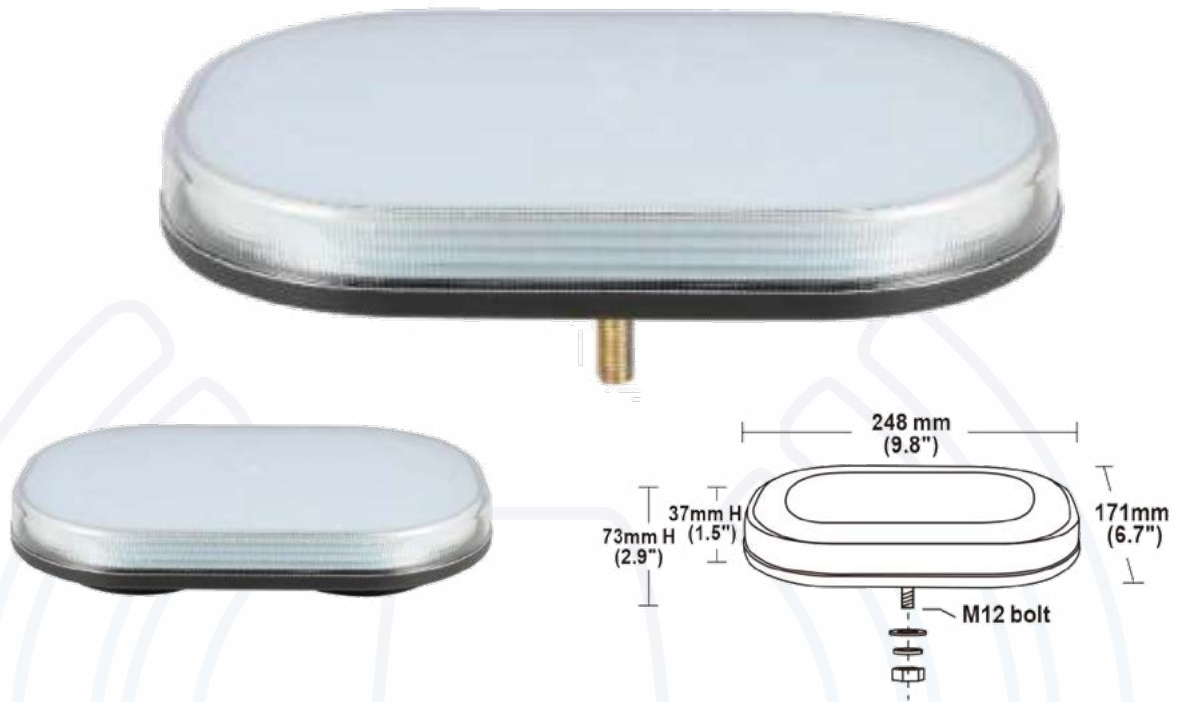
Flash Patterns	26 Patterns	Approvals	ECE R10 ECE R65 TA1 UKCA
Voltage	10-30v	IP Rating	IP67
LEDs	60 LEDs	Colours	
Mounting	See above	Additional Features	Sync wire, Cable Loom & Switch included
Dimensions	See above	Box Qty	12
Housing Material	Polycarbonate	Lens Material	Polycarbonate

VSWD-116


MINI BAR SERIES

R10

R65



Part Number	Description
VSWD-116-1B-A	116 Mini Bar 248mm Amb Led/Clear Lens 1 bolt
VSWD-116-M-A	116 Mini Bar 248mm Amb Led/Clear Lens Magnetic

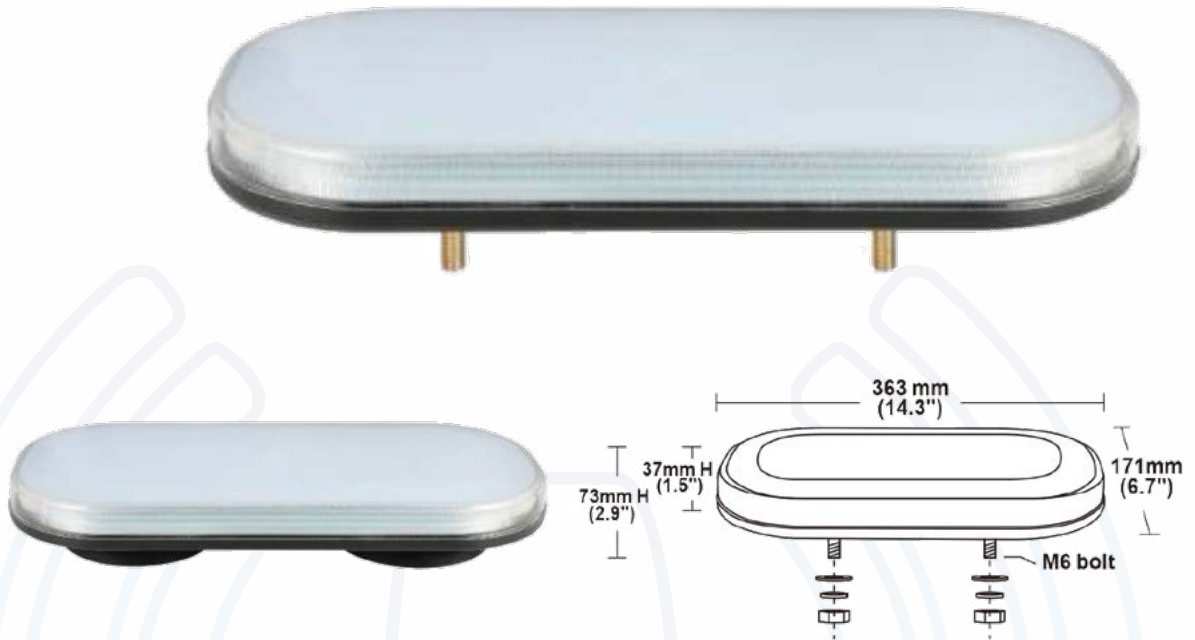
Flash Patterns	26 Patterns	Approvals	ECE R10 ECE R65 TA2 UKCA
Voltage	10-30v	IP Rating	IP67
LEDs	60 LEDs	Colours	
Mounting	See above	Additional Features	Sync wire, Cable Loom & Switch included. Smoked lens option available.
Dimensions	See above	Box Qty	12
Housing Material	Polycarbonate	Lens Material	Polycarbonate

VSWD-117

MINI BAR SERIES

R10

R65



Part Number	Description
VSWD-117-1B-A	117 Mini Bar 363mm 1 Bolt Amber
VSWD-117-2B-A	117 Mini Bar 363mm 2 Bolt Amber
VSWD-117M-A	117 Mini Bar 363mm Mag Amber

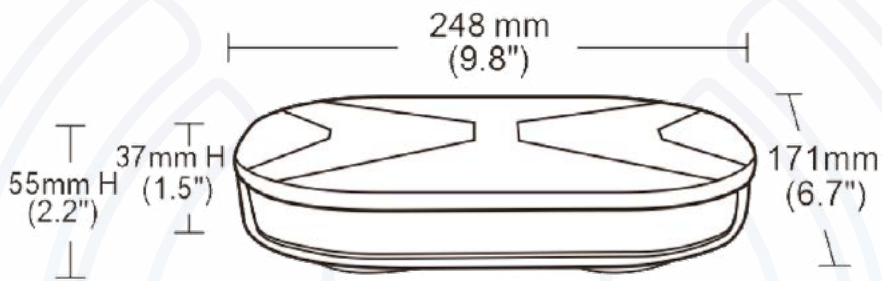
Flash Patterns	26 Patterns	Approvals	ECE R10 ECE R65 TA2 UKCA
Voltage	10-30v	IP Rating	IP67
LEDs	72 LEDs	Colours	
Mounting	See above	Additional Features	Sync wire. Smoked lens option available.
Dimensions	See above	Box Qty	12
Housing Material	Polycarbonate	Lens Material	Polycarbonate

VSWD-138

MINI BAR SERIES

R10

R65



Part Number	Description
VSWD-138-1B-A	138 Mini Bar 248mm 1 Bolt Amber
VSWD-138M-A	138 Mini Bar 248mm Magnetic Amber

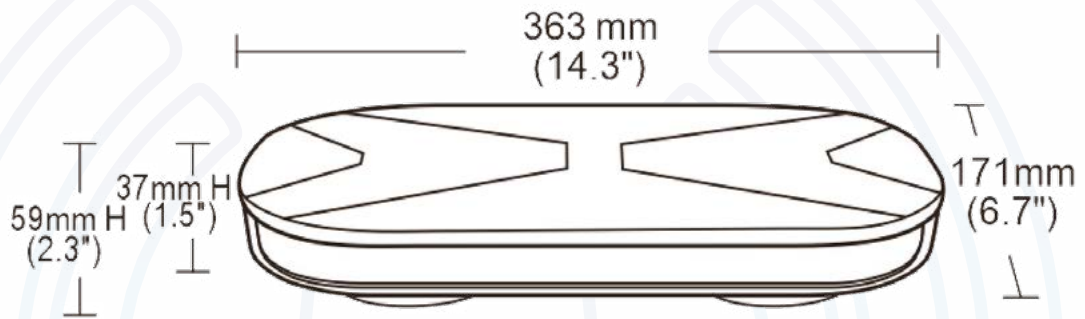
Flash Patterns	26 Patterns	Approvals	ECE R10, R65 TA2
Voltage	12-24v	IP Rating	IP67
LEDs	60 LEDs	Colours	
Mounting	1 Bolt / Mag	Additional Features	Black lid
Dimensions	See above	Box Qty	12
Housing Material	Polycarbonate	Lens Material	Polycarbonate

VSWD-139

MINI BAR SERIES

R10

R65



Part Number	Description
VSWD-139-1B-A	139 Mini Bar 363mm 1 Bolt Amber
VSWD-139M-A	139 Mini Bar 363mm Magnetic Amber

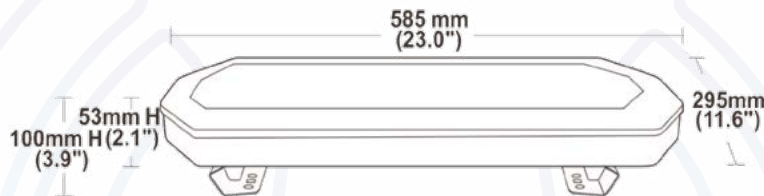
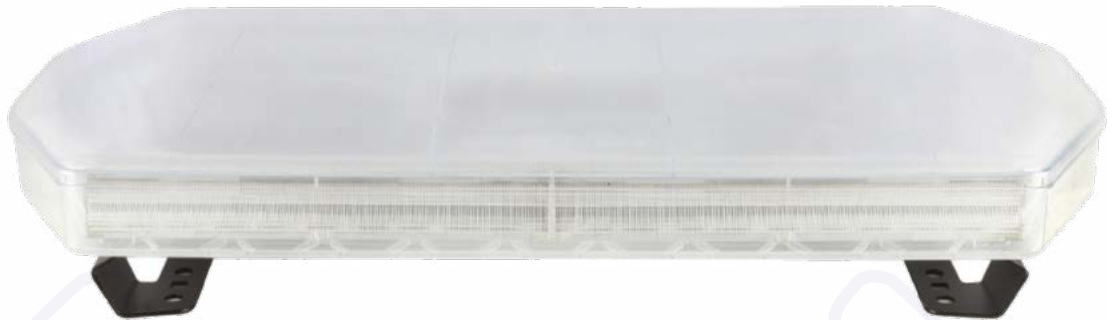
Flash Patterns	26 Patterns	Approvals	ECE R10, R65 TA2
Voltage	12-24v	IP Rating	IP67
LEDs	72 LEDs	Colours	
Mounting	1 Bolt / Mag	Additional Features	Black lid
Dimensions	See above	Box Qty	6
Housing Material	Polycarbonate	Lens Material	Polycarbonate

VSWD-156


MINI BAR SERIES

R10

R65



Part Number	Description
VSWD-156-A	VSWD-156-A 2FT Light Bar Amber 4 Bolt Fixing

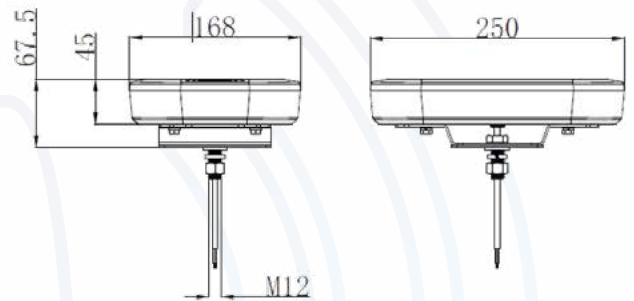
Flash Patterns	26 Patterns	Approvals	ECE R10 ECE R65
Voltage	9-30v	IP Rating	IP67
LEDs	200 LEDs	Colours	
Mounting	4 Bolt	Additional Features	
Dimensions	See above	Box Qty	3
Housing Material	Polycarbonate	Lens Material	Polycarbonate

VSWD-730


MINI BAR SERIES

R10

R65



Part Number	Description
VSWD-730-1B-A VSWD-MB-BR4	250mm, 34 LED Amber Black Lid 1 Bolt 4 Bolt Bracket Feet

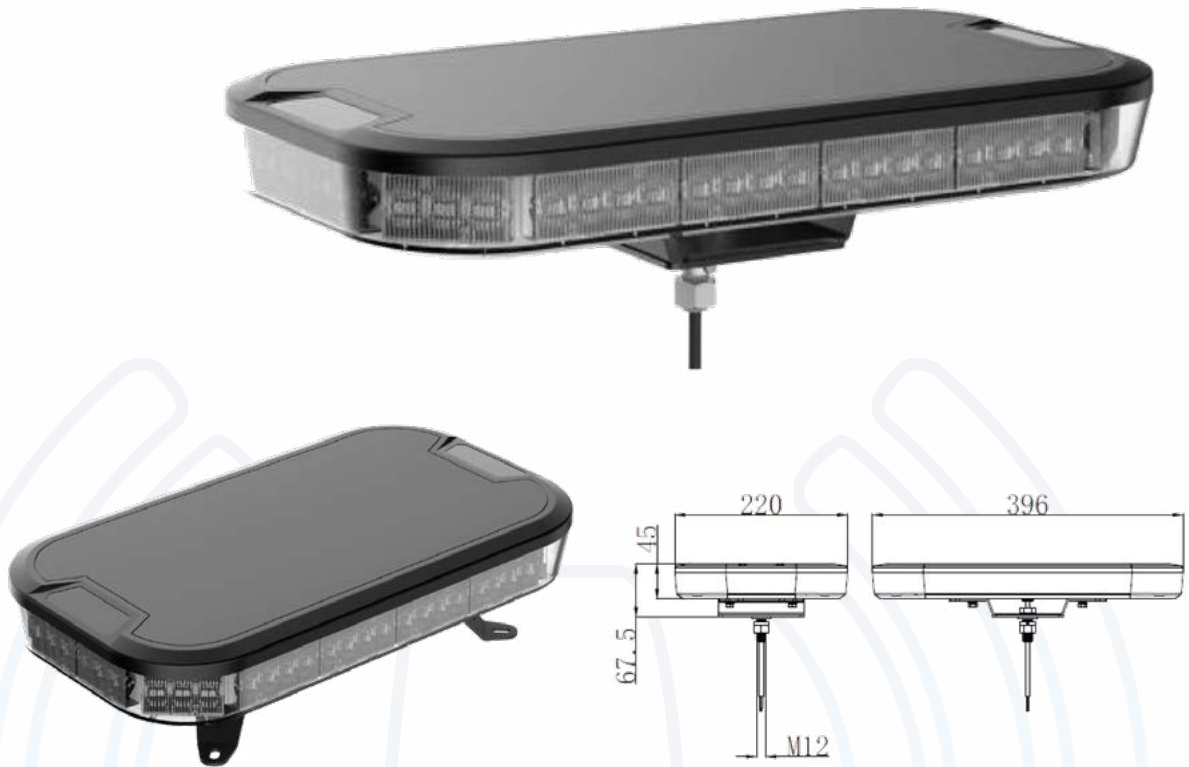
Flash Patterns	19 Patterns	Approvals	ECE R10 ECE R65 SAE J595
Voltage	9-30v	IP Rating	IP67
LEDs	34 LEDs	Colours	
Mounting	Bolt or Bracket	Additional Features	
Dimensions	250 x 168 x 45 mm	Box Qty	16
Housing Material	Polycarbonate	Lens Material	Polycarbonate

VSWD-736

MINI BAR SERIES

R10

R65



Part Number	Description
VSWD-736-1B-A VSWD-MB-BR4	396mm, 56 LED Amber Black Lid 1 Bolt 4 Bolt Bracket Feet

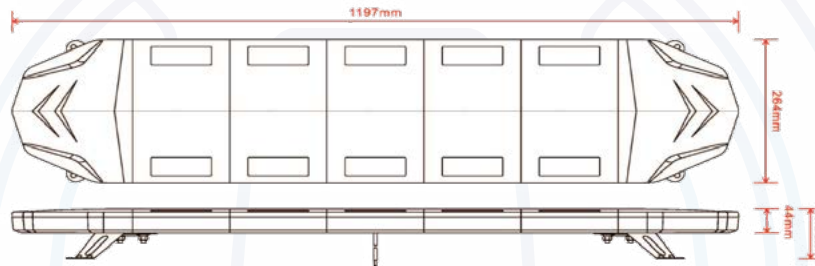
Flash Patterns	19 Patterns	Approvals	ECE R10 ECE R65 SAE J595
Voltage	9-30v	IP Rating	IP67
LEDs	56 LEDs	Colours	
Mounting	Bolt or Bracket	Additional Features	
Dimensions	396 x 220 x 45 mm	Box Qty	10
Housing Material	Polycarbonate	Lens Material	Polycarbonate

VSWD-740 BLACK


LIGHTBAR SERIES

R10

R65



Part Number	Description
VSWD-741-A	557mm Amber, Black Lid
VSWD-742-A	877mm Amber, Black Lid
VSWD-743-A	1197mm Amber, Black Lid
VSWD-744-A	1357mm Amber, Black Lid
VSWD-745-A	1517mm Amber, Black Lid
VSWD-746-A	1677mm Amber, Black Lid

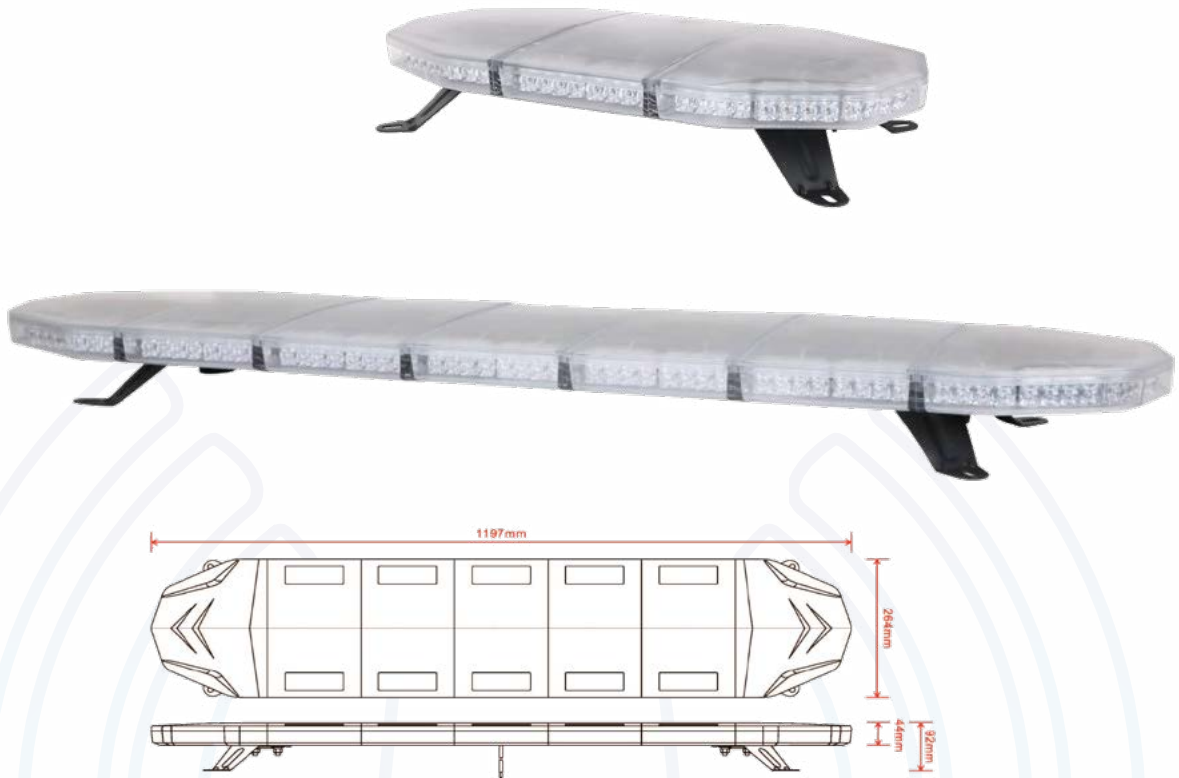
Flash Patterns	18 Patterns	Approvals	ECE R10 ECE R65 SAE J845
Voltage	9-30v	IP Rating	IP67
LEDs	64/96/128/144/160/176 LEDs	Colours	
Mounting	Flexible Bracket	Additional Features	
Dimensions	See above	Box Qty	2 (1-744/5/6)
Housing Material	Polycarbonate + Aluminium	Lens Material	Polycarbonate

VSWD-740 CLEAR

LIGHTBAR SERIES

R10

R65



Part Number	Description
VSWD-741-AC	557mm Amber, Clear Lid
VSWD-742-AC	877mm Amber, Clear Lid
VSWD-743-AC	1197mm Amber, Clear Lid
VSWD-744-AC	1357mm Amber, Clear Lid
VSWD-745-AC	1517mm Amber, Clear Lid
VSWD-746-AC	1677mm Amber, Clear Lid

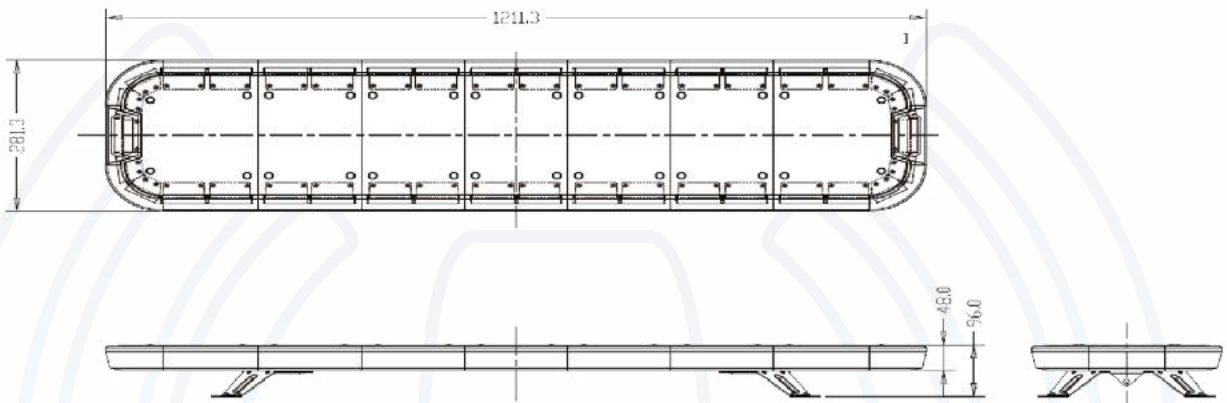
Flash Patterns	18 Patterns	Approvals	ECE R10 ECE R65 SAE J845
Voltage	9-30v	IP Rating	IP67
LEDs	64/96/128/144/160/176 LEDs	Colours	
Mounting	Flexible Bracket	Additional Features	
Dimensions	See above	Box Qty	2 (1-744/5/6)
Housing Material	Polycarbonate + Aluminium	Lens Material	Polycarbonate

VSWD-760

LIGHTBAR SERIES

R10

R65



Part Number	Description
VSWD-763-A-STT	760 Series 1211MM STT Bar 168W

Flash Patterns	18 Patterns	Approvals	ECE R10 ECE R65 Class 2 R148
Voltage	10-30v	IP Rating	IP67
LEDs	272 LEDs	Colours	
Mounting	Bracket	Additional Features	Stop, Tail, Turn Inc
Dimensions	See above	Box Qty	2
Housing Material	Polycarbonate See above	Lens Material	Polycarbonate

VSWD-770


LIGHTBAR SERIES

R10

R65



Part Number	Description
VSWD-771-A	770 Series 600MM Amber/Clear 108LED
VSWD-772-A	770 Series 900MM Amber/Clear 156LED
VSWD-773-A	770 Series 1200MM Amber/Clear 204LED
VSWD-775-A	770 Series 1500MM Amber/Clear 252LED

Flash Patterns	27 Patterns	Approvals	ECE R10 ECE R65 Class 1/2 Meets CAP168
Voltage	12-24v	IP Rating	IP67
LEDs	See above	Colours	
Mounting	Bracket	Additional Features	Magnet available 600mm
Dimensions	100mm wide 45mm deep	Box Qty	1
Housing Material	Polycarbonate	Lens Material	Polycarbonate

VSWD-780


LIGHTBAR SERIES

R10

R65



Part Number	Description
VSWD-781-A	780 Series 600mm Amber Black Lid 164 LEDs
VSWD-782-A	780 Series 900mm Amber Black Lid 224 LEDs
VSWD-783-A	780 Series 1200mm Amber Black Lid 284 LEDs
VSWD-785-A	780 Series 1500mm Amber Black Lid 344 LEDs
VSWD-786-A	780 Series 1800mm Amber Black Lid 404 LEDs

Flash Patterns	27 Patterns	Approvals	ECE R10, R65 TA2 Meets CAP168
Voltage	12-24v	IP Rating	IP67
LEDs	See above	Colours	
Mounting	Bracket Mount	Additional Features	Built in traffic director
Dimensions	215mmWide 44mm Deep	Box Qty	Various
Housing Material	Polycarbonate	Lens Material	Polycarbonate

VSWD-WL601

WORKLAMPS

R10

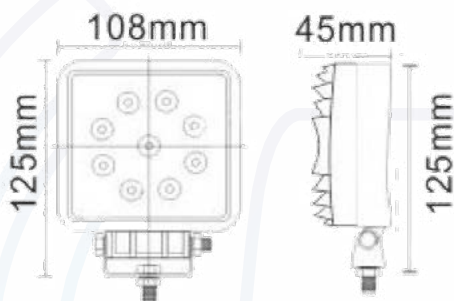


Part Number		Description	
VSWD-WL601-S		18W Rect Lamp - Spot Beam	
Lumens	1260	Approvals	ECE R10 UKCA
Voltage	12-80v	IP Rating	IP67
LEDs	6 LEDs	Beam Pattern	Spot
Mounting	Bracket	Additional Features	
Dimensions	See above	Box Qty	30
Housing Material	Aluminium	Lens Material	Polycarbonate

VSWD-WL602

WORKLAMPS

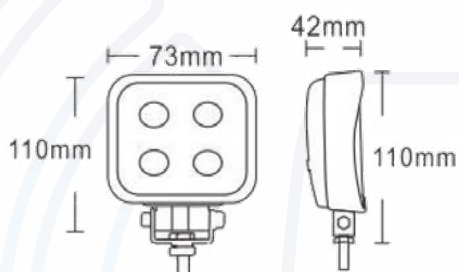
R10



Part Number		Description	
VSWD-WL602-F		27w Square Lamp - Flood Beam	
Lumens	1400	Approvals	ECE R10 UKCA
Voltage	12-80v	IP Rating	IP67
LEDs	9 LEDs	Beam Pattern	Flood
Mounting	Bracket	Additional Features	
Dimensions	See above	Box Qty	30
Housing Material	Aluminium	Lens Material	PMMA

VSWD-WL604

WORKLAMPS

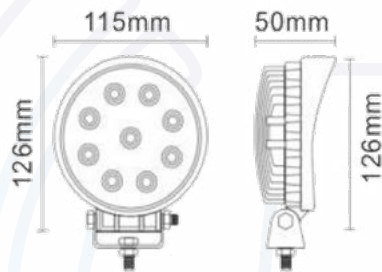


Part Number		Description	
VSWD-WL604-S		12w Square Lamp - Spot Beam	
Lumens	1080	Approvals	ECE R10 UKCA
Voltage	12-80v	IP Rating	IP67
LEDs	4 LEDs	Beam Pattern	Spot
Mounting	Bracket	Additional Features	
Dimensions	See above	Box Qty	50
Housing Material	Aluminium	Lens Material	PMMA

VSWD-WL605

WORKLAMPS

R10



Part Number		Description	
VSWD-WL605-F		27w Round Lamp - Flood Beam	
Lumens	1400	Approvals	ECE R10 UKCA
Voltage	12-80v	IP Rating	IP67
LEDs	9 LEDs	Beam Pattern	Flood
Mounting	Bracket	Additional Features	
Dimensions	See above	Box Qty	30
Housing Material	Aluminium	Lens Material	PMMA

VSWD-WL606

WORKLAMPS

R10

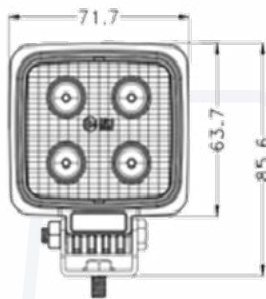
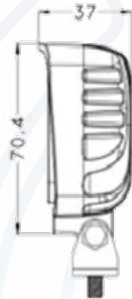


Part Number	Description
VSWD-WL606-F	27w Round Lamp - Flood Beam with handle, mag base and plug

Lumens	1400	Approvals	ECE R10 UKCA
Voltage	10-80v	IP Rating	IP67
LEDs	9 LEDs	Beam Pattern	Flood
Mounting	Bracket	Additional Features	Handle, Mag Base, Cigarette Plug
Dimensions	See above	Box Qty	20
Housing Material	Aluminium	Lens Material	PMMA

VSWD-WL610

WORKLAMPS



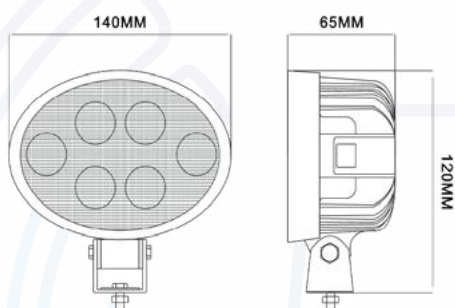
Part Number	Description
VSWD-WL610-F-AMP	12w Square Lamp R23 Amp - Flood Beam with amp connector

Lumens	820	Approvals	ECE R10 R23
Voltage	9-32v	IP Rating	IP68
LEDs	4 LEDs	Beam Pattern	Flood
Mounting	Bracket	Additional Features	AMP Connector
Dimensions	See above	Box Qty	40
Housing Material	Aluminium	Lens Material	Polycarbonate

VSWD-WL611

WORKLAMPS

R10



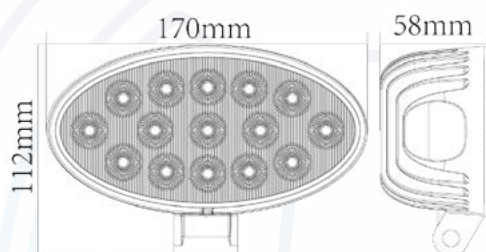
Part Number	Description
VSWD-WL611-F	30w Oval Lamp - Flood Beam
VSWD-WL611-S-B	30w Oval Lamp - Spot Beam Blue

Lumens	White 2500 Blue 1000	Approvals	ECE R10
Voltage	10-30v	IP Rating	IP67
LEDs	6 LEDs	Beam Pattern	White - Flood Blue Spot
Mounting	Bracket	Additional Features	AMP Connector
Dimensions	120 x 140 x 65mm	Box Qty	20
Housing Material	Aluminium	Lens Material	Polycarbonate

VSWD-WL614

WORKLAMPS

R10



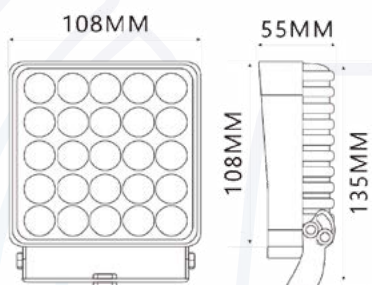
Part Number	Description
VSWD-WL614-F	75w Oval Lamp - Flood Beam

Lumens	5250	Approvals	ECE R10
Voltage	10-36v	IP Rating	IP67
LEDs	15 LEDs	Beam Pattern	Flood
Mounting	Bracket	Additional Features	
Dimensions	See above	Box Qty	20
Housing Material	Aluminium	Lens Material	Polycarbonate

VSWD-WL615

WORKLAMPS

R10



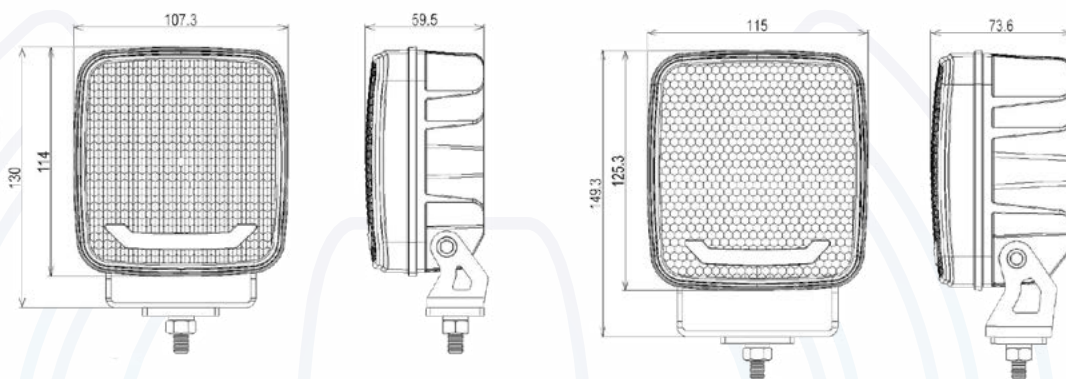
Part Number	Description
VSWD-WL615-F	75w Square Lamp - Flood Beam

Lumens	5625LM	Approvals	ECE R10 UKCA
Voltage	10-36v	IP Rating	IP67
LEDs	25 LEDs	Beam Pattern	Flood
Mounting	Bolt & Bracket	Additional Features	
Dimensions	108 x 108 x 55mm	Box Qty	30
Housing Material	Aluminium	Lens Material	Polycarbonate

VSWD-WL617

WORKLAMPS

R10



Part Number	Description
VSWD-WL617-45-F	45W Lamp with position light 4000LM
VSWD-WL617-80-F	80W Lamp with position light 7000LM

Lumens	4000 LM / 7000 LM	Approvals	ECE R10, R148
Voltage	9-36v	IP Rating	IP69K
LEDs	9 LEDs / 16 LEDs	Beam Pattern	Flood
Mounting	Bracket Mount	Additional Features	Position Light
Dimensions	See above	Box Qty	20
Housing Material	Aluminium	Lens Material	Polycarbonate

VSWD-WL632

WORKLAMPS

R10



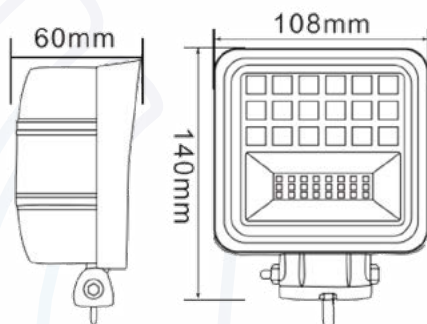
Part Number	Description
VSWD-WL632-F	15w Square Lamp Flood Beam

Lumens	1800	Approvals	ECE R10
Voltage	10-30v	IP Rating	IP67
LEDs	12 LEDs	Beam Pattern	Flood
Mounting	Bracket	Additional Features	
Dimensions	See above	Box Qty	40
Housing Material	Aluminium	Lens Material	Polycarbonate

VSWD-WL634

WORKLAMPS

R10



Part Number	Description
VSWD-WL634-C	48w Square Lamp Combi Beam

Lumens	3500	Approvals	ECE R10
Voltage	10-30v	IP Rating	IP67
LEDs	42 LEDs	Beam Pattern	Combi
Mounting	Bracket	Additional Features	
Dimensions	See above	Box Qty	20
Housing Material	Aluminium	Lens Material	Polycarbonate

VSWD-WL635

WORKLAMPS

R10



Part Number	Description
VSWD-WL635-WA	54w Angle Lamp Flood Beam

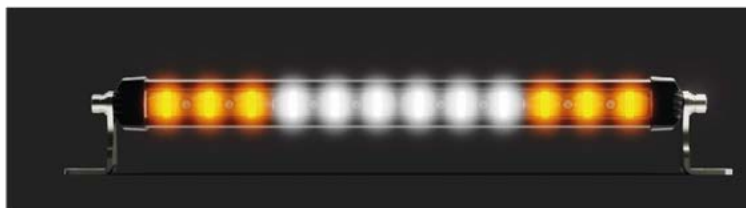
Lumens	4000	Approvals	ECE R10
Voltage	10-36v	IP Rating	IP67
LEDs	18 LEDs	Beam Pattern	Flood
Mounting	Bracket	Additional Features	240° Wide Angle
Dimensions	See above	Box Qty	20
Housing Material	Aluminium	Lens Material	Polycarbonate

VSWD-WL620

WORKLAMPS

R10

R65



Part Number	Description
VSWD-WL620-A-60	Utility Bar, 10-30v, 48W, white light amber flash
VSWD-WL620-A-90	Utility Bar, 10-30v, 78W, white light amber flash
VSWD-WL620-A-150	Utility Bar, 10-30v, 126W, white light amber flash

Lumens	800 / 1800 / 2500	Approvals	ECE R10 ECE R68
Voltage	10-30v	IP Rating	IP67
LEDs	12 / 18 / 30 LEDs	Beam Pattern	Flood
Mounting	Bracket	Additional Features	White light with amber flash. 19 flash patterns
Dimensions	361 x 50 x 56mm 510 x 50 x 56mm 804 x 50 x 56mm	Box Qty	15 / 12 / 9
Housing Material	Aluminium	Lens Material	Polycarbonate

VSWD-WL621W

BAR LIGHT

R10



Part Number	Description
VSWD-WL621W	White bar light 90w Combi Beam

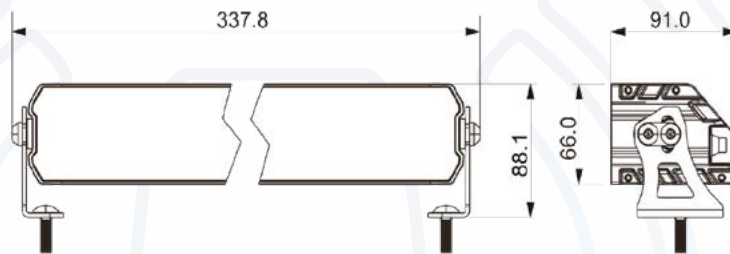
Lumens	3000LM	Approvals	ECE R10 UKCA
Voltage	10-30v	IP Rating	IP67
LEDs	18 LEDs	Beam Pattern	Combi
Mounting	Bracket Mount	Additional Features	
Dimensions	510 x 50 x 56mm	Box Qty	20
Housing Material	Aluminium	Lens Material	Polycarbonate

VSWD-DL4800

DRIVE LIGHT

R10

R65



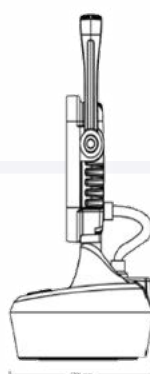
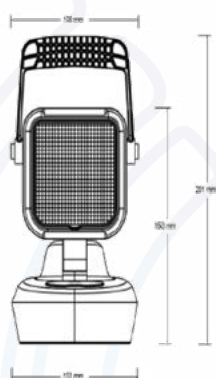
Part Number		Description	
VSWD-DL4800-10		Drive Light 338mm +WL/PL R10/R65/R112/R7	
Function	Drive Light, Warning Light, Position Light	Approvals	ECE R10, R65, R148, R149
Voltage	10-30v	IP Rating	IP67 / IP69k
Mounting	Bracket Mount	Colour Temp	6000-6500k
Dimensions	338 x 88 x 91mm	Box Qty	9
Housing Material	Aluminium	Lens Material	Polycarbonate

VSWD-WL623

WORKLAMPS

3 Modes:

- 100% Intensity - White
- 50% Intensity - White
- SOS Flash - Amber or White



Part Number		Description	
VSWD-WL623		SOS Utility Lamp, 18 LED Rechargeable White/Amber, Cigarette Plug	
Lumens	648	Approvals	CE, UKCA
Voltage	10-30v	IP Rating	IP65
LEDs	9 White LEDs 9 Amber LEDs	Beam Pattern	Flood
Mounting	Magnetic	Additional Features	3 Modes, Handle, Mag Base, Rechargeable Battery
Dimensions	103 x 105 x 201mm	Box Qty	20
Housing Material	Aluminium	Lens Material	Polycarbonate

VSWD-WL626

WORKLAMPS

3 Modes:

- 100% Intensity - White
- 50% Intensity - White
- SOS Flash
- Quad Flash



Part Number	Description
VSWD-WL626-S	Utility Lamp, 9 LED Rechargeable, 4 Modes

Lumens	305	Approvals	CE, UKCA
Voltage	10-30v	IP Rating	IP65
LEDs	9 LEDs	Beam Pattern	Flood
Mounting	Magnetic	Additional Features	4 Modes, Handle, Mag Base, Rechargeable Battery, Reverse Charge Function
Dimensions	See above	Box Qty	20
Housing Material	Aluminium	Lens Material	Polycarbonate

VSWD-FLT620

WORKLAMPS

R10



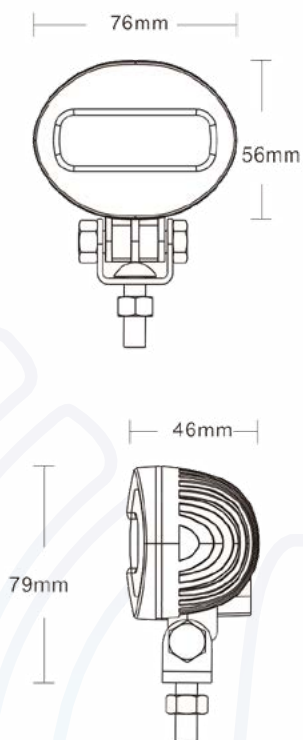
Part Number	Description
VSWD-FLT620-B	FLT Arrow Lamp Blue R10 9-80v
VSWD-FLT620-R	FLT Arrow Lamp Red R10 9-80v

Lumens	250	Approvals	ECE R10 UKCA
Voltage	10-80v	IP Rating	IP67
LEDs	3 LEDs	Beam Pattern	Arrow Safety Light
Mounting	Bracket	Additional Features	
Dimensions	See above	Box Qty	30
Housing Material	Aluminium	Lens Material	Polycarbonate

VSWD-FLT621

WORKLAMPS

R10



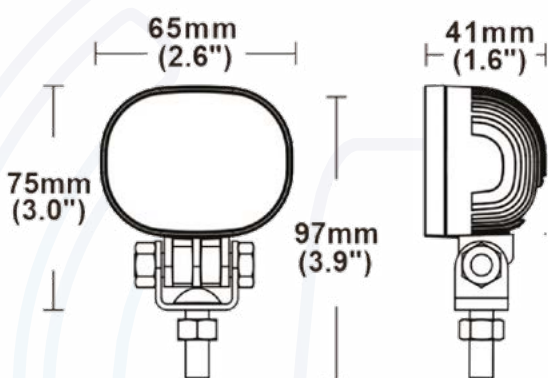
Part Number	Description
VSWD-FLT621-B	FLT Safety Line Lamp Blue R10 9-80v
VSWD-FLT621-R	FLT Safety Line Lamp Red R10 9-80v

Lumens	200	Approvals	ECE R10 UKCA
Voltage	10-80v	IP Rating	IP67
LEDs	2 LEDs	Beam Pattern	Safety Line Light
Mounting	Bracket	Additional Features	
Dimensions	See above	Box Qty	30
Housing Material	Aluminium	Lens Material	Polycarbonate

VSWD-FLT622

WORKLAMPS

R10



Part Number	Description
VSWD-FLT622-B	FLT Arc Light Red R10 9-80v
VSWD-FLT622-R	FLT Arc Light Blue R10 9-80v

Lumens	47 LM	Approvals	ECE R10 UKCA
Voltage	9-80v	IP Rating	IP67
LEDs	1 LED	Beam Pattern	Arc Safety Line
Mounting	Bracket	Additional Features	
Dimensions	See above	Box Qty	30
Housing Material	Aluminium	Lens Material	Polycarbonate

VSWD-INT130

INTERIOR LIGHT

R10



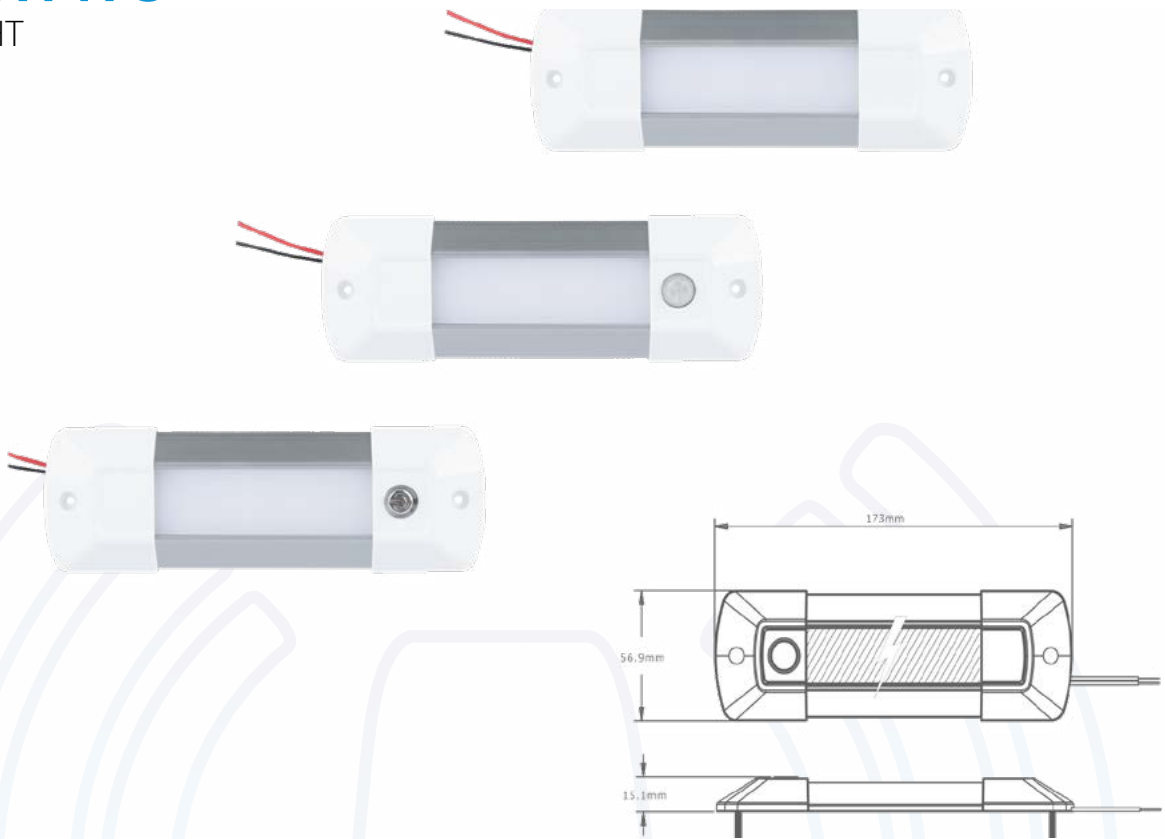
Part Number	Description
VSWD-INT130	Interior Light Round White 85 LED
VSWD-INT130-02	Interior Light Round White 85 LED Switch
VSWD-INT130-03	Interior Light Round White 85 LED PIR

Lumens	1200	Approvals	ECE R10
Voltage	10-30v	IP Rating	IP65
LEDs	85 LEDs	Colour Temp	5700K - 6500K
Mounting	Surface	Additional Features	Wires only, Touch Switch, PIR
Dimensions	See above	Box Qty	80
Housing Material	Aluminium	Lens Material	Polycarbonate

VSWD-INT173

INTERIOR LIGHT

R10



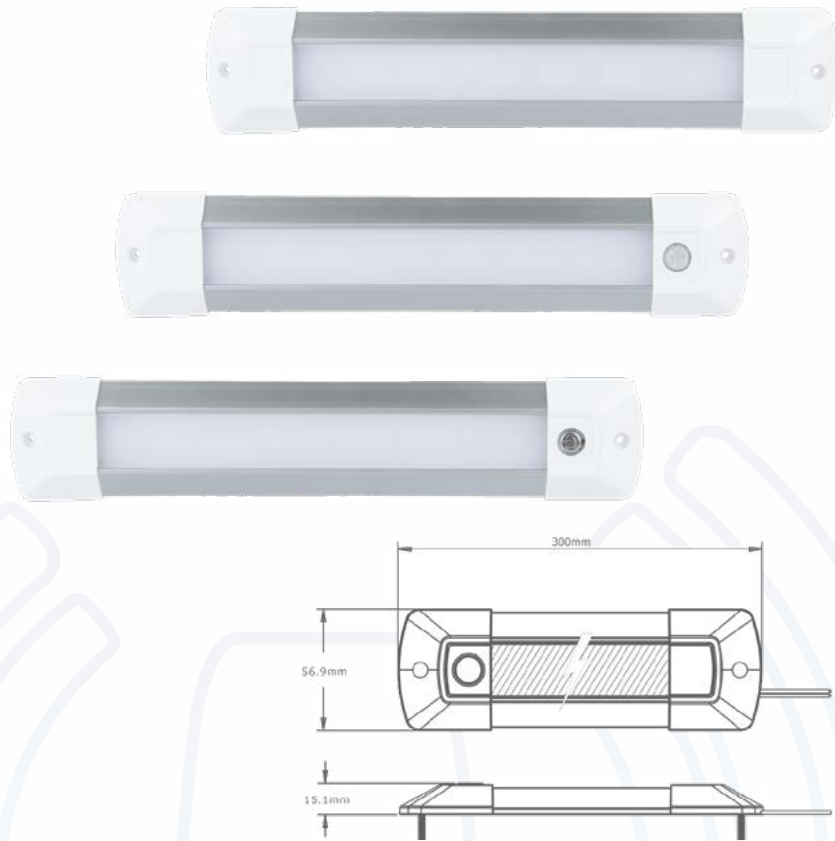
Part Number	Description
VSWD-INT173	Interior Light 173mm 22 LED
VSWD-INT173-02	Interior Light 173mm 22 LED with Switch
VSWD-INT173-03	Interior Light 173mm 22 LED with PIR

Lumens	308	Approvals	ECE R10
Voltage	10-30v	IP Rating	IP67
LEDs	22 LEDs	Colour Temp	5700K - 6500K
Mounting	Surface	Additional Features	Wires Only, Touch Switch with Dimming Function, PIR
Dimensions	173 x 57 x 15mm	Box Qty	40
Housing Material	Aluminium	Lens Material	Polycarbonate

VSWD-INT300

INTERIOR LIGHT

R10



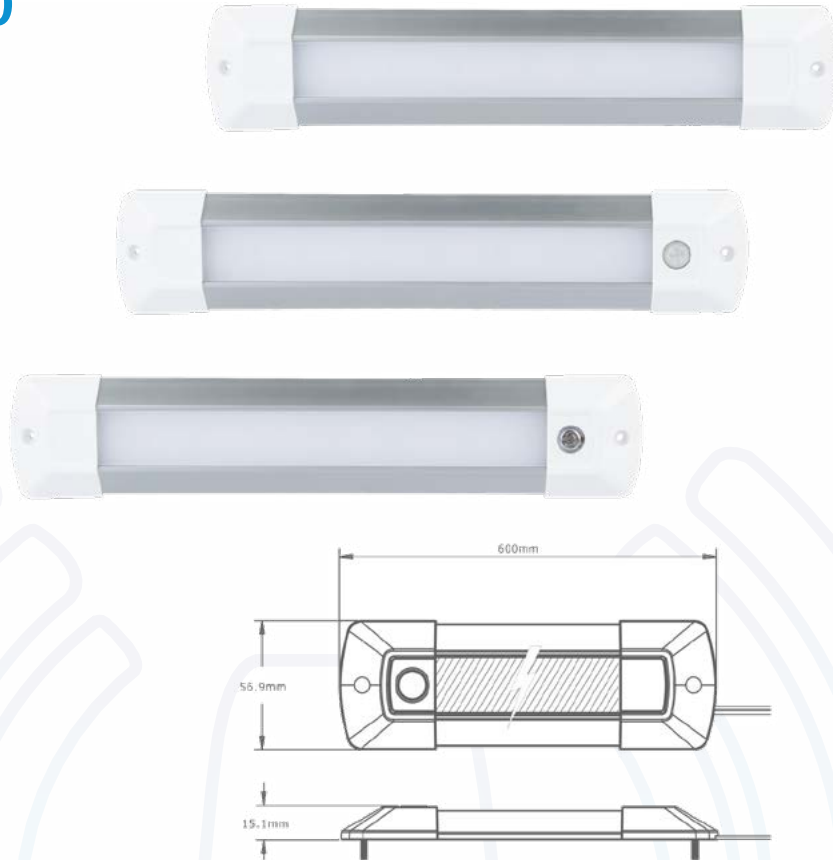
Part Number	Description
VSWD-INT300	Interior Light 300mm 54 LED
VSWD-INT300-02	Interior Light 300mm 54 LED with Switch
VSWD-INT300-03	Interior Light 300mm 54 LED with PIR

Lumens	756	Approvals	ECE R10
Voltage	10-30v	IP Rating	IP67
LEDs	54 LEDs	Colour Temp	5700K - 6500K
Mounting	Surface	Additional Features	Wires Only, Touch Switch with Dimming Function, PIR
Dimensions	300 x 57 x 15mm	Box Qty	40
Housing Material	Aluminium	Lens Material	Polycarbonate

VSWD-INT600

INTERIOR LIGHT

R10



Part Number	Description
VSWD-INT600	Interior Light 600mm 130 LED
VSWD-INT600-02	Interior Light 600mm 130 LED with Switch
VSWD-INT600-03	Interior Light 600mm 130 LED with PIR

Lumens	1820	Approvals	ECE R10
Voltage	10-30v	IP Rating	IP67
LEDs	130 LEDs	Colour Temp	5700K - 6500K
Mounting	Surface	Additional Features	Wires Only, Touch Switch with Dimming Function, PIR
Dimensions	600 x 57 x 15mm	Box Qty	20
Housing Material	Aluminium	Lens Material	Polycarbonate

VSWD-INT310/ 510 / 1000

INTERIOR LIGHT



Part Number	Description
VSWD-INT310-DV	Interior Light 300mm 18 LEDs
VSWD-INT510-DV	Interior Light 522mm 30 LEDs
VSWD-INT1000-DV	Interior Light 1000mm 60 LEDs

Lumens	360 / 600 / 1000	Approvals	
Voltage	10-30v	IP Rating	IP67
LEDs	18 / 30 / 60 LEDs	Colour Temp	6000K
Mounting	Surface	Additional Features	
Dimensions	330mm / 520mm / 1030mm	Box Qty	100 / 250
Housing Material	Aluminium	Lens Material	Silicone Seal

VSWD-PIR Series

INTERIOR LIGHT



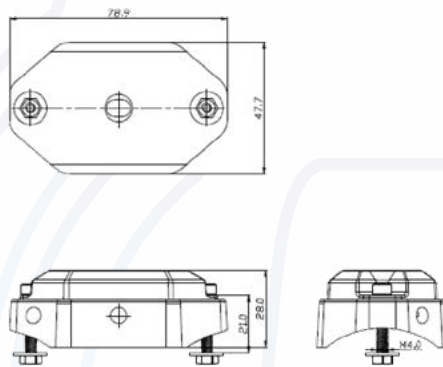
Part Number	Description
VSWD-PIR300-12V	PIR INT LIGHT 300MM 400LM 6000K 12V
VSWD-PIR500-12V	PIR INT LIGHT 500MM 800LM 6000K 12V
VSWD-PIR1000-12V	PIR INT LIGHT 1000MM 1600LM 6000K 12V
VSWD-PIR1000-24V	PIR INT LIGHT 1000MM 1600LM 6000K 24V

Lumens	400/800/1600 LM	Approvals	
Voltage	12v or 24v	IP Rating	IP65
LEDs	30/54/114 LEDs	Colour Temp	6000K
Mounting	2 x Mounting Clip	Additional Features	
Dimensions	300/500/1000 mm	Box Qty	NA
Housing Material	Aluminium	Lens Material	Frosted Diffuser

VSWD-ML01

INTERIOR LIGHT

R10



Part Number	Description
VSWD-ML01	Micro Light 3 * 3W LEDs 10-30v

Lumens	648	Approvals	ECE R10
Voltage	10-36v	IP Rating	IP67
LEDs	3 LEDs	Beam Pattern	Flood
Mounting	Surface	Additional Features	
Dimensions	79 x 70 x 41mm	Box Qty	60
Housing Material	Aluminium	Lens Material	Polycarbonate

VSWD-810

CV LIGHTING

R10

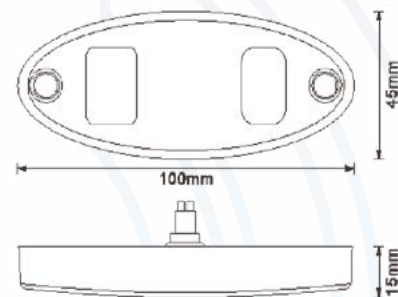


Part Number		Description	
VSWD-810		LED Number Plate lamp 10-30v ECE R10 / R4 IP65	
Function	Number Plate Lamp	Approvals	ECE R10, R4
Voltage	12-24v	IP Rating	IP65
Mounting	Bolt Mount	LEDs	12 x 2W LEDs
Dimensions	100 x 49 x 33mm	Box Qty	50
Housing Material	Polycarbonate	Lens Material	Polycarbonate

VSWD-848

CV LIGHTING

R10

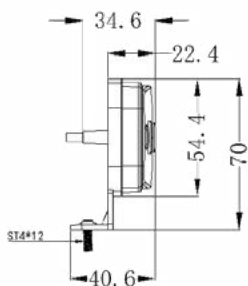
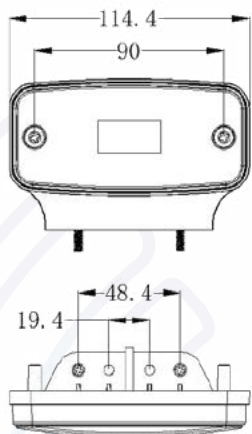


Part Number		Description	
VSWD-848-A-AMP		Oval Amber Marker with amp 12-24V R10/R3/R91	
Function	Side Marker & reflector	Approvals	ECE R10, R3, R91
Voltage	12-24v	IP Rating	IP65
Mounting	Bracket Mount	LEDs	3 x 1WLEDs
Dimensions	100 x 15 x 45mm	Box Qty	50
Housing Material	ABS	Lens Material	PMMA

VSWD-849

CV LIGHTING

R10



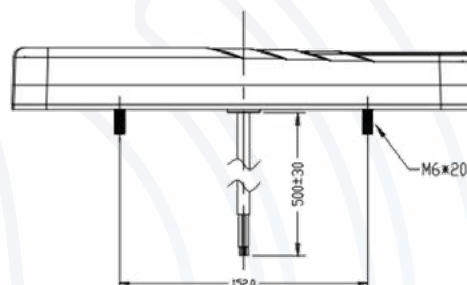
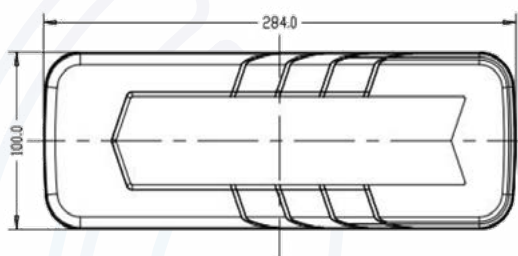
Part Number	Description
VSWD-849-Colour	A = Amber R = Red W = White

Function	Side Marker Lights with Reflex Reflector	Approvals	ECE R10 R148
Voltage	12-24v	IP Rating	IP67
LEDs	6 LEDs	Box Qty	50
Mounting	Bracket	Additional Features	
Dimensions	115 x 70 x 41mm		
Housing Material	Zinc	Lens Material	Polycarbonate

VSWD-853

CV LIGHTING

R10



Part Number	Description
VSWD-853	5 Function Tail Light with progressive indicator

Function	Stop, Tail, Turn, Reverse, Fog	Approvals	ECE R10 R3, R6, R7, R23, R38
Voltage	12-24v	IP Rating	IP67
Mounting	Surface	Additional Features	Progressive Indicator
Dimensions	284 x 100 x 35mm	Box Qty	30
Housing Material	Polycarbonate	Lens Material	Polycarbonate

VSWD-R65WTK

CV LIGHTING

R10

R65



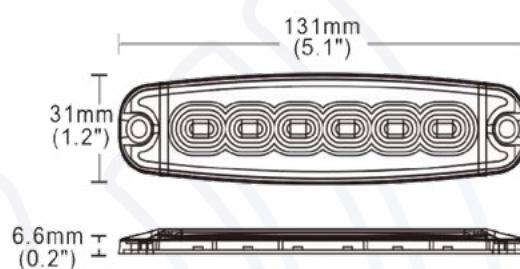
Part Number	Description
VSWD-R65WTK	R65 Wireless Trailer Amber Lamps - Mag - Battery, 12 LEDs

Function	Warning Light, Quick Double Flash	Approvals	ECE R10 ECE R65
Voltage	12-24v	IP Rating	IP67
Mounting	Magnetic	Additional Features	Wireless, Magnetic, Carry Case, Charger
Dimensions	110 x 102 x 67mm	Box Qty	10
Housing Material	ABS	Lens Material	Polycarbonate

VSWD-820

REAR LIGHTING

R10



Part Number	Description
VSWD-820	Red/Amber compact S/T/I rear light5 Function Tail Light with progressive indicator

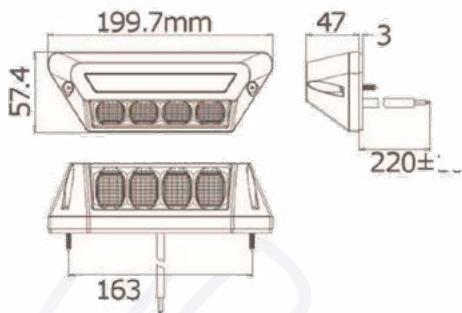
Light Info	Static light for Stop, Tail, Indicator	Approvals	ECE R10 R148 UKCA
Voltage	10-30v	IP Rating	IP67
LEDs	6 LEDs	Colours	
Mounting	Screws or 3M Adhesive, surface mount	Additional Features	
Dimensions	See Above	Box Qty	50
Housing Material	Polycarbonate	Lens Material	Polycarbonate

VSWD-SL2800

SCENE LIGHTING

R10

R65



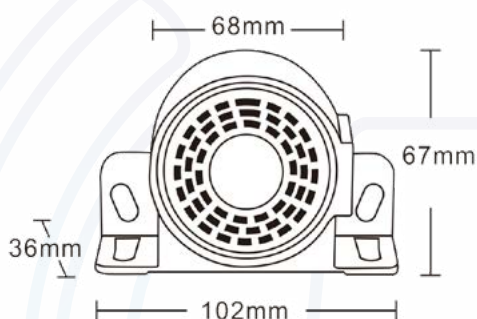
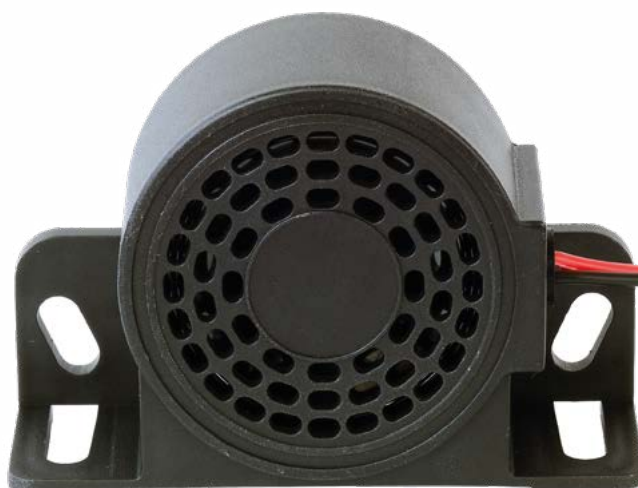
Part Number	Description
VSWD-SL2800	Scene Light 4 LED 28W
VSWD-SL2800W-A	Scene Light with Amber Side Marker
VSWD-SL2800W-R	Scene Light with Red Side Marker
VSWD-SL2800W-W	Scene Light with White Side Marker
VSWD-SL2800W-R65	Scene Light with Amber R65 Warning Light

Lumens	2800 LM	Approvals	ECE R10, R148 R65, UKCA
Voltage	10-30v	IP Rating	IP69k
LEDs	4 LEDs + side marker / warning light	Beam Pattern	Flood
Mounting	Screw fix surface mount	Additional Features	
Dimensions	See above	Box Qty	20
Housing Material	Aluminium	Lens Material	Polycarbonate

VSWD-402

REVERSE ALARM

R10



Part Number	Description
VSWD-402-W-97	402 Plus Alarm 97DB 10-80v 2 Sounds Night Silent 4 Wires

DB Rating	82-107 dB	Approvals	ECE R10 UKCA
Voltage	12-80v	IP Rating	IP67
Mounting	Bolts, Wires	Additional Features	Night Silent Funcion
Dimensions	102 x 36 x 67mm	Box Qty	50
Housing Material	ABS	Tone	White Noise & Tonal

VSWD-406

TALKING ALARM

R10



Part Number	Description
VSWD-406-W-V-LRR	Talking Alarm Left Turn, Right Turn, Reversing 97dB 10-30v

DB Rating	97 dB	Approvals	ECE R10 UKCA
Voltage	10-30v	IP Rating	IP68
Mounting	Bolts, Wires	Additional Features	Other messages available
Dimensions	84 x 68 x 45mm	Box Qty	40
Housing Material	Glass Filled Nylon	Tone	Talking Voice

VSWD-01BRACKET

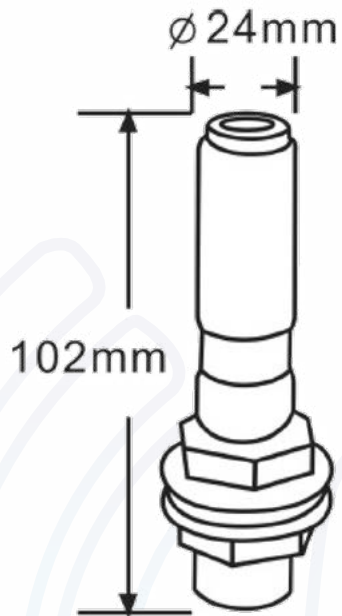
BRACKETS



Part Number	Description
VSWD-01BRACKET	Bracket kit to fit Mini Bars Made from galvanised steel Kit comes with foam pads and bolts Dimensions 240 x 100 x 100mm

VSWD-BRACKET1

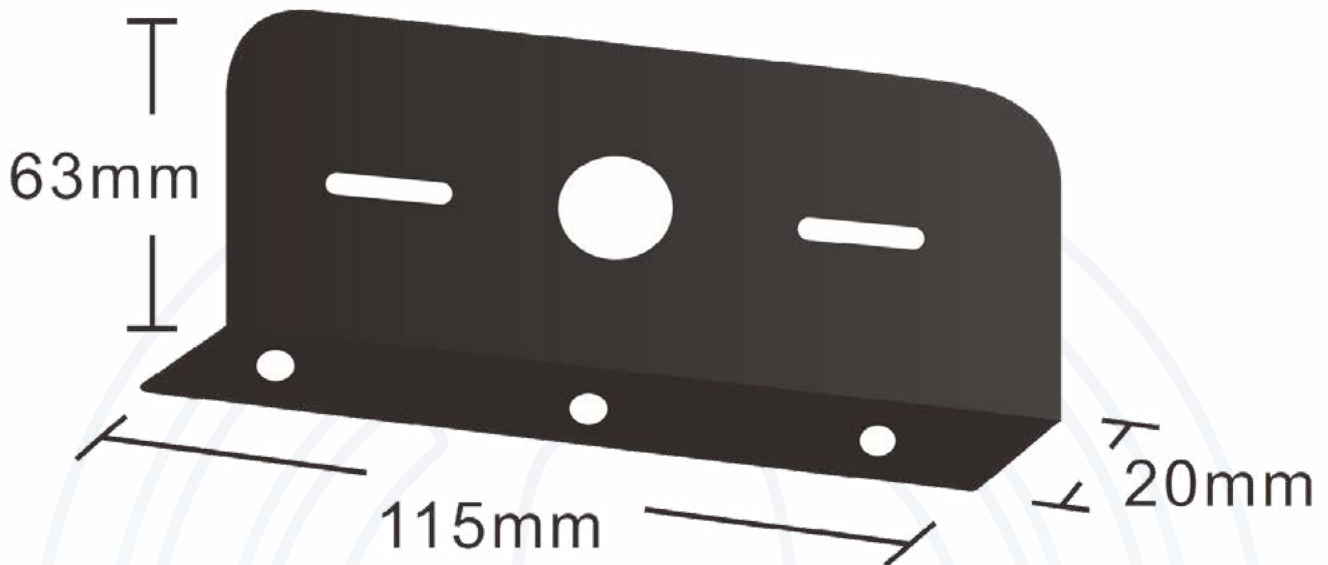
BRACKETS



Part Number	Description
BRACKET1	Pole mount bracket Made from Iron Dimensions 102 x 24mm

VSWD-BRACKET7

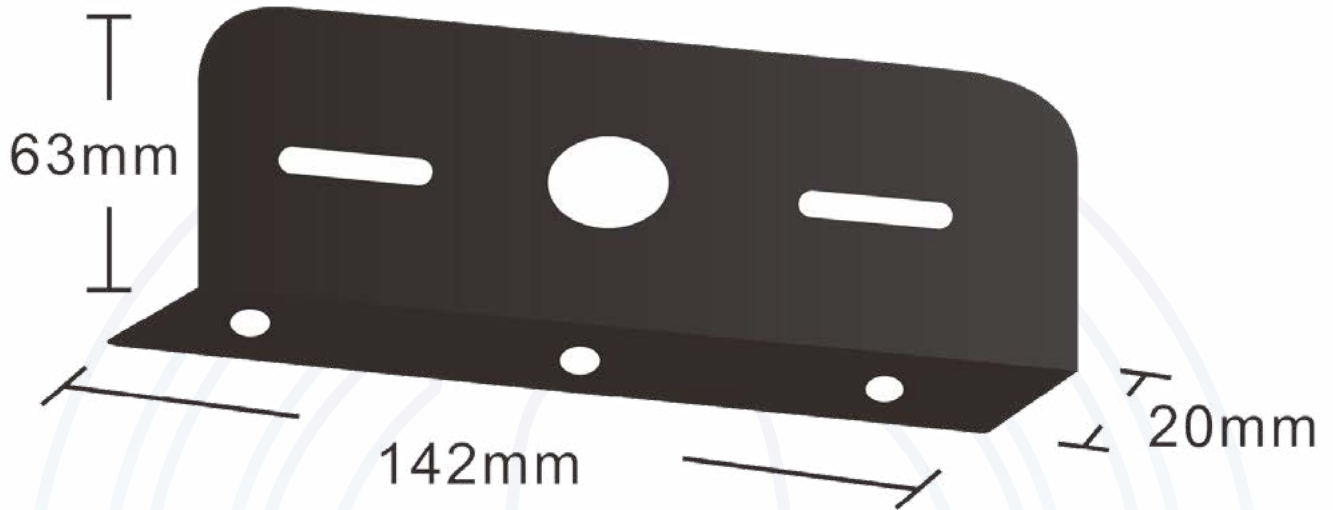
BRACKETS



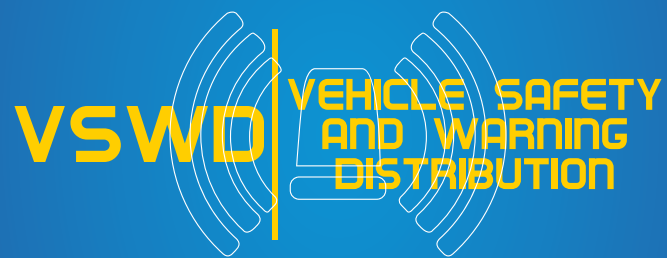
Part Number	Description
BRACKET7	Strobe Light Bracket Made from iron Dimensions 115 x 63 x 20mm

VSWD-BRACKET8

BRACKETS



Part Number	Description
BRACKET8	Strobe Light Bracket Made from iron Dimensions 142 x 63 x 20mm



Vehicle Safety and Warning Distribution Ltd

Unit 2A Follifoot Ridge Business Park
Pannal Road
Harrogate
HG3 1DP

Telephone: +44 (0) 113 4575540

Email: sales@vswd-ltd.co.uk

www.vswd-ltd.co.uk

