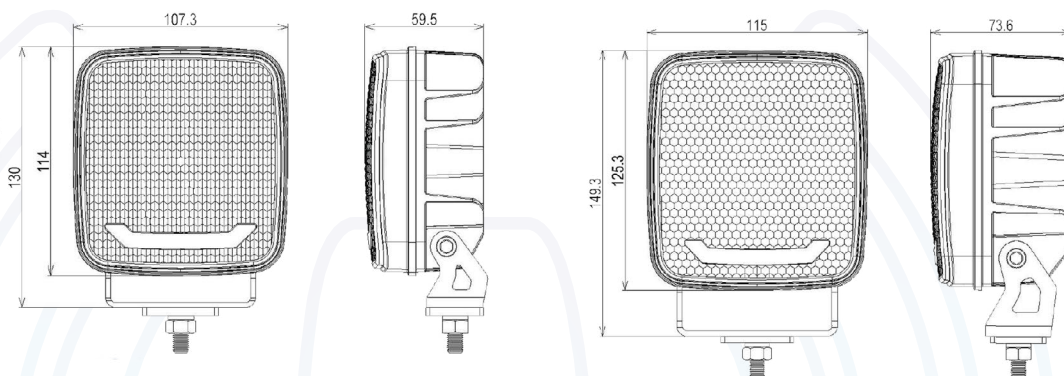


VSWD-WL617

WORKLAMPS

R10



Part Number	Description
VSWD-WL617-45-F	45W Lamp with position light 4000LM
VSWD-WL617-80-F	80W Lamp with position light 7000LM

Lumens	4000 LM / 7000 LM	Approvals	ECE R10, R148
Voltage	9-36v	IP Rating	IP69K
LEDs	9 LEDs / 16 LEDs	Beam Pattern	Flood
Mounting	Bracket Mount	Additional Features	Position Light
Dimensions	See above	Box Qty	20
Housing Material	Aluminium	Lens Material	Polycarbonate