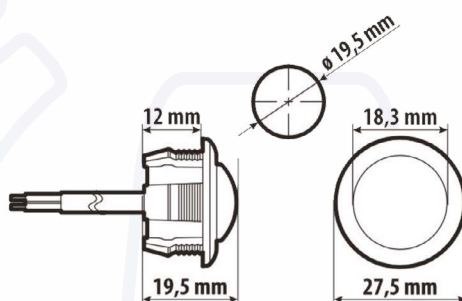


VSWD-802

CV LIGHTING

R10



Part Number	Description
VSWD-802-A	10-30v amber marker, ECE R10, ECE R148
VSWD-802-W	10-30v white marker, ECE R10, ECE R148

Function	Marker Light	Approvals	ECE R10, R148
Voltage	12-24v	IP Rating	IP67
Mounting	Flush Mount	LEDs	1 LEDs
Dimensions	See above	Box Qty	20
Housing Material	ABS & Rubber	Lens Material	Polycarbonate