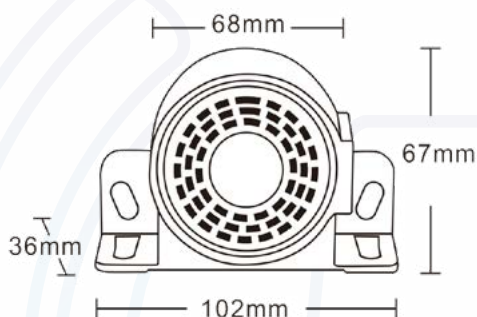


## VSWD-402-W

REVERSE ALARM

**R10**



Part Number	Description
VSWD-402-W	402 Plus Alarm 97DB 10-80v 2 Sounds Night Silent 5 Wires
VSWD-402-W-DE	402 Double Engage Alarm, 87-107 DB, 10-60v 2 Sounds

<b>DB Rating</b>	87 - 107 dB	<b>Approvals</b>	ECE R10 UKCA
<b>Voltage</b>	10-80v	<b>IP Rating</b>	IP67
<b>Mounting</b>	Bolts, Wires	<b>Additional Features</b>	Night Silent Function Double Engage Function
<b>Dimensions</b>	102 x 36 x 67mm	<b>Box Qty</b>	50
<b>Housing Material</b>	ABS	<b>Tone</b>	White Noise & Tonal