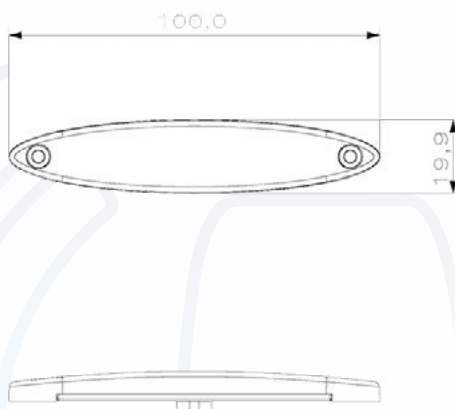
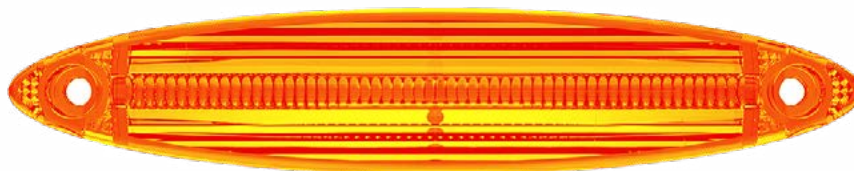


VSWD-844-A

REAR LIGHTING

R10



Part Number	Description
VSWD-844-A	Slim Amber Marker Light 24v

Light Info		Approvals	ECE R10 R148
Voltage	24v	IP Rating	IP67
LEDs	6 LEDs	Colours	
Mounting	Screws	Additional Features	With Reflex
Dimensions	100mm x 12mm	Box Qty	500
Housing Material	Polycarbonate	Lens Material	Polycarbonate