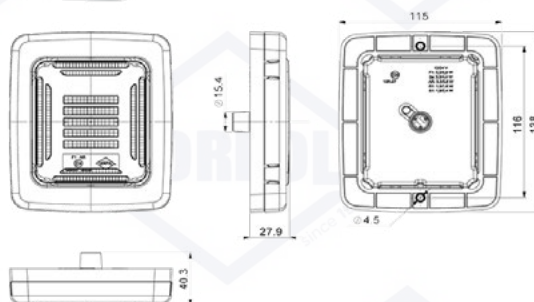


## CUBE LZD 2876

REAR COMBINATION LIGHT

**R10**

# CUBE



### Description

The **CUBE LZD 2876** rear combination light is a functional and well-engineered LED lighting solution designed for reliable operation in demanding road conditions. Its compact form and **slightly tinted lens** give the lamp a modern appearance that integrates seamlessly with various vehicle body types.

The product is intended for a wide range of commercial vehicles, including trailers, semi-trailers, trucks, agricultural machinery, and specialized vehicles. **The lamp plays a key role in ensuring safety during maneuvering and driving in difficult weather conditions.**

### Key Product Features

- The LZD 2876 model is equipped with **two essential lighting functions**: a **rear fog light** (3.3/3.8 W) and a **reverse light** (3.3/3.8 W), ensuring good visibility for both the driver and other road users. The use of 31 LEDs provides sufficient light intensity while maintaining low power consumption.
- Its universal design allows installation on both sides of the vehicle, exclusively in a **vertical position**. Thanks to its **12/24 V power supply** range, the product is compatible with most vehicle electrical systems.
- The lamp is supplied with a spacer frame for easy and stable mounting on flat surfaces, as well as an outer frame that enhances the visual finish and protects the lamp edges. This solution increases versatility and makes it easier to adapt the product to different vehicle body types.

Light group	HOR 164	LED quantity	31
Light category	multifunction rear	Supply voltage	12/24V
Fog light	yes		
Operating temp range	from -30°C to +50°C	Side	universal
Reversing light	yes	LED light	yes
Ingress protection rating	IP68	Cable	3x0.5mm <sup>2</sup> , cable length 1m