

SAFETY SHOULD NOT COME AT A PREMIUM

# PRODUCT CATALOGUE

[www.vswd-ltd.co.uk](http://www.vswd-ltd.co.uk)

Updated : May 2026

VSWD is focused on bringing safety and warning products to all automotive sectors that are **innovative**, **certified** and **approved**.

We always have our customers in mind and we're **always competitive**.

## SAFETY SHOULD NOT COME AT A PREMIUM


## CONTACT US

Vehicle Safety and Warning Distribution Ltd  
Unit 2 Manse Lane Industrial Estate  
Manse Lane  
Knaresborough  
HG5 8LF

**Telephone:** +44 (0) 113 4575540  
**Email:** sales@vswd-ltd.co.uk

You can follow us on Social Media:

 <https://www.linkedin.com/company/vehicle-safety-and-warning-distribution-ltd/>

 <https://www.youtube.com/channel/UC7QSx80PbdS-o-pF19iGSfg>



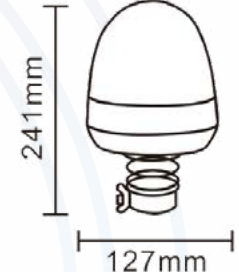
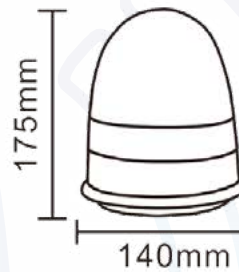
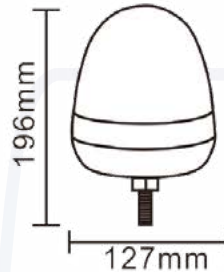
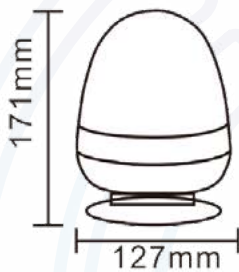
# CONTENTS

PRODUCT CATEGORY	Page	PRODUCT CATEGORY	Page	PRODUCT CATEGORY	Page
<b>BEACONS</b>		<b>LIGHTBARS</b>		<b>CV LIGHTING (cont.)</b>	
VSWD-209	<u>4</u>	VSWD-770	<u>47</u>	VSWD-849	<u>94</u>
VSWD-210	<u>5</u>	VSWD-770 Smoked	<u>48</u>	VSWD-850 Series	<u>95</u>
VSWD-211	<u>6</u>	VSWD-780	<u>49</u>	VSWD-871	<u>96</u>
VSWD-221	<u>7</u>	VSWD-790	<u>50</u>	VSWD-872	<u>97</u>
VSWD-231	<u>8</u>	VSWD-790 Smoked	<u>51</u>	VSWD-873	<u>98</u>
VSWD-233	<u>9</u>			VSWD-SL2800	<u>99</u>
VSWD-255	<u>10</u>	<b>WORKLAMPS</b>		LD675 GRAPHITE	<u>100</u>
VSWD-270	<u>11</u>	VSWD-WL601	<u>52</u>	LD676 GRAPHITE	<u>101</u>
VSWD-FLT241	<u>12</u>	VSWD-WL602	<u>53</u>	LD677 GRAPHITE	<u>102</u>
VSWD-FLT278	<u>13</u>	VSWD-WL604	<u>54</u>	LD2174 GRAPHITE	<u>103</u>
VSWD-FLT280	<u>14</u>	VSWD-WL605	<u>55</u>	LD2175 GRAPHITE	<u>104</u>
		VSWD-WL606	<u>56</u>	LD2191 GRAPHITE	<u>105</u>
<b>STROBES</b>		VSWD-WL610	<u>57</u>	LD3063	<u>106</u>
VSWD-HLED	<u>15</u>	VSWD-WL611	<u>58</u>	LD3064	<u>107</u>
VSWD-73	<u>16</u>	VSWD-WL614	<u>59</u>	LD3065	<u>108</u>
VSWD-705	<u>17</u>	VSWD-WL615	<u>60</u>	LD2327	<u>109</u>
VSWD-706	<u>18</u>	VSWD-WL616-F	<u>61</u>	LD2328	<u>110</u>
VSWD-707	<u>19</u>	VSWD-WL617	<u>62</u>	LD2329	<u>111</u>
VSWD-708	<u>20</u>	VSWD-WL618	<u>63</u>	LD3210-GRAPHITE SLIM	<u>112</u>
VSWD-709	<u>21</u>	VSWD-WL619	<u>64</u>	LD3211-GRAPHITE	<u>113</u>
VSWD-710	<u>22</u>	VSWD-WL620	<u>65</u>	LD3212-GRAPHITE SLIM	<u>114</u>
VSWD-711 Smoked	<u>23</u>	VSWD-WL626	<u>66</u>	LKD 2249/ST	<u>115</u>
VSWD-6H75	<u>24</u>	VSWD-WL634	<u>67</u>	LZKD 3140	<u>116</u>
VSWD-C704	<u>25</u>	VSWD-WL635	<u>68</u>	LZKD 3141	<u>117</u>
VSWD-C722	<u>26</u>	VSWD-WL636	<u>69</u>	CUBE LZD 2876	<u>118</u>
VSWD-HL300	<u>27</u>	VSWD-WL621W	<u>70</u>	CUBE LZD 2877	<u>119</u>
VSWD-HL301	<u>28</u>	VSWD-WL6100 SERIES	<u>71</u>		
VSWD-HL305	<u>29</u>	VSWD-DL4800	<u>72</u>	<b>ALARMS</b>	
VSWD-HIL308	<u>30</u>	VSWD-FLT620	<u>73</u>	VSWD-402-W	<u>120</u>
VSWD-HIL310	<u>31</u>	VSWD-FLT621	<u>74</u>	VSWD-406	<u>121</u>
VSWD-DL18	<u>32</u>	VSWD-FLT622	<u>75</u>	VSWD-407	<u>122</u>
VSWD-S500	<u>33</u>	VSWD-FLT630	<u>76</u>		
				<b>BRACKETS / ACCESSORIES</b>	
<b>MINIBARS</b>		<b>INTERIOR LIGHTS</b>		VSWD-01BRACKET	<u>123</u>
VSWD-112	<u>34</u>	VSWD-INT130	<u>77</u>	VSWD-BRACKET1	<u>124</u>
VSWD-114	<u>35</u>	VSWD-INT173	<u>78</u>	VSWD-BRACKET7	<u>125</u>
VSWD-114 Smoked	<u>36</u>	VSWD-INT300	<u>79</u>	VSWD-BRACKET8	<u>126</u>
VSWD-116	<u>37</u>	VSWD-INT600	<u>80</u>	VSWD-SB4	<u>127</u>
VSWD-116 Smoked	<u>38</u>	VSWD-INT310/ 510 / 1000	<u>81</u>		
VSWD-117	<u>39</u>	VSWD-PIR Series	<u>82</u>	<b>OFF ROAD</b>	
VSWD-117 Smoked	<u>40</u>	VSWD-ML01	<u>83</u>	VSWD-OR303-2	<u>128</u>
VSWD-138	<u>41</u>			VSWD-OR401	<u>129</u>
VSWD-138 Smoked	<u>42</u>	<b>CV LIGHTING</b>		VSWD-OR402	<u>130</u>
VSWD-139	<u>43</u>	VSWD-790	<u>84</u>	VSWD-OR403-2	<u>131</u>
VSWD-139 Smoked	<u>44</u>	VSWD-802	<u>85</u>	VSWD-OR501	<u>132</u>
VSWD-156	<u>45</u>	VSWD-810	<u>86</u>	VSWD-OR502	<u>133</u>
VSWD-156 Smoked	<u>46</u>	VSWD-810-AMP	<u>87</u>	VSWD-OR701	<u>134</u>
		VSWD-820	<u>88</u>	VSWD-OR702	<u>135</u>
		VSWD-844-A	<u>89</u>	VSWD-OR901	<u>136</u>
		VSWD-845-A	<u>90</u>	VSWD-OR902	<u>137</u>
		VSWD-846-A-AMP	<u>91</u>	VSWD-OR1001	<u>138</u>
		VSWD-847	<u>92</u>	VSWD-OR1002	<u>139</u>
		VSWD-848	<u>93</u>	VSWD-OR-WL613	<u>140</u>
				VSWD-OR-WL626	<u>141</u>

## VSWD-209

BEACON SERIES

**R10**



Part Number	+ Base Type	+ Colour
VSWD-209S-Base-Colour	E = 1 Bolt D = 3 Bolt C = Magnetic G = Flexi Din	A = Amber G = Green

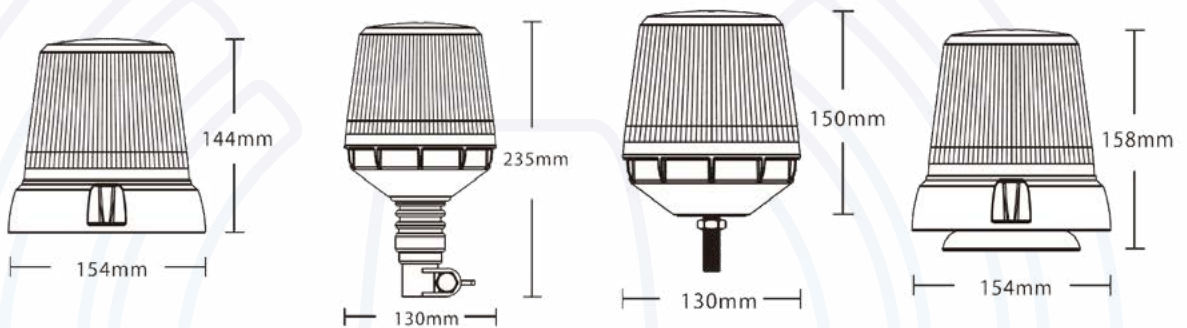
Flash Patterns	3 Patterns	Approvals	ECE R10
Voltage	9-30v	IP Rating	IP65
LEDs	60 LEDs	Colours	
Mounting	See above	Additional Features	
Dimensions	See above	Box Qty	20
Housing Material	Polycarbonate	Lens Material	Polycarbonate

## VSWD-210


BEACON SERIES

**R10**

**R65**



Part Number	Description
VSWD-210-3-A	3 Bolt Fixing Amber
VSWD-210-FD-A	Flexi Din Fixing - Amber
VSWD-210-1B-A	1 Bolt Fixing - Amber
VSWD-210-M-A	Magnetic Fixing - Amber

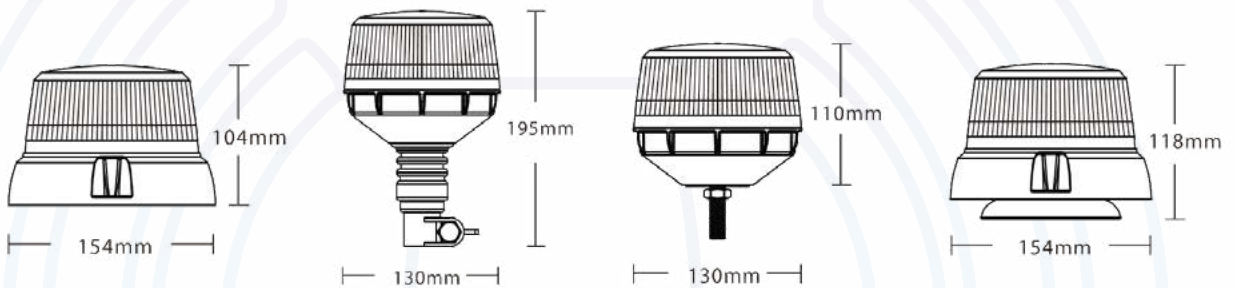
<b>Flash Patterns</b>	4 Patterns	<b>Approvals</b>	ECE R10 / ECE R65
<b>Voltage</b>	9-30v	<b>IP Rating</b>	IP67
<b>LEDs</b>	16 LEDs	<b>Colours</b>	
<b>Mounting</b>	See above	<b>Additional Features</b>	
<b>Dimensions</b>	See above	<b>Box Qty</b>	20
<b>Housing Material</b>	Polycarbonate	<b>Lens Material</b>	Polycarbonate

## VSWD-211


BEACON SERIES

**R10**

**R65**



Part Number	Description
VSWD-211-3-A	3 Bolt Fixing Amber
VSWD-211-FD-A	Flexi Din Fixing - Amber
VSWD-211-1B-A	1 Bolt Fixing - Amber
VSWD-211-M-A	Magnetic Fixing - Amber

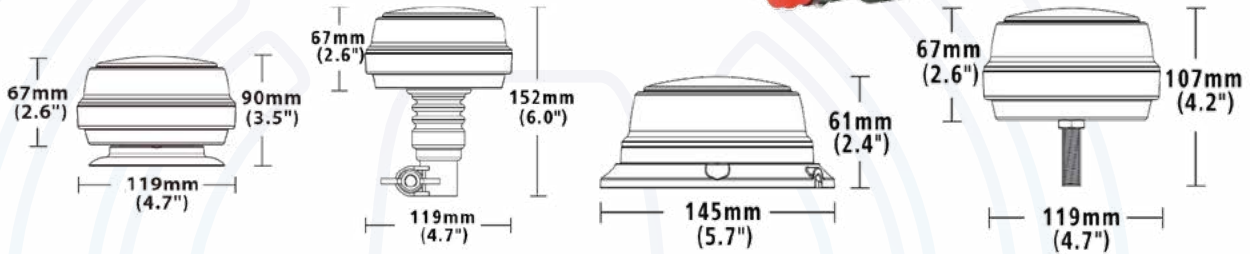
<b>Flash Patterns</b>	4 Patterns	<b>Approvals</b>	ECE R10 / ECE R65
<b>Voltage</b>	9-30v	<b>IP Rating</b>	IP67
<b>LEDs</b>	8 LEDs	<b>Colours</b>	
<b>Mounting</b>	See above	<b>Additional Features</b>	
<b>Dimensions</b>	See above	<b>Box Qty</b>	20
<b>Housing Material</b>	Polycarbonate	<b>Lens Material</b>	Polycarbonate

## VSWD-221

BEACON SERIES

**R10**

**R65**



Part Number	Description
VSWD-221-1B-A	221 Series Beacon 1 Bolt Amber 12 LED
VSWD-221-3-A	221 Series Beacon 3 Bolt Amber 12 LED
VSWD-221-FD-A	221 Series Beacon Flexi Din Amber 12 LED
VSWD-221-M-A	221 Series Beacon Mag Amber 12LED

<b>Flash Patterns</b>	4 Patterns	<b>Approvals</b>	ECE R10 / ECE R65 TA1 UKCA
<b>Voltage</b>	10-30v	<b>IP Rating</b>	IP67
<b>LEDs</b>	12 LEDs	<b>Colours</b>	
<b>Mounting</b>	See above	<b>Additional Features</b>	ECE R65 includes rotating pattern
<b>Dimensions</b>	See above	<b>Box Qty</b>	20
<b>Housing Material</b>	Polycarbonate	<b>Lens Material</b>	Polycarbonate

## VSWD-231


BEACON SERIES

**R10**

**R65**



Part Number	+ Base Type	+ Colour
VSWD-231L-Base-Colour	1 = 1 Bolt 3 = 3 Bolt M = Magnetic FD = Flexi Din	A = Amber B = Blue G = Green

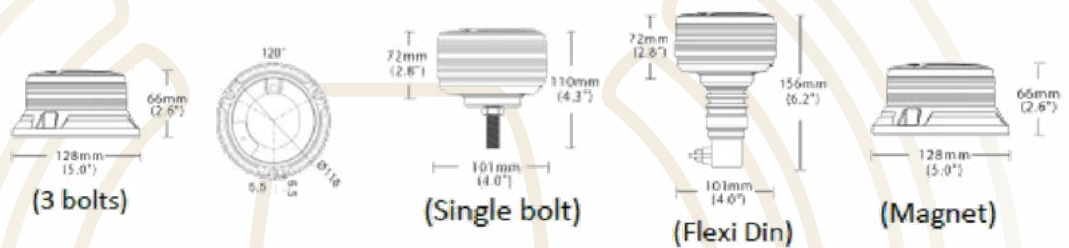
Flash Patterns	7 Patterns	Approvals	ECE R10 (All) ECE R65 (Amber & Blue)
Voltage	9-30v	IP Rating	IP67
LEDs	18 LEDs	Colours	
Mounting	See above	Additional Features	
Dimensions	See above	Box Qty	20 (1 Bolt/Flexi) 30 (3 Bolt/Mag)
Housing Material	Aluminium	Lens Material	Polycarbonate

## VSWD-233

BEACON SERIES

**R10**

**R65**



Part Number	Description
VSWD-233-1B-AG	233 1 Bolt Beacon Dual colour Amber Green
VSWD-233-3-AG	233 3 Bolt Beacon Dual colour Amber Green
VSWD-233-FD-AG	233 Flexi Din Beacon Dual colour Amber Green
VSWD-233-M-AG	233 Mag Beacon Dual colour Amber Green

<b>Flash Patterns</b>	4 Patterns	<b>Approvals</b>	ECE R10, ECE R65 TA1 (Amber) Meets SAE J845 Class 1, CISPR 25 class 3
<b>Voltage</b>	12-24v	<b>IP Rating</b>	IP67
<b>LEDs</b>	24 LEDs Amber 24 LEDs Green	<b>Colours</b>	
<b>Mounting</b>	Various, see above	<b>Additional Features</b>	Green steady on pattern, Sync
<b>Dimensions</b>	See above	<b>Box Qty</b>	20
<b>Housing Material</b>	Polycarbonate	<b>Lens Material</b>	Polycarbonate

## VSWD-255


BEACON SERIES

**R10**

**R65**



Part Number	Description
VSWD-255-1B-A	1 Bolt Fixing Amber
VSWD-255-FD-A	Flexi Din Fixing - Amber
VSWD-255-3-A	3 Bolt Fixing - Amber
VSWD-255-M-A	Magnetic Fixing - Amber

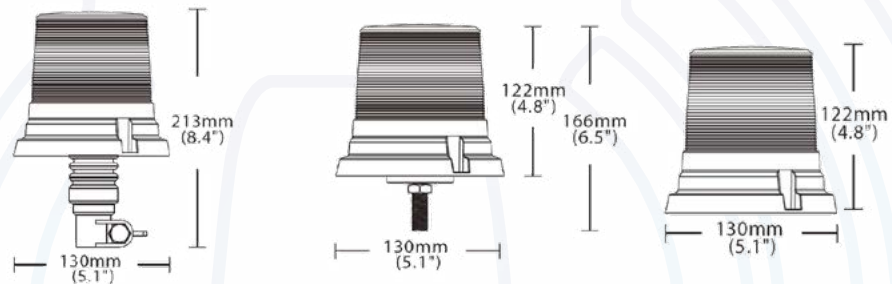
Flash Patterns	7 Patterns	Approvals	ECE R10, ECE R65, SAE J845 Class 1, ICAO CAP168
Voltage	9-30v	IP Rating	IP67
LEDs	24 LEDs	Colours	
Mounting	See above	Additional Features	Airport Approved
Dimensions	See above	Box Qty	30
Housing Material	Polycarbonate	Lens Material	Polycarbonate

## VSWD-270


BEACON SERIES

**R10**

**R65**



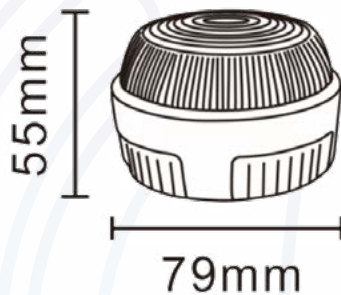
Part Number	Description
VSWD-270-1B-A	270 SERIES BEACON 1 BOLT AMBER 24LED
VSWD-270-3-A	270 SERIES BEACON 3 BOLT AMBER 24LED
VSWD-270-FD-A	270 SERIES BEACON FLEXI DIN AMBER 24LED
VSWD-270M-A	270 SERIES BEACON MAG AMBER 24LED

Flash Patterns	7 Patterns	Approvals	ECE R10, R65, TA1
Voltage	12-24v	IP Rating	IP67
LEDs	24 LEDs	Colours	
Mounting	Various, see above	Additional Features	
Dimensions	See above	Box Qty	20
Housing Material	Polycarbonate	Lens Material	Polycarbonate


## VSWD-FLT241

BEACON SERIES

**R10**



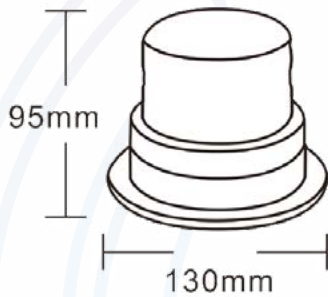
Part Number	Description
VSWD-FLT241-A	Bolt Fixing Amber
VSWD-FLT241-R	Bolt Fixing Red
VSWD-FLT241-G	Bolt Fixing Green

<b>Flash Patterns</b>	1 Pattern	<b>Approvals</b>	ECE R10 UKCA
<b>Voltage</b>	10-110v	<b>IP Rating</b>	IP67
<b>LEDs</b>	20 LEDs	<b>Colours</b>	
<b>Mounting</b>	See above	<b>Additional Features</b>	
<b>Dimensions</b>	See above	<b>Box Qty</b>	30
<b>Housing Material</b>	Polycarbonate	<b>Lens Material</b>	Polycarbonate

## VSWD-FLT278

BEACON SERIES

**R10**



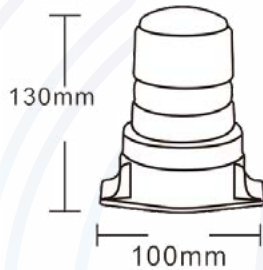
Part Number	Description
VSWD-FLT278-3-A	3 Bolt Fixing Amber

Flash Patterns	1 Pattern	Approvals	ECE R10 UKCA
Voltage	10-110v	IP Rating	IP65
LEDs	20 LEDs	Colours	
Mounting	See above	Additional Features	
Dimensions	See above	Box Qty	30
Housing Material	Polycarbonate	Lens Material	Polycarbonate

## VSWD-FLT280

BEACON SERIES

**R10**



Part Number	Description
VSWD-FLT280-A	2 Bolt Fixing Amber

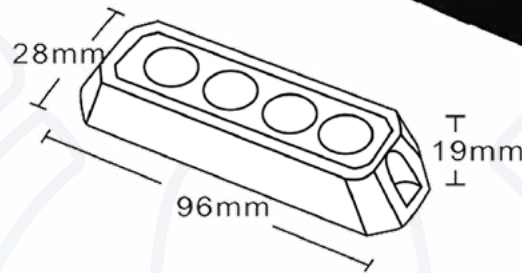
Flash Patterns	1 Pattern	Approvals	ECE R10 UKCA
Voltage	10-110v	IP Rating	IP65
LEDs	30 LEDs	Colours	
Mounting	See above	Additional Features	
Dimensions	See above	Box Qty	30
Housing Material	Polycarbonate	Lens Material	Polycarbonate

## VSWD-HLED


STROBE SERIES

**R10**

**R65**



Part Number	Description
VSWD-4HLED-A	4 LED Amber

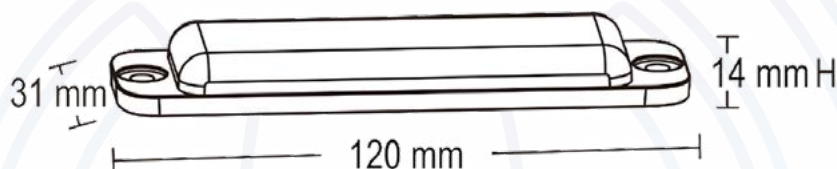
Flash Patterns	26 Patterns	Approvals	ECE R10 ECE R65
Voltage	9-30v	IP Rating	IP67
LEDs	4 LEDs	Colours	
Mounting	Bolt	Additional Features	Sync wire
Dimensions	See above	Box Qty	50
Housing Material	Aluminium	Lens Material	Polycarbonate

## VSWD-73


STROBE SERIES

**R10**

**R65**



Part Number	Description
VSWD-6H73-Colour	A = Amber

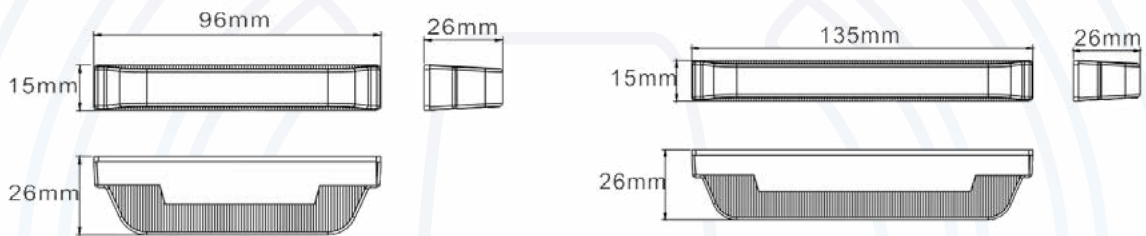
Flash Patterns	26 Patterns	Approvals	ECE R10 ECE R65
Voltage	9-30v	IP Rating	IP67
LEDs	6	Colours	
Mounting	Bolt	Additional Features	Sync wire
Dimensions	See above	Box Qty	50
Housing Material	Aluminium	Lens Material	Polycarbonate

## VSWD-705

STROBE SERIES

**R10**

**R65**



Part Number	+ Colour
VSWD-4H705-Colour	A = Amber
VSWD-6H705-Colour	B = Blue

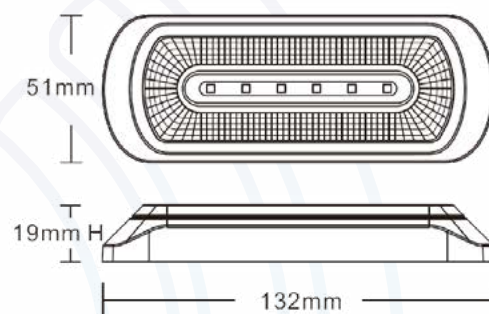
Flash Patterns	21 Patterns	Approvals	ECE R10, ECE R65 XA1/XB1
Voltage	9-30v	IP Rating	IP67
LEDs	4/6 LEDs	Colours	
Mounting	Bolt or Bracket	Additional Features	Sync wire
Dimensions	See above	Box Qty	50
Housing Material	Aluminium	Lens Material	Polycarbonate

## VSWD-706


STROBE SERIES

**R10**

**R65**



Part Number	Description
VSWD-6H706A-ST	6 LED Amber Warning/ 18 LED Red Tail
VSWD-6H706A-DI	6 LED Amber Warning/18 LED Amber Directional Indicator
VSWD-6H706A-RV	6 LED Amber Warning/18 LED White Reverse

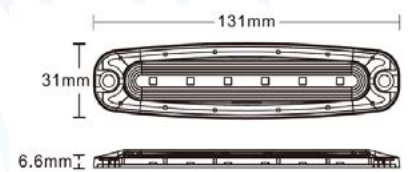
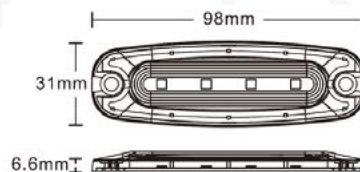
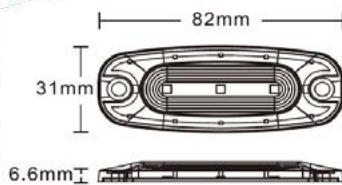
Flash Patterns	21 Patterns	Approvals	ECE R10, ECE R65 XAI, ECE R148
Voltage	9-30v	IP Rating	IP67
LEDs	6 + 18 LEDs	Colours	
Mounting	Bolt	Additional Features	Sync wire
Dimensions	See above	Box Qty	50
Housing Material	Aluminium	Lens Material	Polycarbonate

## VSWD-707


STROBE SERIES

**R10**

**R65**



Part Number	+ Colour
VSWD-3H707-Colour	A = Amber
VSWD-4H707-Colour	B = Blue
VSWD-6H707-Colour	R = Red
	W = White

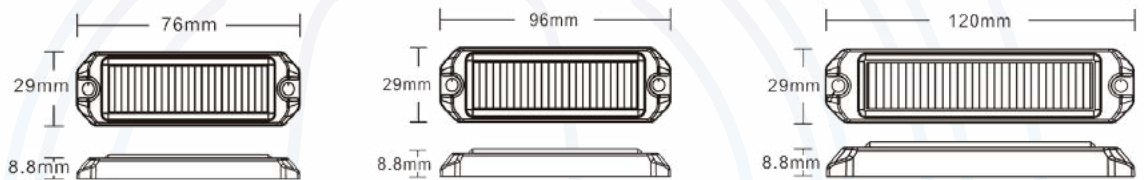
Flash Patterns	26 Patterns	Approvals	ECE R10 (All) ECE R65 (Amber & Blue)
Voltage	9-30v	IP Rating	IP67
LEDs	3/4/6 LEDs	Colours	
Mounting	Bolt or self adhesive	Additional Features	Sync wire
Dimensions	See above	Box Qty	50
Housing Material	Aluminium	Lens Material	Polycarbonate

## VSWD-708

STROBE SERIES

**R10**

**R65**



Part Number	+ Colour
VSWD-3H708-Colour	A = Amber
VSWD-4H708-Colour	B = Blue
VSWD-6H708-Colour	R = Red
VSWD-12H708-Colour/Colour	G = Green
	W = White

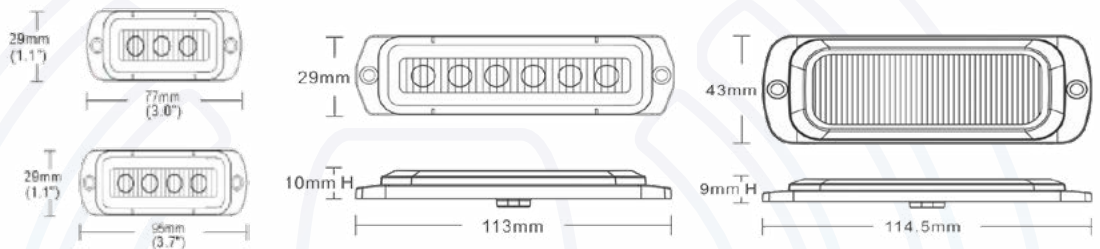
<b>Flash Patterns</b>	26 Patterns, 21 Dual Colour	<b>Approvals</b>	ECE R10 (All) ECE R65 (Amber & Blue)
<b>Voltage</b>	9-30v	<b>IP Rating</b>	IP67
<b>LEDs</b>	3/4/6/12 LEDs	<b>Colours</b>	
<b>Mounting</b>	Bolt	<b>Additional Features</b>	Sync wire
<b>Dimensions</b>	See above	<b>Box Qty</b>	50
<b>Housing Material</b>	Aluminium	<b>Lens Material</b>	Polycarbonate

## VSWD-709

STROBE SERIES

**R10**

**R65**



Part Number	+ Colour
VSWD-3H709-Colour	A = Amber
VSWD-4H709-Colour	B = Blue
VSWD-6H709-Colour	R = Red
VSWD-12H709-Colour	W = White

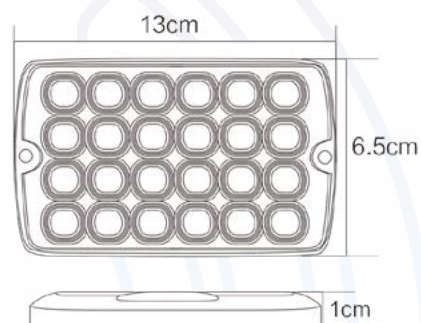
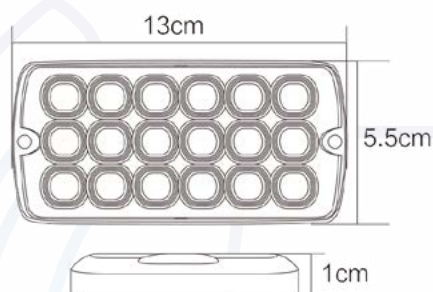
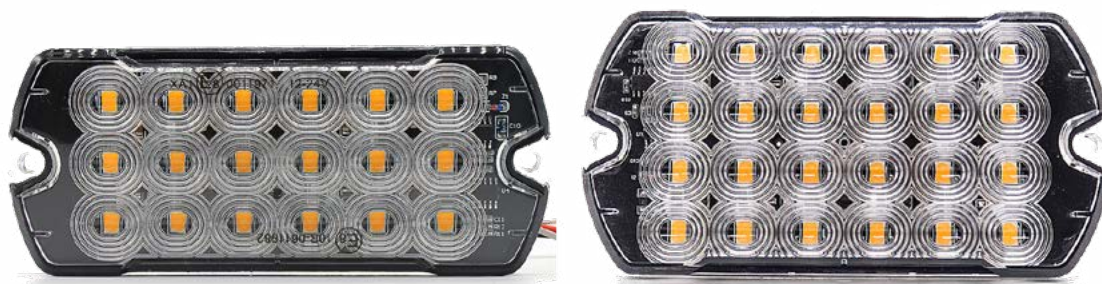
<b>Flash Patterns</b>	26/21 Patterns	<b>Approvals</b>	ECE R10 (All) ECE R65 (Amber) SAE J595 (Amber)
<b>Voltage</b>	9-30v	<b>IP Rating</b>	IP69k
<b>LEDs</b>	3/4/6/12 LEDs	<b>Colours</b>	
<b>Mounting</b>	Bolt	<b>Additional Features</b>	Sync wire
<b>Dimensions</b>	See above	<b>Box Qty</b>	50
<b>Housing Material</b>	Aluminium	<b>Lens Material</b>	Polycarbonate

## VSWD-710


STROBE SERIES

**R10**

**R65**



Part Number	+ Colour
VSWD-18H710-A	18 LED 710 series Amber 12-24v R10/R65
VSWD-24H710-A	24 LED 710 series Amber 12-24v R10/R65

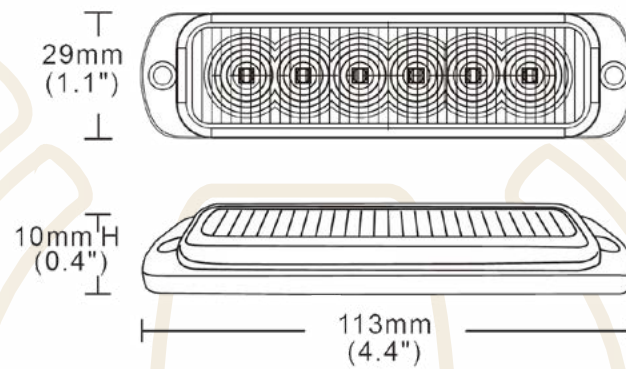
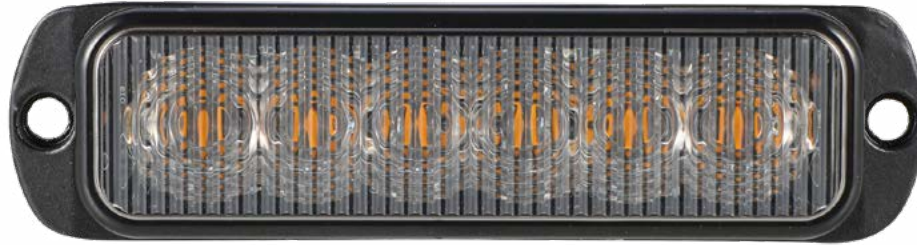
<b>Flash Patterns</b>	19 Patterns	<b>Approvals</b>	ECE R10 ECE R65 SAE 1
<b>Voltage</b>	12-24v	<b>IP Rating</b>	IP67
<b>LEDs</b>	See above	<b>Colours</b>	
<b>Mounting</b>	Brackets	<b>Additional Features</b>	
<b>Dimensions</b>	See above	<b>Box Qty</b>	100
<b>Housing Material</b>	Aluminium	<b>Lens Material</b>	Polycarbonate

## VSWD-711 Smoked


STROBE SERIES

**R10**

**R65**



Part Number	Description
VSWD-6H711-AS	711 Series Strobe Amber Smoked

<b>Flash Patterns</b>	26 Patterns	<b>Approvals</b>	ECE R10 ECE R65 XA1 SAE 1
<b>Voltage</b>	12-24v	<b>IP Rating</b>	IP69K
<b>LEDs</b>	6 LEDs	<b>Colours</b>	
<b>Mounting</b>	Brackets	<b>Additional Features</b>	
<b>Dimensions</b>	See above	<b>Box Qty</b>	50
<b>Housing Material</b>	Aluminium	<b>Lens Material</b>	Polycarbonate

## VSWD-6H75


STROBE SERIES

**R10**

**R65**



Part Number	Description
VSWD-6H75-A	6 LED Amber / Clear Lens 12-24v IP67
VSWD-6H75-AS	6 LED Amber / Smoked Lens 12-24v IP67
VSWD-6H75-AA	6 LED Amber / Amber Lens 12-24v IP67
VSWD-6H75-B	6 LED Blue / Clear Lens 12-24v IP67
VSWD-6H75-AR	6 LED Amber/Red / Clear Lens 12-24v IP67

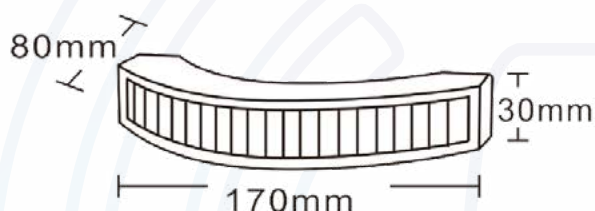
<b>Flash Patterns</b>	19 Patterns	<b>Approvals</b>	ECE R10 ECE R65
<b>Voltage</b>	12-24v	<b>IP Rating</b>	IP67 / IP69K
<b>LEDs</b>	6 / 12 LEDs	<b>Colours</b>	
<b>Mounting</b>	Bolt or Bracket	<b>Additional Features</b>	Sync wire
<b>Dimensions</b>	74 x 74 x 32mm	<b>Box Qty</b>	30
<b>Housing Material</b>	Aluminium	<b>Lens Material</b>	Polycarbonate

## VSWD-C704


STROBE SERIES

**R10**

**R65**



Part Number	Description
VSWD-C704-A	12 LED Corner Strobe Amber
VSWD-C704-B	12 LED Corner Strobe Blue

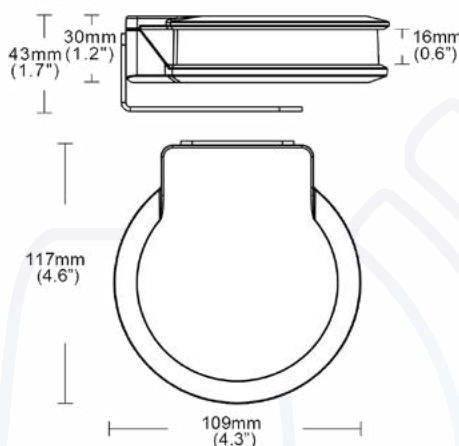
<b>Flash Patterns</b>	26 Patterns	<b>Approvals</b>	ECE R10 ECE R65
<b>Voltage</b>	9-30v	<b>IP Rating</b>	IP67
<b>LEDs</b>	12 LEDs	<b>Colours</b>	
<b>Mounting</b>	Bolt or Bracket	<b>Additional Features</b>	Sync wire
<b>Dimensions</b>	See above	<b>Box Qty</b>	30
<b>Housing Material</b>	Polycarbonate	<b>Lens Material</b>	Polycarbonate

## VSWD-C722


STROBE SERIES

**R10**

**R65**



Part Number	Description
VSWD-C722-AC	40 LED Corner strobes Amber R10/R65 IP69k 12-24v
VSWD-C722-BC	40 LED Corner strobes Blue R10/R65 IP69k 12-24v

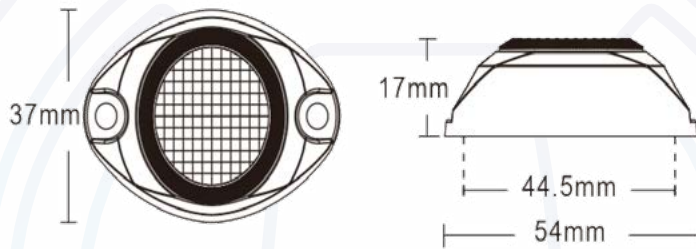
<b>Flash Patterns</b>	19 Patterns	<b>Approvals</b>	ECE R10, ECE R65
<b>Voltage</b>	12-24v	<b>IP Rating</b>	IP69K
<b>LEDs</b>	40 LEDs	<b>Colours</b>	
<b>Mounting</b>	Mounting bracket	<b>Additional Features</b>	Sync wire
<b>Dimensions</b>	117 x 109 x 30mm	<b>Box Qty</b>	30
<b>Housing Material</b>	Polycarbonate	<b>Lens Material</b>	Polycarbonate

## VSWD-HL300

STROBE SERIES

**R10**

**R65**



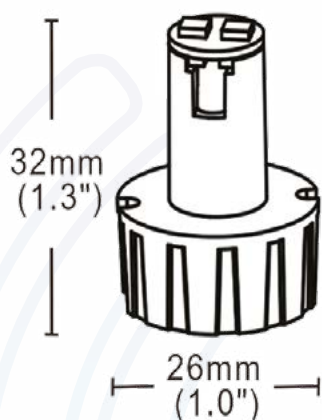
Part Number	+ Colour
VSWD-HL300-Colour	A = Amber B = Blue R = Red W = White

<b>Flash Patterns</b>	21 Patterns	<b>Approvals</b>	ECE R10 (All) ECE R65 (Amber & Blue)
<b>Voltage</b>	9-30v	<b>IP Rating</b>	IP69K
<b>LEDs</b>	4 LEDs	<b>Colours</b>	
<b>Mounting</b>	Screws	<b>Additional Features</b>	Sync wire
<b>Dimensions</b>	See above	<b>Box Qty</b>	50
<b>Housing Material</b>	Aluminium	<b>Lens Material</b>	Polycarbonate


## VSWD-HL301

STROBE SERIES

**R10**



Part Number	+ Colour
VSWD-HL301-Colour	A = Amber B = Blue R = Red W = White

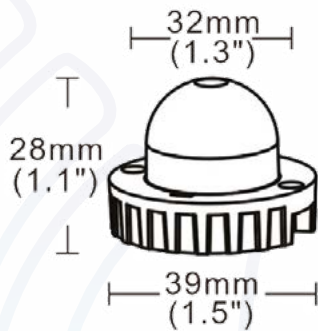
<b>Flash Patterns</b>	21 Patterns	<b>Approvals</b>	ECE R10 (All) ECE R65 (Amber)
<b>Voltage</b>	12-24v	<b>IP Rating</b>	N/A
<b>LEDs</b>	2 LEDs	<b>Colours</b>	
<b>Mounting</b>	Self Adhesive or Bolts	<b>Additional Features</b>	Sync wire
<b>Dimensions</b>	See above	<b>Box Qty</b>	50
<b>Housing Material</b>	Aluminium	<b>Lens Material</b>	N/A

## VSWD-HL305

STROBE SERIES

**R10**

**R65**



Part Number	+ Colour
VSWD-HL305-Colour	A = Amber B = Blue R = Red W = White

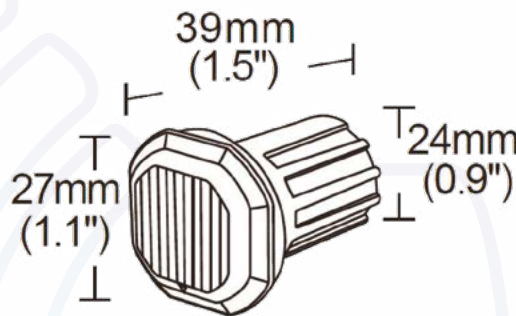
<b>Flash Patterns</b>	21 Patterns	<b>Approvals</b>	ECE R10 (All) ECE R65 (Amber)
<b>Voltage</b>	12-24v	<b>IP Rating</b>	IP67
<b>LEDs</b>	6 LEDs	<b>Colours</b>	
<b>Mounting</b>	Bolts with Black Cover	<b>Additional Features</b>	Sync wire
<b>Dimensions</b>	See above	<b>Box Qty</b>	50
<b>Housing Material</b>	Aluminium	<b>Lens Material</b>	Polycarbonate

## VSWD-HIL308

STROBE SERIES

**R10**

**R65**



Part Number	+ Colour
VSWD-HIL308-Colour	A = Amber B = Blue R = Red W = White

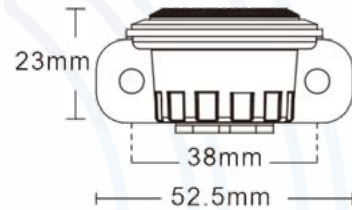
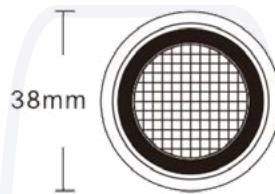
Flash Patterns	21 Patterns	Approvals	ECE R10 (All) ECE R65 (Amber)
Voltage	12-24v	IP Rating	IP67
LEDs	4 LEDs	Colours	
Mounting	Bracket	Additional Features	Sync wire
Dimensions	See above	Box Qty	50
Housing Material	Aluminium	Lens Material	Polycarbonate

## VSWD-HIL310

STROBE SERIES

**R10**

**R65**



Part Number	+ Colour
VSWD-HIL310-Colour	A = Amber B = Blue R = Red W = White

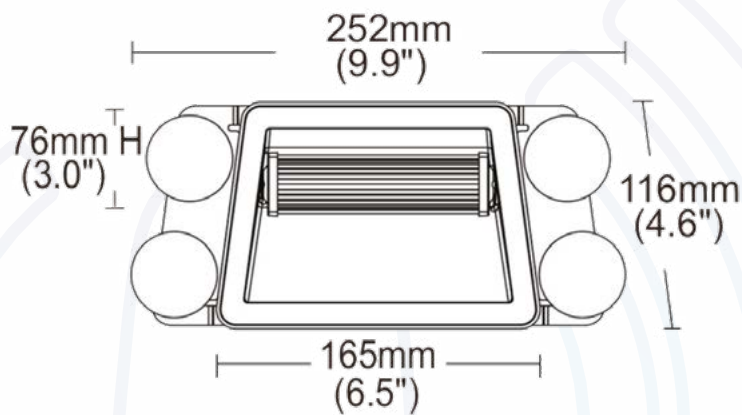
<b>Flash Patterns</b>	21 Patterns	<b>Approvals</b>	ECE R10 (All) ECE R65 (Amber & Blue)
<b>Voltage</b>	9-30v	<b>IP Rating</b>	IP69K
<b>LEDs</b>	4 LEDs	<b>Colours</b>	
<b>Mounting</b>	Surface or Bracket	<b>Additional Features</b>	Sync wire
<b>Dimensions</b>	See above	<b>Box Qty</b>	50
<b>Housing Material</b>	Aluminium	<b>Lens Material</b>	Polycarbonate

## VSWD-DL18


STROBE SERIES

**R10**

**R65**



Part Number	+ Colour
VSWD-DL18R65-Colour	A = Amber
VSWD-DL18R65S-Colour/Colour	B = Blue

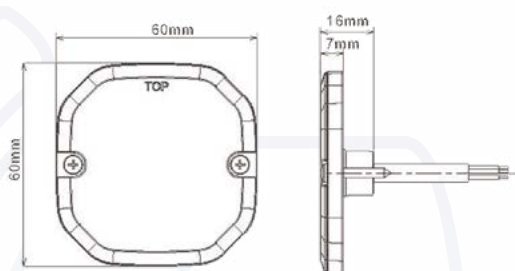
<b>Flash Patterns</b>	19 Patterns	<b>Approvals</b>	ECE R10, R65 XA2/XB2
<b>Voltage</b>	12-24v	<b>IP Rating</b>	IP67
<b>LEDs</b>	18 LEDs	<b>Colours</b>	
<b>Mounting</b>	Suction Cup	<b>Additional Features</b>	Can be synchronised
<b>Dimensions</b>	See above	<b>Box Qty</b>	
<b>Housing Material</b>	Polycarbonate	<b>Lens Material</b>	Polycarbonate

## VSWD-S500

STROBE SERIES

**R10**

**R65**



Part Number	+ Colour
VSWD-S500-Colour	A = Amber
VSWD-S500-Colour/Colour (Dual Colour)	B = Blue
	R = Red
	W=White

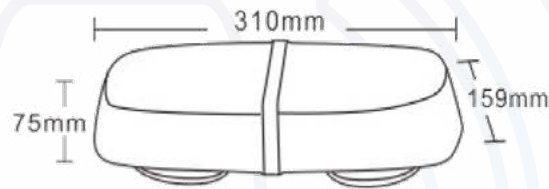
<b>Flash Patterns</b>	10 Patterns	<b>Approvals</b>	ECE R10, R65 Class 2, SAE
<b>Voltage</b>	10-30v	<b>IP Rating</b>	IP67
<b>LEDs</b>	5 LEDs	<b>Colours</b>	
<b>Mounting</b>	Surface mounts, bolts	<b>Additional Features</b>	Sync wire
<b>Dimensions</b>	See above	<b>Box Qty</b>	100
<b>Housing Material</b>	Aluminium	<b>Lens Material</b>	Polycarbonate

## VSWD-112


MINI BAR SERIES

**R10**

**R65**



Part Number	Description
VSWD-112-1B-A	1 Bolt Fixing, Amber
VSWD-112-M-A	Magnetic Fixing, Amber

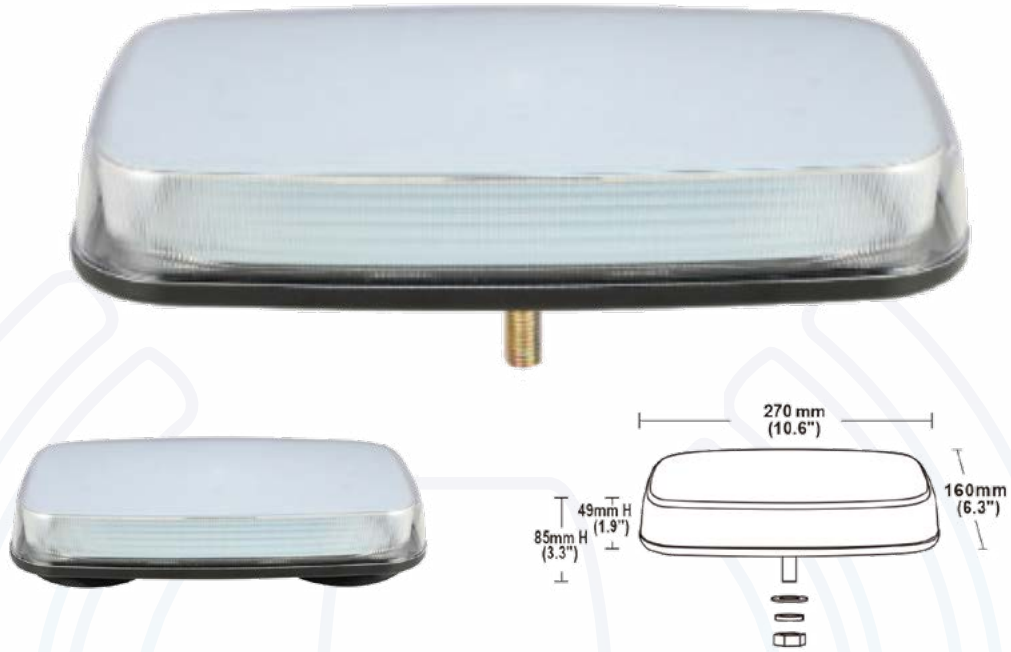
Flash Patterns	8 Patterns	Approvals	ECE R10 ECE R65
Voltage	9-30v	IP Rating	IP65
LEDs	72 LEDs	Colours	
Mounting	1 Bolt or Magnetic	Additional Features	Sync wire, Cable Loom & Switch included
Dimensions	See above	Box Qty	12
Housing Material	Polycarbonate	Lens Material	Polycarbonate

## VSWD-114

MINI BAR SERIES

**R10**

**R65**



Part Number	Description
VSWD-114-1B-A	114 Mini Bar 270mm Amb Led/Clear Lens 1 bolt
VSWD-114-M-A	114 Mini Bar 270mm Amb Led/Clear Lens Magnetic

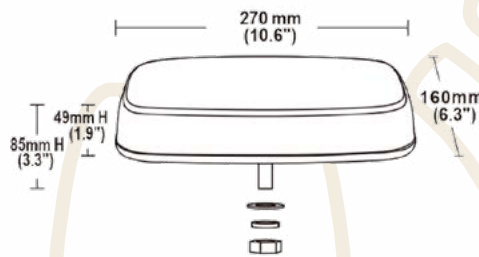
Flash Patterns	26 Patterns	Approvals	ECE R10 ECE R65 TA1 UKCA
Voltage	10-30v	IP Rating	IP67
LEDs	60 LEDs	Colours	
Mounting	See above	Additional Features	Sync wire, Cable Loom & Switch included
Dimensions	See above	Box Qty	12
Housing Material	Polycarbonate	Lens Material	Polycarbonate

## VSWD-114 Smoked


MINI BAR SERIES

**R10**

**R65**



Part Number	Description
VSWD-114-1B-AS	114 Mini Bar 270mm Amb Led/Clear Lens 1 bolt 10-30v R65/R10

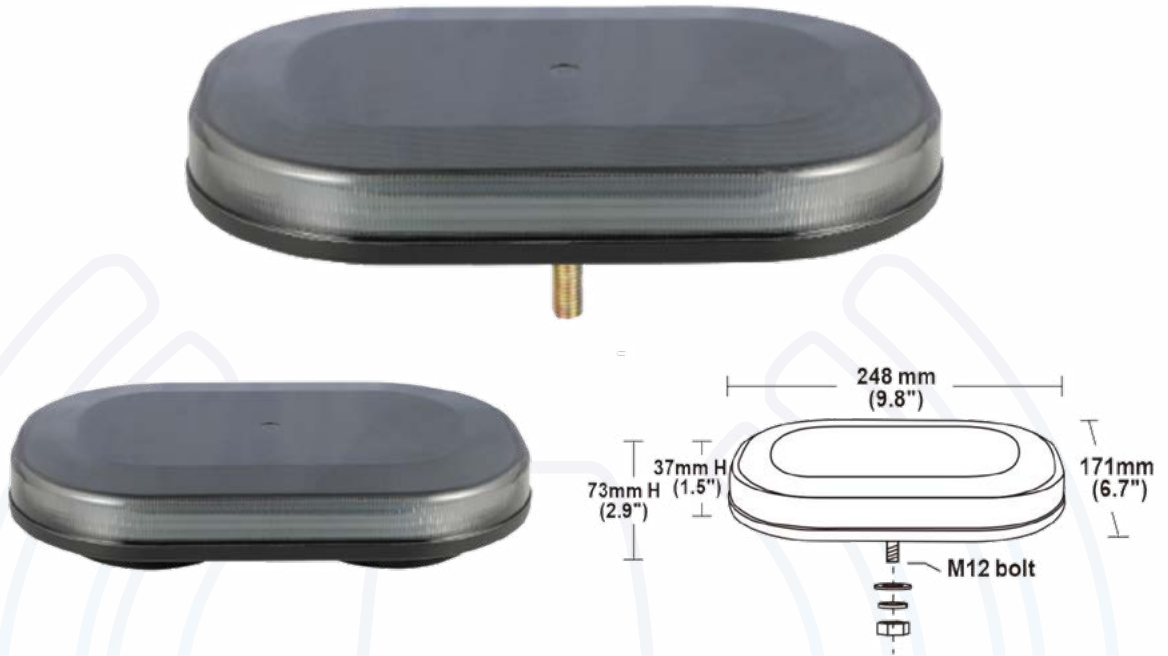
<b>Flash Patterns</b>	26 Patterns	<b>Approvals</b>	ECE R10 ECE R65 TA1 UKCA
<b>Voltage</b>	10-30v	<b>IP Rating</b>	IP67
<b>LEDs</b>	60 LEDs	<b>Colours</b>	
<b>Mounting</b>	See above	<b>Additional Features</b>	Sync wire, Cable Loom & Switch included
<b>Dimensions</b>	See above	<b>Box Qty</b>	12
<b>Housing Material</b>	Polycarbonate	<b>Lens Material</b>	Polycarbonate

## VSWD-116


MINI BAR SERIES

**R10**

**R65**



Part Number	Description
VSWD-116-1B-A	116 Mini Bar 248mm Amb Led/Clear Lens 1 bolt
VSWD-116-M-A	116 Mini Bar 248mm Amb Led/Clear Lens Magnetic
VSWD-116-1B-AB	116 Mini Bar 248mm Amb/Blue Clear 1 bolt 10-30v R65/R10
VSWD-116M-AB	116 Mini Bar 248mm Amb/Blue Clear Mag 10-30v R65/R10

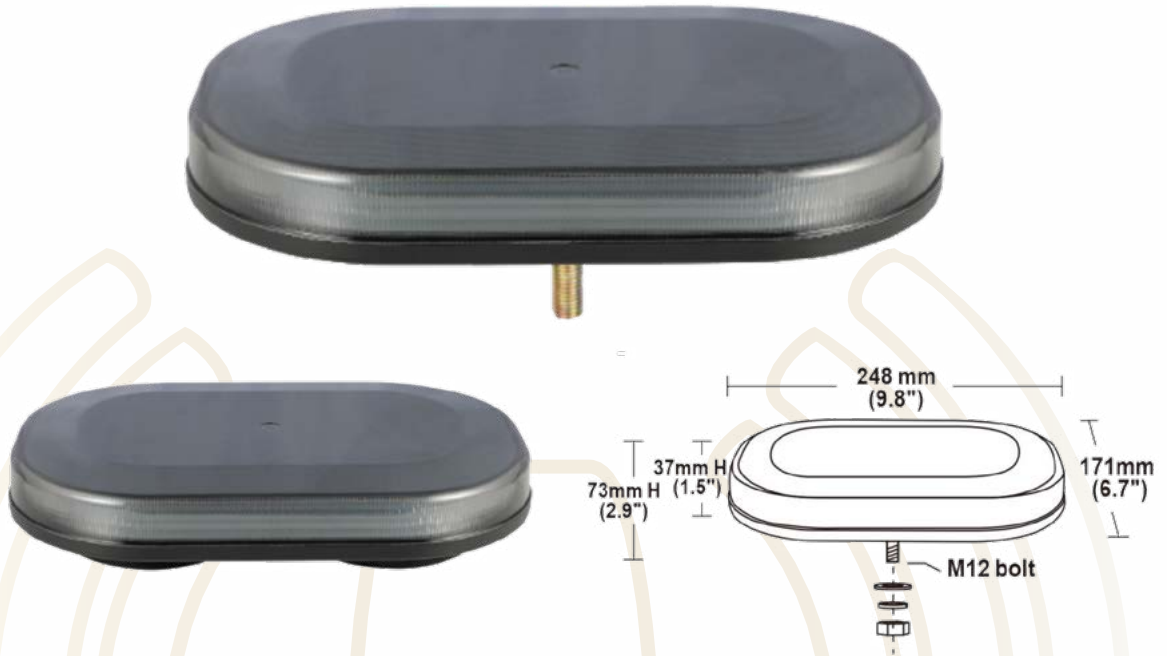
<b>Flash Patterns</b>	26 Patterns	<b>Approvals</b>	ECE R10 ECE R65/R10 TA2 UKCA TB1
<b>Voltage</b>	10-30v	<b>IP Rating</b>	IP67
<b>LEDs</b>	60 / 120 LEDs	<b>Colours</b>	
<b>Mounting</b>	See above	<b>Additional Features</b>	Sync wire, Cable Loom & Switch included. Smoked lens option available.
<b>Dimensions</b>	See above	<b>Box Qty</b>	12
<b>Housing Material</b>	Polycarbonate	<b>Lens Material</b>	Polycarbonate

## VSWD-116 Smoked


MINI BAR SERIES

**R10**

**R65**



Part Number	Description
VSWD-116-1B-S	116 Mini Bar 248mm Amb Led/Smoked Lens 1 bolt
VSWD-116-M-AS	116 Mini Bar 248mm Amb Led/Clear Lens Magnetic

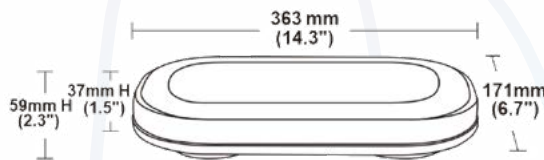
<b>Flash Patterns</b>	26 Patterns	<b>Approvals</b>	ECE R10 ECE R65/R10 TA1 UKCA TB1
<b>Voltage</b>	10-30v	<b>IP Rating</b>	IP67
<b>LEDs</b>	60 / 120 LEDs	<b>Colours</b>	
<b>Mounting</b>	See above	<b>Additional Features</b>	Sync wire, Cable Loom & Switch included.
<b>Dimensions</b>	See above	<b>Box Qty</b>	12
<b>Housing Material</b>	Polycarbonate	<b>Lens Material</b>	Polycarbonate

## VSWD-117

MINI BAR SERIES

**R10**

**R65**



Part Number	Description
VSWD-117-1B-A	117 Mini Bar 363mm Amb Led/Clear Lens 1 Bolt
VSWD-117M-A	117 Mini Bar 363mm Amb Led/Clear Lens Magnetic

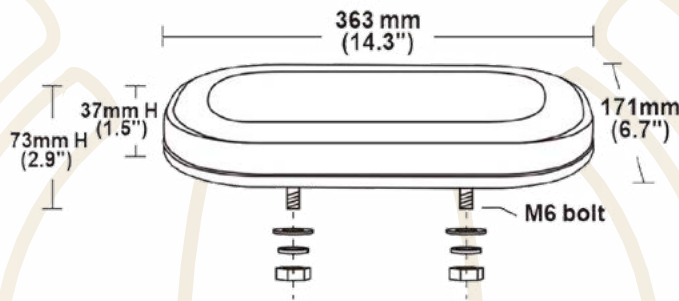
Flash Patterns	26 Patterns	Approvals	ECE R10 ECE R65 TA2 UKCA
Voltage	10-30v	IP Rating	IP67
LEDs	72 LEDs	Colours	
Mounting	See above	Additional Features	Sync wire. Smoked lens option available.
Dimensions	See above	Box Qty	12
Housing Material	Polycarbonate	Lens Material	Polycarbonate

## VSWD-117 Smoked


MINI BAR SERIES

**R10**

**R65**



Part Number	Description
VSWD-117-1B-AS	117 Mini Bar 363mm 1 Bolt Amber LED/Smoked Lens

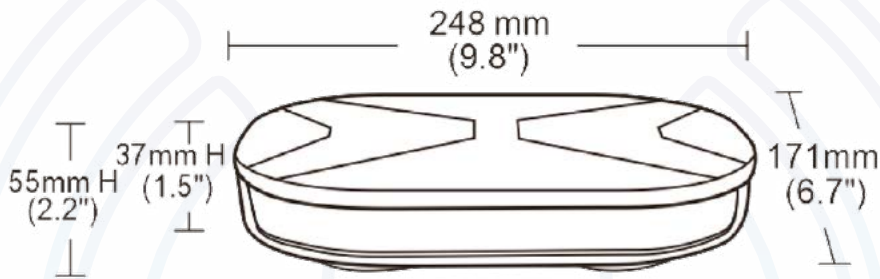
<b>Flash Patterns</b>	26 Patterns	<b>Approvals</b>	ECE R10 ECE R65 TA1 UKCA
<b>Voltage</b>	10-30v	<b>IP Rating</b>	IP67
<b>LEDs</b>	72 LEDs	<b>Colours</b>	
<b>Mounting</b>	See above	<b>Additional Features</b>	Sync wire. Smoked lens option available.
<b>Dimensions</b>	See above	<b>Box Qty</b>	12
<b>Housing Material</b>	Polycarbonate	<b>Lens Material</b>	Polycarbonate

## VSWD-138

MINI BAR SERIES

**R10**

**R65**



Part Number	Description
VSWD-138-1B-A	138 Mini Bar 248mm 1 Bolt Amber
VSWD-138M-A	138 Mini Bar 248mm Magnetic Amber

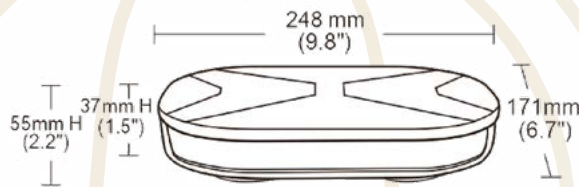
<b>Flash Patterns</b>	26 Patterns	<b>Approvals</b>	ECE R10, R65 TA2
<b>Voltage</b>	12-24v	<b>IP Rating</b>	IP67
<b>LEDs</b>	60 LEDs	<b>Colours</b>	
<b>Mounting</b>	1 Bolt / Mag	<b>Additional Features</b>	Black lid
<b>Dimensions</b>	See above	<b>Box Qty</b>	12
<b>Housing Material</b>	Polycarbonate	<b>Lens Material</b>	Polycarbonate

## VSWD-138 Smoked


MINI BAR SERIES

**R10**

**R65**



Part Number	Description
VSWD-138-1B-AS	138 Mini Bar 248mm 1 Bolt Amber Smoked
VSWD-138M-AS	138 Mini Bar 248mm Magnetic Amber Smoked

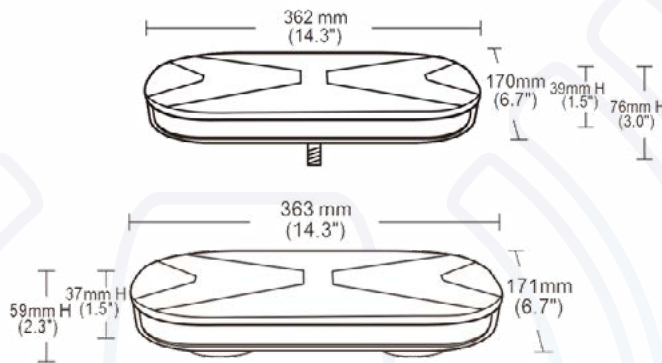
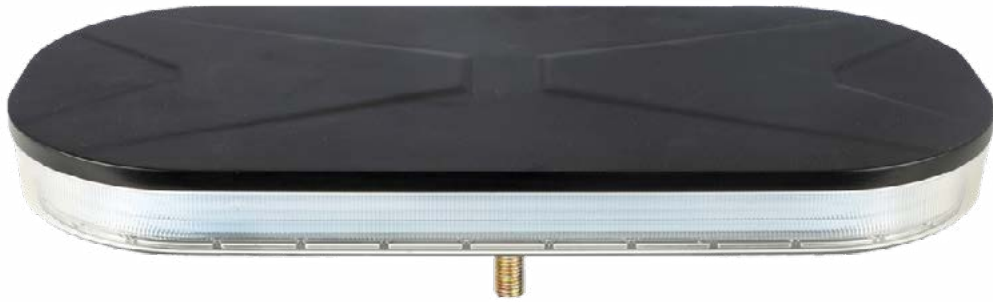
<b>Flash Patterns</b>	26 Patterns	<b>Approvals</b>	ECE R10, R65 TA1
<b>Voltage</b>	12-24v	<b>IP Rating</b>	IP67
<b>LEDs</b>	60 LEDs	<b>Colours</b>	
<b>Mounting</b>	1 Bolt / Mag	<b>Additional Features</b>	
<b>Dimensions</b>	See above	<b>Box Qty</b>	12
<b>Housing Material</b>	Polycarbonate	<b>Lens Material</b>	Polycarbonate

## VSWD-139


MINI BAR SERIES

**R10**

**R65**



Part Number	Description
VSWD-139-1B-A	139 Mini Bar 363mm 1 Bolt Amber, includes mini riser bracket
VSWD-139M-A	139 Mini Bar 363mm Magnetic Amber

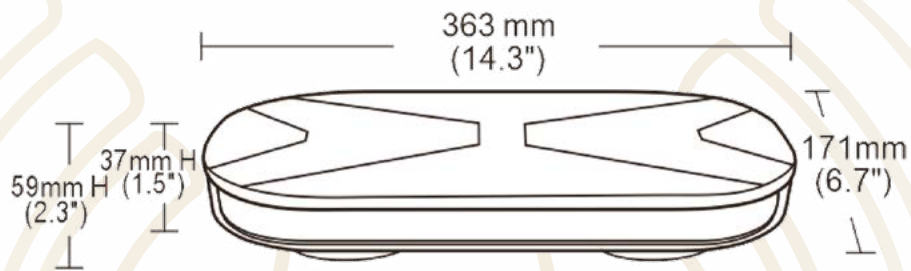
<b>Flash Patterns</b>	26 Patterns	<b>Approvals</b>	ECE R10, R65 TA2
<b>Voltage</b>	12-24v	<b>IP Rating</b>	IP67
<b>LEDs</b>	72 LEDs	<b>Colours</b>	
<b>Mounting</b>	1 Bolt / Mag	<b>Additional Features</b>	Black lid
<b>Dimensions</b>	See above	<b>Box Qty</b>	6
<b>Housing Material</b>	Polycarbonate	<b>Lens Material</b>	Polycarbonate

## VSWD-139 Smoked


MINI BAR SERIES

**R10**

**R65**



Part Number	Description
VSWD-139-1B-AS	139 Mini Bar 363mm 1 Bolt Amber Smoked, includes mini riser bracket

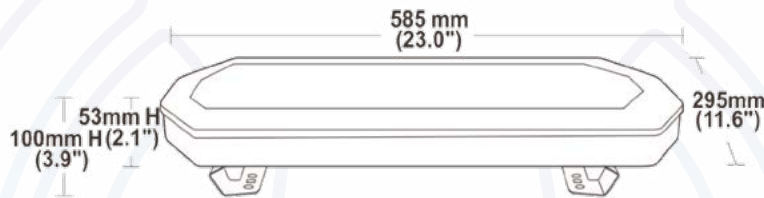
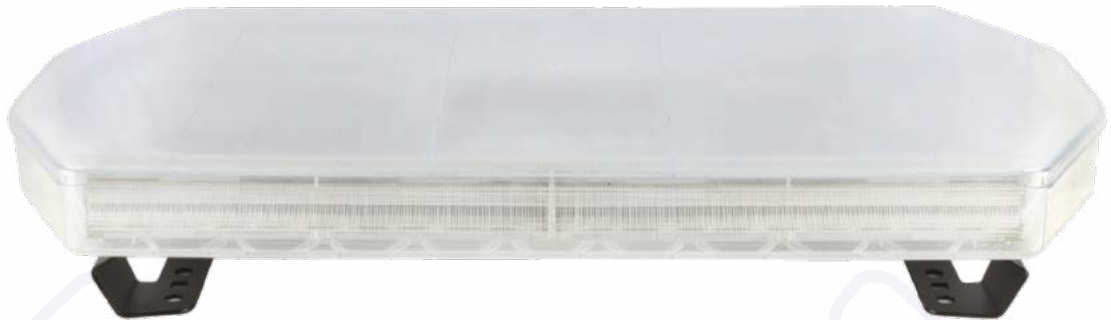
<b>Flash Patterns</b>	26 Patterns	<b>Approvals</b>	ECE R10, R65 TA1
<b>Voltage</b>	10-30v	<b>IP Rating</b>	IP67
<b>LEDs</b>	72 LEDs	<b>Colours</b>	
<b>Mounting</b>	1 Bolt	<b>Additional Features</b>	
<b>Dimensions</b>	See above	<b>Box Qty</b>	6
<b>Housing Material</b>	Polycarbonate	<b>Lens Material</b>	Polycarbonate

## VSWD-156


MINI BAR SERIES

**R10**

**R65**



Part Number	Description
VSWD-156-A	VSWD-156-A 2FT Light Bar Amber 4 Bolt Fixing

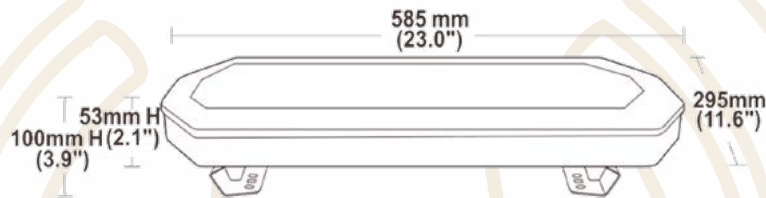
Flash Patterns	26 Patterns	Approvals	ECE R10 ECE R65
Voltage	9-30v	IP Rating	IP67
LEDs	200 LEDs	Colours	
Mounting	4 Bolt	Additional Features	
Dimensions	See above	Box Qty	3
Housing Material	Polycarbonate	Lens Material	Polycarbonate

## VSWD-156 Smoked


MINI BAR SERIES

**R10**

**R65**



Part Number	Description
VSWD-156-AS	2FT Light Bar Amber Smoked 4 Bolt Fixing

<b>Flash Patterns</b>	26 Patterns	<b>Approvals</b>	ECE R10 ECE R65
<b>Voltage</b>	12-24v	<b>IP Rating</b>	IP67
<b>LEDs</b>	200 LEDs	<b>Colours</b>	
<b>Mounting</b>	4 Bolt	<b>Additional Features</b>	
<b>Dimensions</b>	See above	<b>Box Qty</b>	3
<b>Housing Material</b>	Polycarbonate	<b>Lens Material</b>	Polycarbonate

## VSWD-770


LIGHTBAR SERIES

**R10**

**R65**



Part Number	Description
VSWD-771-A	770 Series 600MM Amber/Clear 108LED
VSWD-772-A	770 Series 900MM Amber/Clear 156LED
VSWD-773-A	770 Series 1200MM Amber/Clear 204LED
VSWD-775-A	770 Series 1500MM Amber/Clear 252LED

<b>Flash Patterns</b>	27 Patterns	<b>Approvals</b>	ECE R10 ECE R65 Class 1/2 Meets CAP168
<b>Voltage</b>	12-24v	<b>IP Rating</b>	IP67
<b>LEDs</b>	See above	<b>Colours</b>	
<b>Mounting</b>	Bracket	<b>Additional Features</b>	Magnet available 600mm
<b>Dimensions</b>	100mm wide 45mm deep	<b>Box Qty</b>	1
<b>Housing Material</b>	Polycarbonate	<b>Lens Material</b>	Polycarbonate

## VSWD-770 Smoked


LIGHTBAR SERIES

**R10**

**R65**



Part Number	Description
VSWD-771-AS	770 Series 600MM Amber/Smoked 108LED
VSWD-771M-AS	770 Series 600MM Amber/Smoked Mag 108LED
VSWD-772-AS	770 Series 900MM Amber/Smoked 156LED
VSWD-773-AS	770 Series 1200MM Amber/Smoked 204LED
VSWD-775-AS	770 Series 1500MM Amber/Smoked 252LED

<b>Flash Patterns</b>	27 Patterns	<b>Approvals</b>	ECE R10 ECE R65 Class 1 Meets CAP168
<b>Voltage</b>	12-24v	<b>IP Rating</b>	IP67
<b>LEDs</b>	See above	<b>Colours</b>	
<b>Mounting</b>	Bracket	<b>Additional Features</b>	Magnet available 600mm
<b>Dimensions</b>	100mm wide 45mm deep	<b>Box Qty</b>	1
<b>Housing Material</b>	Polycarbonate	<b>Lens Material</b>	Polycarbonate

## VSWD-780


LIGHTBAR SERIES

**R10**

**R65**



Part Number	Description
VSWD-781-A	780 Series 600mm Amber Black Lid 164 LEDs
VSWD-782-A	780 Series 900mm Amber Black Lid 224 LEDs
VSWD-783-A	780 Series 1200mm Amber Black Lid 284 LEDs
VSWD-785-A	780 Series 1500mm Amber Black Lid 344 LEDs
VSWD-786-A	780 Series 1800mm Amber Black Lid 404 LEDs

<b>Flash Patterns</b>	27 Patterns	<b>Approvals</b>	ECE R10, R65 TA2 Meets CAP168
<b>Voltage</b>	12-24v	<b>IP Rating</b>	IP67
<b>LEDs</b>	See above	<b>Colours</b>	
<b>Mounting</b>	Bracket Mount	<b>Additional Features</b>	Built in traffic director
<b>Dimensions</b>	215mmWide 44mm Deep	<b>Box Qty</b>	Various
<b>Housing Material</b>	Polycarbonate	<b>Lens Material</b>	Polycarbonate

## VSWD-790


LIGHTBAR SERIES

**R10**

**R65**



Part Number	Description
VSWD-791-A	790 Series 560mm All Amber 120 LED
VSWD-792-A	790 Series 880mm All Amber 180 LED
VSWD-793-A	790 Series 1200mm All Amber 240 LED
VSWD-793-A-STT	790 Series 1200MM STT Bar 308 LED R148
VSWD-795-A	790 Series 1520mm All Amber 300 LED
VSWD-795-A-STT	790 Series 1520mm STT Bar 368 LED R148
VSWD-796-A	790 Series 1840mm All Amber 360 LED
VSWD-797-A	790 Series 2160mm All Amber 420 LED

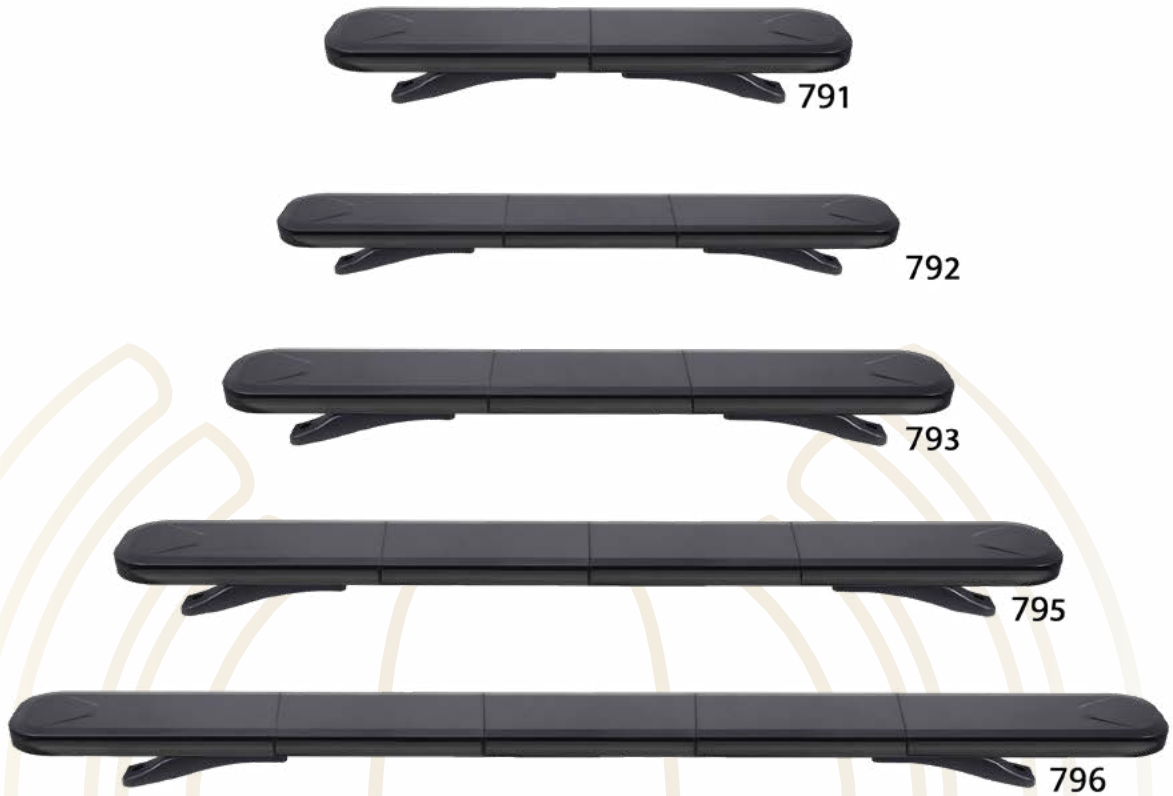
<b>Flash Patterns</b>	26/28 Patterns	<b>Approvals</b>	ECE R10 (All), ECE R65 TA2 (Amber), TB2 (Blue)
<b>Voltage</b>	10-30v	<b>IP Rating</b>	IP66
<b>LEDs</b>	See above	<b>Colours</b>	
<b>Mounting</b>	Brackets	<b>Additional Features</b>	Blue/Dual Colour/STT available on request
<b>Dimensions</b>	Above x 200 x 44mm	<b>Box Qty</b>	1-2
<b>Housing Material</b>	Aluminium	<b>Lens Material</b>	Polycarbonate

## VSWD-790 Smoked


LIGHTBAR SERIES

**R10**

**R65**



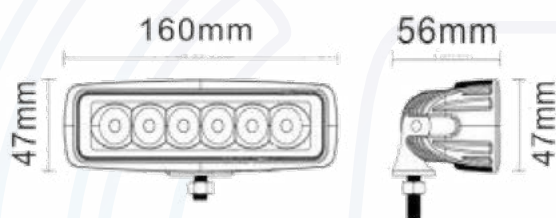
Part Number	Description
VSWD-791-AS	790 Series 560mm Amber Smoked 132 LED
VSWD-792-AS	790 Series 880mm Amber Smoked 192 LED
VSWD-793-AS	790 Series 1200mm Amber Smoked 252 LED
VSWD-795-AS	790 Series 1520mm Amber Smoked 312 LED
VSWD-796-AS	790 Series 1840mm Amber Smoked 372 LED

<b>Flash Patterns</b>	26/28 Patterns	<b>Approvals</b>	ECE R10 (All), ECE R65 TA1
<b>Voltage</b>	10-30v	<b>IP Rating</b>	IP66
<b>LEDs</b>	See above	<b>Colours</b>	
<b>Mounting</b>	Brackets	<b>Additional Features</b>	
<b>Dimensions</b>	Above x 200 x 44mm	<b>Box Qty</b>	1-2
<b>Housing Material</b>	Aluminium	<b>Lens Material</b>	Polycarbonate

## VSWD-WL601

WORKLAMPS

**R10**

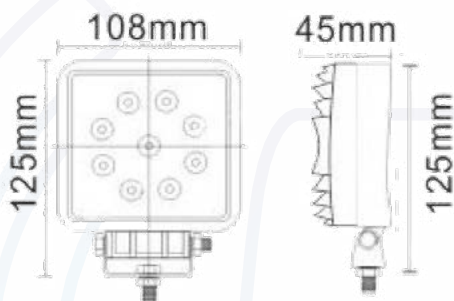


Part Number		Description	
VSWD-WL601-S		18W Rect Lamp - Spot Beam	
Lumens	1260	Approvals	ECE R10 UKCA
Voltage	12-80v	IP Rating	IP67
LEDs	6 LEDs	Beam Pattern	Spot
Mounting	Bracket	Additional Features	
Dimensions	See above	Box Qty	30
Housing Material	Aluminium	Lens Material	Polycarbonate

## VSWD-WL602

WORKLAMPS

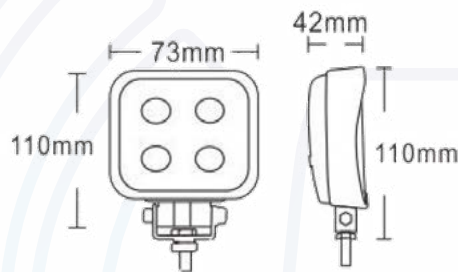
**R10**



Part Number		Description	
VSWD-WL602-F		27w Square Lamp - Flood Beam	
Lumens	1400	Approvals	ECE R10 UKCA
Voltage	12-80v	IP Rating	IP67
LEDs	9 LEDs	Beam Pattern	Flood
Mounting	Bracket	Additional Features	
Dimensions	See above	Box Qty	30
Housing Material	Aluminium	Lens Material	PMMA

## VSWD-WL604

WORKLAMPS

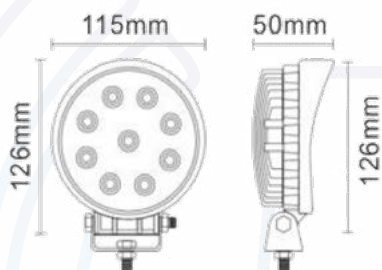


Part Number		Description	
VSWD-WL604-S		12w Square Lamp - Spot Beam	
Lumens	1080	Approvals	ECE R10 UKCA
Voltage	12-80v	IP Rating	IP67
LEDs	4 LEDs	Beam Pattern	Spot
Mounting	Bracket	Additional Features	
Dimensions	See above	Box Qty	50
Housing Material	Aluminium	Lens Material	PMMA

## VSWD-WL605

WORKLAMPS

**R10**



Part Number		Description	
VSWD-WL605-F		27w Round Lamp - Flood Beam	
Lumens	1400	Approvals	ECE R10 UKCA
Voltage	12-80v	IP Rating	IP67
LEDs	9 LEDs	Beam Pattern	Flood
Mounting	Bracket	Additional Features	
Dimensions	See above	Box Qty	30
Housing Material	Aluminium	Lens Material	PMMA

## VSWD-WL606

WORKLAMPS

**R10**



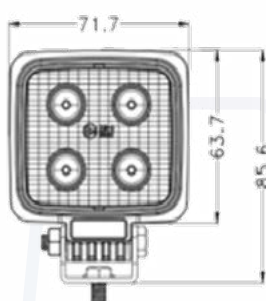
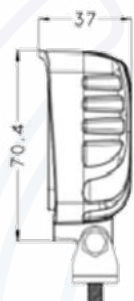
Part Number	Description
VSWD-WL606-F	27w Round Lamp - Flood Beam with handle, mag base and plug

<b>Lumens</b>	1400	<b>Approvals</b>	ECE R10 UKCA
<b>Voltage</b>	10-80v	<b>IP Rating</b>	IP67
<b>LEDs</b>	9 LEDs	<b>Beam Pattern</b>	Flood
<b>Mounting</b>	Bracket	<b>Additional Features</b>	Handle, Mag Base, Cigarette Plug
<b>Dimensions</b>	See above	<b>Box Qty</b>	20
<b>Housing Material</b>	Aluminium	<b>Lens Material</b>	PMMA

## VSWD-WL610

WORKLAMPS

**R10**



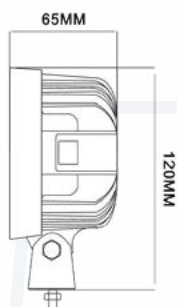
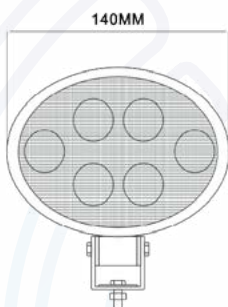
Part Number	Description
VSWD-WL610-F-AMP	12w Square Lamp R23 Amp - Flood Beam with amp connector

<b>Lumens</b>	820	<b>Approvals</b>	ECE R10 R23
<b>Voltage</b>	9-32v	<b>IP Rating</b>	IP68
<b>LEDs</b>	4 LEDs	<b>Beam Pattern</b>	Flood
<b>Mounting</b>	Bracket	<b>Additional Features</b>	AMP Connector
<b>Dimensions</b>	See above	<b>Box Qty</b>	40
<b>Housing Material</b>	Aluminium	<b>Lens Material</b>	Polycarbonate

## VSWD-WL611

WORKLAMPS

**R10**



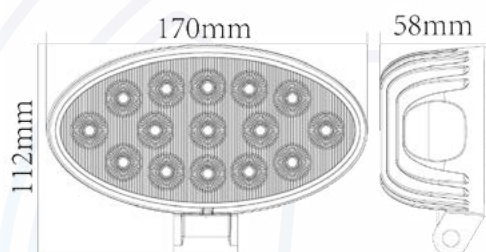
Part Number	Description
VSWD-WL611-F	30w Oval Lamp - Flood Beam
VSWD-WL611-S-B	30w Oval Lamp - Spot Beam Blue

<b>Lumens</b>	White 2500 Blue 1000	<b>Approvals</b>	ECE R10
<b>Voltage</b>	10-30v	<b>IP Rating</b>	IP67
<b>LEDs</b>	6 LEDs	<b>Beam Pattern</b>	White - Flood Blue Spot
<b>Mounting</b>	Bracket	<b>Additional Features</b>	AMP Connector
<b>Dimensions</b>	120 x 140 x 65mm	<b>Box Qty</b>	20
<b>Housing Material</b>	Aluminium	<b>Lens Material</b>	Polycarbonate

## VSWD-WL614

WORKLAMPS

**R10**



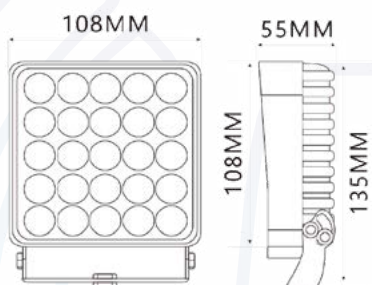
Part Number	Description
VSWD-WL614-F	75w Oval Lamp - Flood Beam

<b>Lumens</b>	5250	<b>Approvals</b>	ECE R10
<b>Voltage</b>	10-36v	<b>IP Rating</b>	IP67
<b>LEDs</b>	15 LEDs	<b>Beam Pattern</b>	Flood
<b>Mounting</b>	Bracket	<b>Additional Features</b>	
<b>Dimensions</b>	See above	<b>Box Qty</b>	20
<b>Housing Material</b>	Aluminium	<b>Lens Material</b>	Polycarbonate

## VSWD-WL615

WORKLAMPS

**R10**



Part Number	Description
VSWD-WL615-F	75w Square Lamp - Flood Beam

<b>Lumens</b>	5625LM	<b>Approvals</b>	ECE R10 UKCA
<b>Voltage</b>	10-36v	<b>IP Rating</b>	IP67
<b>LEDs</b>	25 LEDs	<b>Beam Pattern</b>	Flood
<b>Mounting</b>	Bolt & Bracket	<b>Additional Features</b>	
<b>Dimensions</b>	108 x 108 x 55mm	<b>Box Qty</b>	30
<b>Housing Material</b>	Aluminium	<b>Lens Material</b>	Polycarbonate

## VSWD-WL616-F

WORKLAMPS

**R10**



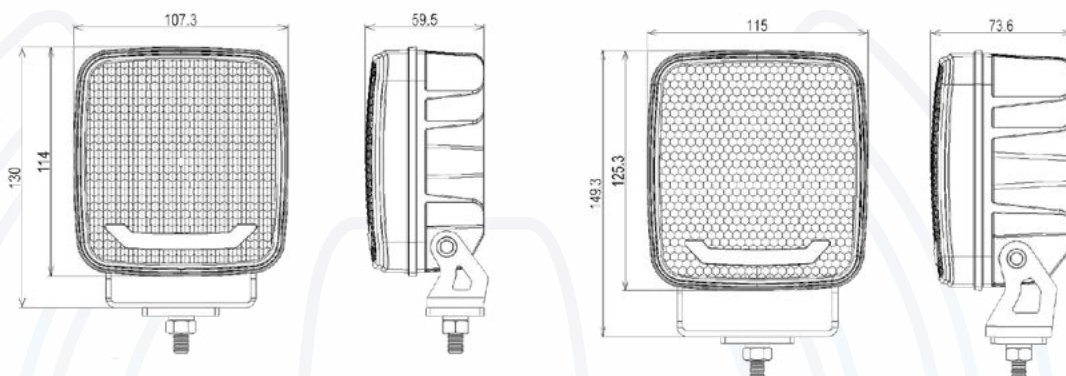
Part Number	Description
VSWD-WL616-F	Dual Position Lamp 6000 LM with Position 10-48v

<b>Lumens</b>	6000LM	<b>Approvals</b>	ECE R10/R148/R149
<b>Voltage</b>	10-48v	<b>IP Rating</b>	IP67
<b>LEDs</b>	6 LEDs	<b>Beam Pattern</b>	Drive Light
<b>Mounting</b>	Bolt & Bracket	<b>Additional Features</b>	Position Light
<b>Dimensions</b>	139mm x 144mm x 67mm	<b>Box Qty</b>	20
<b>Housing Material</b>	Aluminium	<b>Lens Material</b>	Polycarbonate

## VSWD-WL617

WORKLAMPS

**R10**



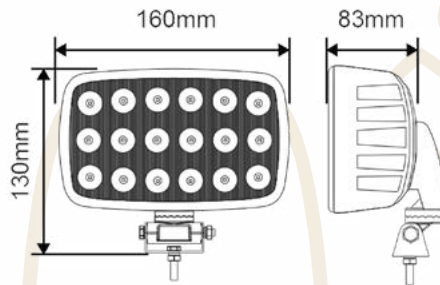
Part Number	Description
VSWD-WL617-45-F	45W Lamp with position light 4000LM
VSWD-WL617-80-F	80W Lamp with position light 7000LM

<b>Lumens</b>	4000 LM / 7000 LM	<b>Approvals</b>	ECE R10, R148
<b>Voltage</b>	9-36v	<b>IP Rating</b>	IP69K
<b>LEDs</b>	9 LEDs / 16 LEDs	<b>Beam Pattern</b>	Flood
<b>Mounting</b>	Bracket Mount	<b>Additional Features</b>	Position Light
<b>Dimensions</b>	See above	<b>Box Qty</b>	20
<b>Housing Material</b>	Aluminium	<b>Lens Material</b>	Polycarbonate

## VSWD-WL618

WORKLAMPS

**R10**



Part Number	Description
VSWD-WL618-F-DP	90W DUAL POS LAMP FLOOD BEAM 6000LM 10-32V IP67 R10

<b>Lumens</b>	6000LM	<b>Approvals</b>	ECE R10
<b>Voltage</b>	10-32v	<b>IP Rating</b>	IP67
<b>LEDs</b>	18 x 5w	<b>Beam Pattern</b>	Flood
<b>Mounting</b>	Bracket Mount	<b>Additional Features</b>	Dual position
<b>Dimensions</b>	See above	<b>Box Qty</b>	20
<b>Housing Material</b>	Aluminium	<b>Lens Material</b>	Polycarbonate

## VSWD-WL619

WORKLAMPS

**R10**



Part Number	Description
VSWD-WL619-F	40W Mini SQU Lamp with flood beam

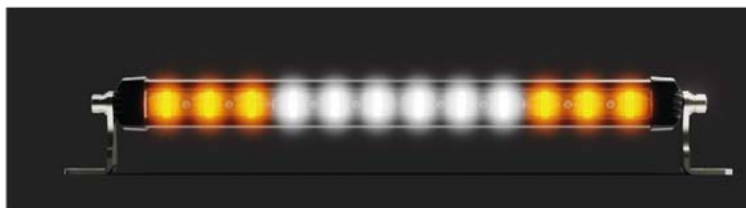
<b>Lumens</b>	2160 LM	<b>Approvals</b>	ECE R10
<b>Voltage</b>	10-80v	<b>IP Rating</b>	IP67
<b>LEDs</b>	4 LEDS	<b>Beam Pattern</b>	Flood
<b>Mounting</b>	Bolt & Bracket Mount	<b>Additional Features</b>	
<b>Dimensions</b>	76mm x 95mm x 68mm	<b>Box Qty</b>	20
<b>Housing Material</b>	Aluminium	<b>Lens Material</b>	Polycarbonate

## VSWD-WL620

WORKLAMPS

**R10**

**R65**



Part Number	Description
VSWD-WL620-A-60	Utility Bar, 10-30v, 48W, white light amber flash
VSWD-WL620-A-90	Utility Bar, 10-30v, 78W, white light amber flash
VSWD-WL620-A-150	Utility Bar, 10-30v, 126W, white light amber flash

<b>Lumens</b>	800 / 1800 / 2500	<b>Approvals</b>	ECE R10 ECE R68
<b>Voltage</b>	10-30v	<b>IP Rating</b>	IP67
<b>LEDs</b>	12 / 18 / 30 LEDs	<b>Beam Pattern</b>	Flood
<b>Mounting</b>	Bracket	<b>Additional Features</b>	White light with amber flash. 19 flash patterns
<b>Dimensions</b>	361 x 50 x 56mm 510 x 50 x 56mm 804 x 50 x 56mm	<b>Box Qty</b>	15 / 12 / 9
<b>Housing Material</b>	Aluminium	<b>Lens Material</b>	Polycarbonate

## VSWD-WL626

WORKLAMPS

### 3 Modes:

- 100% Intensity - White
- 50% Intensity - White
- SOS Flash
- Quad Flash



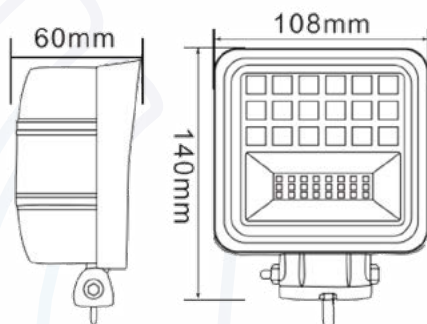
Part Number	Description
VSWD-WL626-S	Utility Lamp, 9 LED Rechargeable, 4 Modes

<b>Lumens</b>	305	<b>Approvals</b>	CE, UKCA
<b>Voltage</b>	10-30v	<b>IP Rating</b>	IP65
<b>LEDs</b>	9 LEDs	<b>Beam Pattern</b>	Flood
<b>Mounting</b>	Magnetic	<b>Additional Features</b>	4 Modes, Handle, Mag Base, Rechargeable Battery, Reverse Charge Function
<b>Dimensions</b>	See above	<b>Box Qty</b>	20
<b>Housing Material</b>	Aluminium	<b>Lens Material</b>	Polycarbonate

## VSWD-WL634

WORKLAMPS

**R10**



Part Number	Description
VSWD-WL634-C	48w Square Lamp Combi Beam

Lumens	3500	Approvals	ECE R10
Voltage	10-30v	IP Rating	IP67
LEDs	42 LEDs	Beam Pattern	Combi
Mounting	Bracket	Additional Features	
Dimensions	See above	Box Qty	20
Housing Material	Aluminium	Lens Material	Polycarbonate

## VSWD-WL635

WORKLAMPS

**R10**



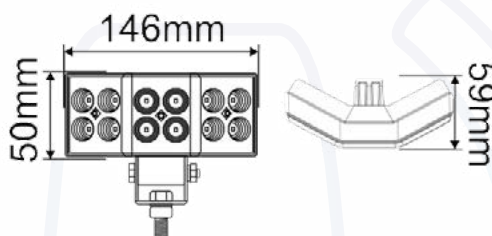
Part Number	Description
VSWD-WL635-WA	54w Angle Lamp Flood Beam

Lumens	4000	Approvals	ECE R10
Voltage	10-36v	IP Rating	IP67
LEDs	18 LEDs	Beam Pattern	Flood
Mounting	Bracket	Additional Features	240° Wide Angle
Dimensions	See above	Box Qty	20
Housing Material	Aluminium	Lens Material	Polycarbonate

## VSWD-WL636

WORKLAMPS

**R10**

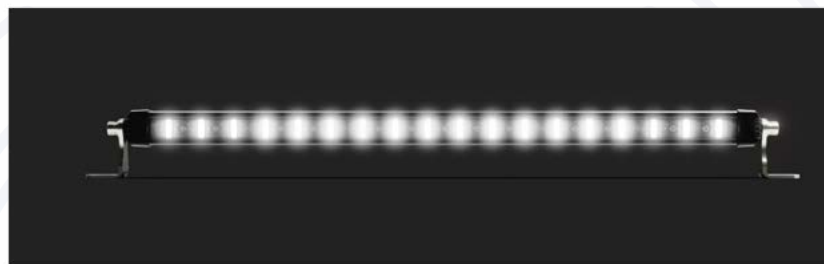


Part Number		Description	
VSWD-WL636-MWA		36W Mini wide angle lamp - flood beam 10-80V IP67 12 LEDS R10	
Lumens	2800LM	Approvals	ECE R10
Voltage	10-80v	IP Rating	IP67
LEDs	12 LEDs	Beam Pattern	Flood
Mounting	Bolt & Bracket	Additional Features	
Dimensions	146mm x 50mm x 59mm	Box Qty	20
Housing Material	Aluminium	Lens Material	Polycarbonate

## VSWD-WL621W

BAR LIGHT

**R10**



Part Number	Description
VSWD-WL621W	White bar light 90w Combi Beam

<b>Lumens</b>	3000LM	<b>Approvals</b>	ECE R10 UKCA
<b>Voltage</b>	10-30v	<b>IP Rating</b>	IP67
<b>LEDs</b>	18 LEDs	<b>Beam Pattern</b>	Combi
<b>Mounting</b>	Bracket Mount	<b>Additional Features</b>	
<b>Dimensions</b>	510 x 50 x 56mm	<b>Box Qty</b>	20
<b>Housing Material</b>	Aluminium	<b>Lens Material</b>	Polycarbonate

## VSWD-WL6100 SERIES

WORKLAMPS

**R10**



Part Number	Description
VSWD-WL6100-F-36W	36W 12LED 2600LM SQU 9-32V IP68
VSWD-WL6100-F-48W	48W 16LED 3500LM SQU 9-32V IP68
VSWD-WL6100-F-75W	75W 25LED 5500LM SQU 9-32V IP68
VSWD-WL6100-R23-18W	R23 18W 12LED 1620LM SQU 9-32V IP68

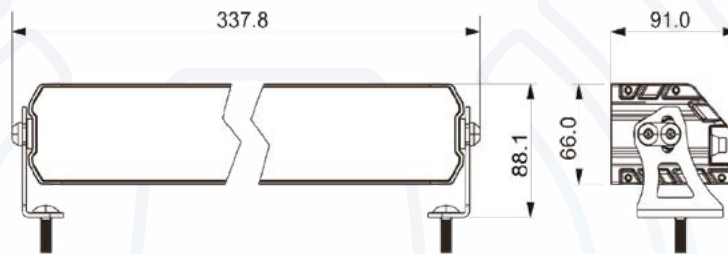
<b>Lumens</b>	See above	<b>Approvals</b>	ECE R10, R23 (1)
<b>Voltage</b>	9-32v	<b>IP Rating</b>	IP69K
<b>LEDs</b>	See above	<b>Beam Pattern</b>	Flood
<b>Mounting</b>	Bracket Mount	<b>Additional Features</b>	Internal temp control (3)
<b>Dimensions</b>	See above	<b>Box Qty</b>	40 / 20
<b>Housing Material</b>	Aluminium	<b>Lens Material</b>	Polycarbonate

## VSWD-DL4800

DRIVE LIGHT

**R10**

**R65**



Part Number		Description	
VSWD-DL4800-10		Drive Light 338mm +WL/PL R10/R65/R112/R7	
<b>Function</b>	Drive Light, Warning Light, Position Light	<b>Approvals</b>	ECE R10, R65, R148, R149
<b>Voltage</b>	10-30v	<b>IP Rating</b>	IP67 / IP69k
<b>Mounting</b>	Bracket Mount	<b>Colour Temp</b>	6000-6500k
<b>Dimensions</b>	338 x 88 x 91mm	<b>Box Qty</b>	9
<b>Housing Material</b>	Aluminium	<b>Lens Material</b>	Polycarbonate

## VSWD-FLT620

WORKLAMPS

**R10**



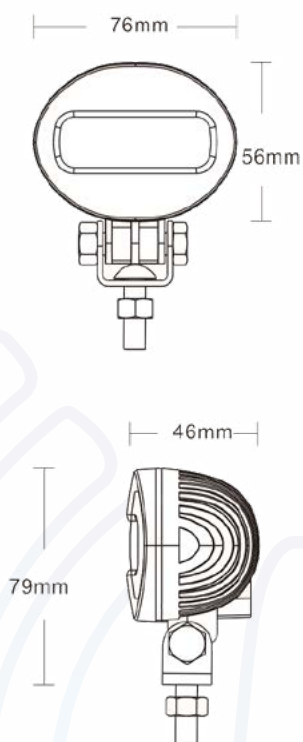
Part Number	Description
VSWD-FLT620-B	FLT Arrow Lamp Blue R10 9-80v
VSWD-FLT620-R	FLT Arrow Lamp Red R10 9-80v

<b>Lumens</b>	250	<b>Approvals</b>	ECE R10 UKCA
<b>Voltage</b>	10-80v	<b>IP Rating</b>	IP67
<b>LEDs</b>	3 LEDs	<b>Beam Pattern</b>	Arrow Safety Light
<b>Mounting</b>	Bracket	<b>Additional Features</b>	
<b>Dimensions</b>	See above	<b>Box Qty</b>	30
<b>Housing Material</b>	Aluminium	<b>Lens Material</b>	Polycarbonate

## VSWD-FLT621

WORKLAMPS

**R10**



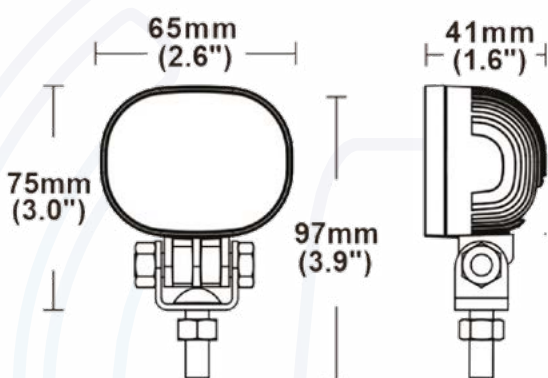
Part Number	Description
VSWD-FLT621-B	FLT Safety Line Lamp Blue R10 9-80v
VSWD-FLT621-R	FLT Safety Line Lamp Red R10 9-80v

<b>Lumens</b>	200	<b>Approvals</b>	ECE R10 UKCA
<b>Voltage</b>	10-80v	<b>IP Rating</b>	IP67
<b>LEDs</b>	2 LEDs	<b>Beam Pattern</b>	Safety Line Light
<b>Mounting</b>	Bracket	<b>Additional Features</b>	
<b>Dimensions</b>	See above	<b>Box Qty</b>	30
<b>Housing Material</b>	Aluminium	<b>Lens Material</b>	Polycarbonate

## VSWD-FLT622

WORKLAMPS

**R10**



Part Number	Description
VSWD-FLT622-B	FLT Arc Light Red R10 9-80v
VSWD-FLT622-R	FLT Arc Light Blue R10 9-80v

<b>Lumens</b>	47 LM	<b>Approvals</b>	ECE R10 UKCA
<b>Voltage</b>	9-80v	<b>IP Rating</b>	IP67
<b>LEDs</b>	1 LED	<b>Beam Pattern</b>	Arc Safety Line
<b>Mounting</b>	Bracket	<b>Additional Features</b>	
<b>Dimensions</b>	See above	<b>Box Qty</b>	30
<b>Housing Material</b>	Aluminium	<b>Lens Material</b>	Polycarbonate

## VSWD-FLT630

WORKLAMPS

**R10**



Part Number	Description
VSWD-FLT630-RB	FLT Safety Line Lamp Red/Blue R10 10-80v 6*3W LEDs

<b>Lumens</b>	420	<b>Approvals</b>	ECE R10
<b>Voltage</b>	10-80v	<b>IP Rating</b>	IP67
<b>LEDs</b>	6 x 3w	<b>Beam Pattern</b>	Safety Line Light
<b>Mounting</b>	Bracket	<b>Additional Features</b>	Dual Colour: red/blue
<b>Dimensions</b>	See above	<b>Box Qty</b>	20
<b>Housing Material</b>	Aluminium	<b>Lens Material</b>	Polycarbonate

## VSWD-INT130

INTERIOR LIGHT

**R10**



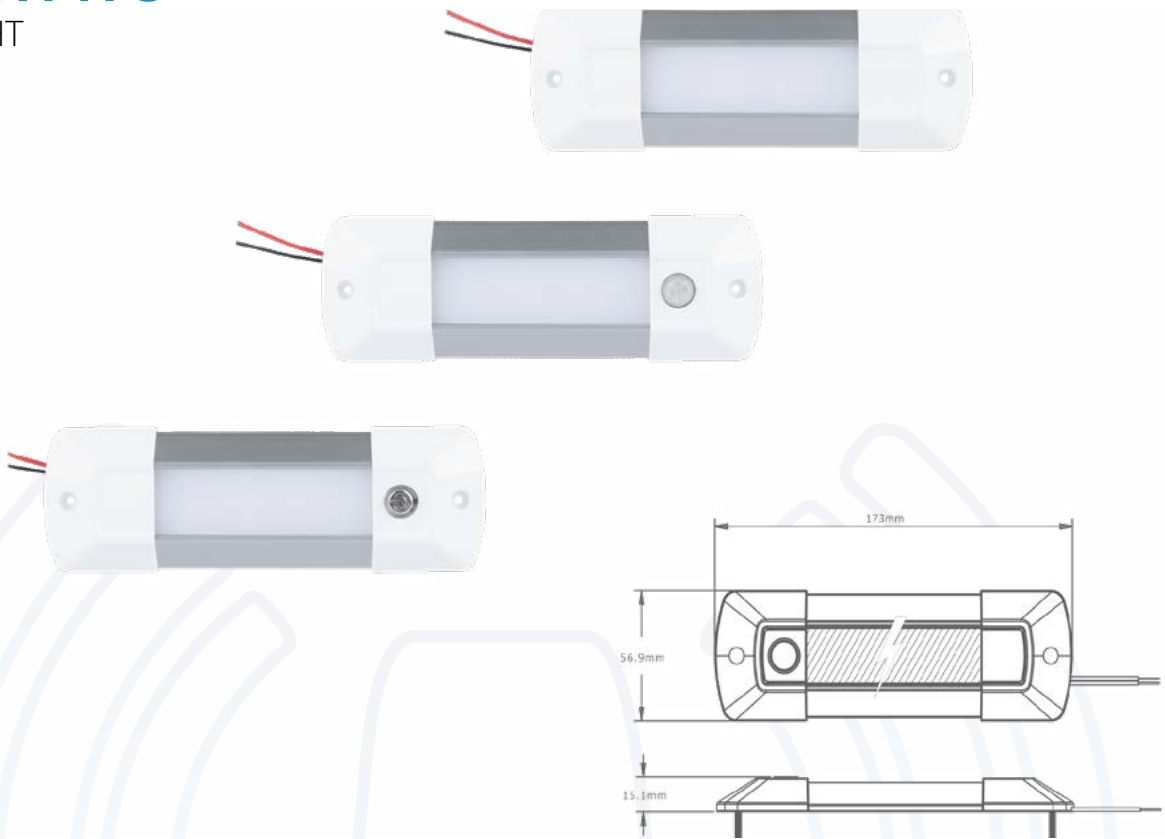
Part Number	Description
VSWD-INT130	Interior Light Round White 85 LED
VSWD-INT130-03	Interior Light Round White 85 LED PIR

<b>Lumens</b>	1200	<b>Approvals</b>	ECE R10
<b>Voltage</b>	10-30v	<b>IP Rating</b>	IP65
<b>LEDs</b>	85 LEDs	<b>Colour Temp</b>	5700K - 6500K
<b>Mounting</b>	Surface	<b>Additional Features</b>	Wires only, Touch Switch, PIR
<b>Dimensions</b>	See above	<b>Box Qty</b>	80
<b>Housing Material</b>	Aluminium	<b>Lens Material</b>	Polycarbonate

## VSWD-INT173

INTERIOR LIGHT

**R10**



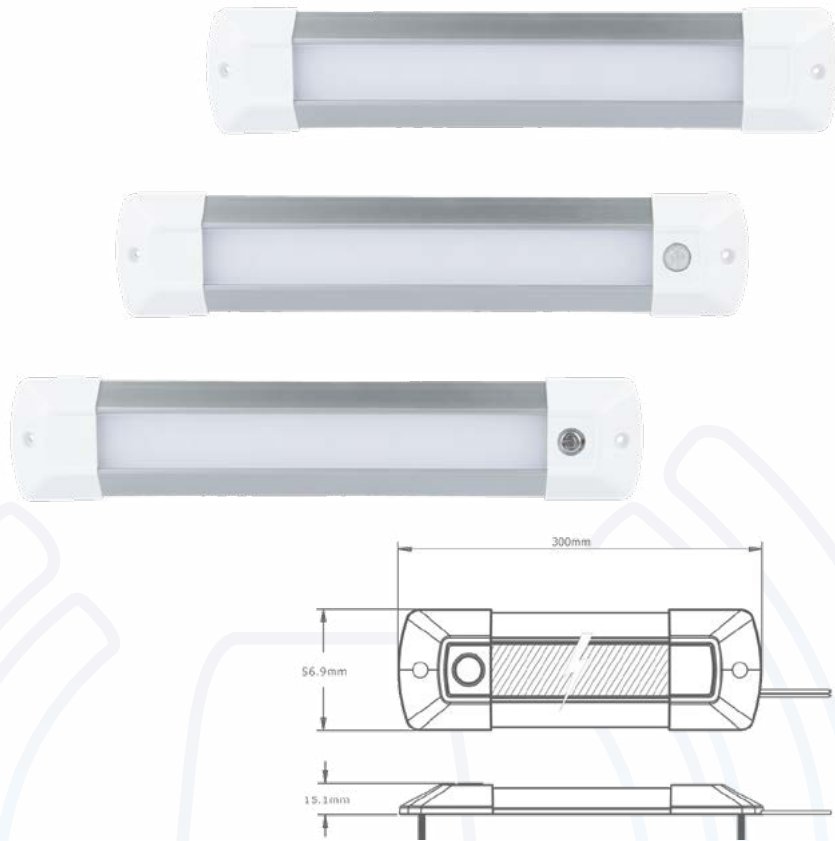
Part Number	Description
VSWD-INT173	Interior Light 173mm 22 LED
VSWD-INT173-02	Interior Light 173mm 22 LED with Switch
VSWD-INT173-03	Interior Light 173mm 22 LED with PIR

<b>Lumens</b>	308	<b>Approvals</b>	ECE R10
<b>Voltage</b>	10-30v	<b>IP Rating</b>	IP67
<b>LEDs</b>	22 LEDs	<b>Colour Temp</b>	5700K - 6500K
<b>Mounting</b>	Surface	<b>Additional Features</b>	Wires Only, Touch Switch with Dimming Function, PIR
<b>Dimensions</b>	173 x 57 x 15mm	<b>Box Qty</b>	40
<b>Housing Material</b>	Aluminium	<b>Lens Material</b>	Polycarbonate

## VSWD-INT300

INTERIOR LIGHT

**R10**



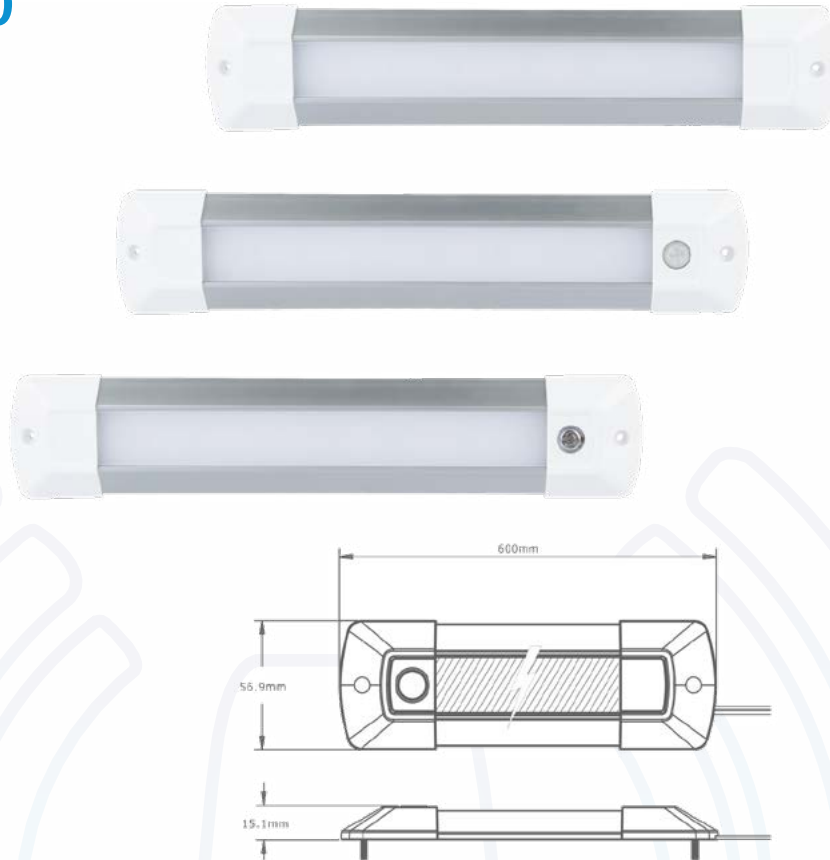
Part Number	Description
VSWD-INT300	Interior Light 300mm 54 LED
VSWD-INT300-02	Interior Light 300mm 54 LED with Switch
VSWD-INT300-03	Interior Light 300mm 54 LED with PIR

<b>Lumens</b>	756	<b>Approvals</b>	ECE R10
<b>Voltage</b>	10-30v	<b>IP Rating</b>	IP67
<b>LEDs</b>	54 LEDs	<b>Colour Temp</b>	5700K - 6500K
<b>Mounting</b>	Surface	<b>Additional Features</b>	Wires Only, Touch Switch with Dimming Function, PIR
<b>Dimensions</b>	300 x 57 x 15mm	<b>Box Qty</b>	40
<b>Housing Material</b>	Aluminium	<b>Lens Material</b>	Polycarbonate

## VSWD-INT600

INTERIOR LIGHT

**R10**



Part Number	Description
VSWD-INT600	Interior Light 600mm 130 LED
VSWD-INT600-02	Interior Light 600mm 130 LED with Switch
VSWD-INT600-03	Interior Light 600mm 130 LED with PIR

<b>Lumens</b>	1820	<b>Approvals</b>	ECE R10
<b>Voltage</b>	10-30v	<b>IP Rating</b>	IP67
<b>LEDs</b>	130 LEDs	<b>Colour Temp</b>	5700K - 6500K
<b>Mounting</b>	Surface	<b>Additional Features</b>	Wires Only, Touch Switch with Dimming Function, PIR
<b>Dimensions</b>	600 x 57 x 15mm	<b>Box Qty</b>	20
<b>Housing Material</b>	Aluminium	<b>Lens Material</b>	Polycarbonate

## VSWD-INT310/ 510 / 1000

INTERIOR LIGHT



Part Number	Description
VSWD-INT310-DV	Interior Light 300mm 18 LEDs
VSWD-INT510-DV	Interior Light 522mm 30 LEDs
VSWD-INT1000-DV	Interior Light 1000mm 60 LEDs

<b>Lumens</b>	360 / 600 / 1000	<b>Approvals</b>	
<b>Voltage</b>	10-30v	<b>IP Rating</b>	IP67
<b>LEDs</b>	18 / 30 / 60 LEDs	<b>Colour Temp</b>	6000K
<b>Mounting</b>	Surface	<b>Additional Features</b>	
<b>Dimensions</b>	330mm / 520mm / 1030mm	<b>Box Qty</b>	100 / 250
<b>Housing Material</b>	Aluminium	<b>Lens Material</b>	Silicone Seal

## VSWD-PIR Series

INTERIOR LIGHT



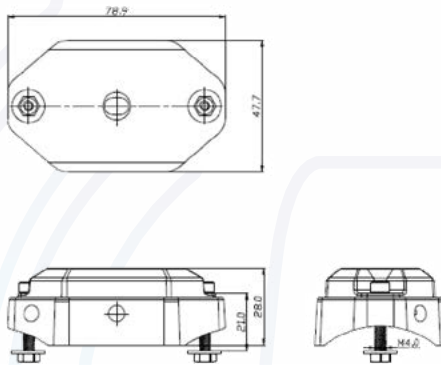
Part Number	Description
VSWD-PIR300-12V	PIR INT LIGHT 300MM 400LM 6000K 12V
VSWD-PIR500-12V	PIR INT LIGHT 500MM 800LM 6000K 12V
VSWD-PIR1000-12V	PIR INT LIGHT 1000MM 1600LM 6000K 12V
VSWD-PIR1000-24V	PIR INT LIGHT 1000MM 1600LM 6000K 24V

<b>Lumens</b>	400/800/1600 LM	<b>Approvals</b>	
<b>Voltage</b>	12v or 24v	<b>IP Rating</b>	IP65
<b>LEDs</b>	30/54/114 LEDs	<b>Colour Temp</b>	6000K
<b>Mounting</b>	2 x Mounting Clip	<b>Additional Features</b>	
<b>Dimensions</b>	300/500/1000 mm	<b>Box Qty</b>	NA
<b>Housing Material</b>	Aluminium	<b>Lens Material</b>	Frosted Diffuser

## VSWD-ML01

INTERIOR LIGHT

**R10**



Part Number	Description
VSWD-ML01	Micro Light 3 * 3W LEDs 10-30v

<b>Lumens</b>	648	<b>Approvals</b>	ECE R10
<b>Voltage</b>	10-36v	<b>IP Rating</b>	IP67
<b>LEDs</b>	3 LEDs	<b>Beam Pattern</b>	Flood
<b>Mounting</b>	Surface	<b>Additional Features</b>	
<b>Dimensions</b>	79 x 70 x 41mm	<b>Box Qty</b>	60
<b>Housing Material</b>	Aluminium	<b>Lens Material</b>	Polycarbonate

## VSWD-790


CV LIGHTING

**R10**

**R65**



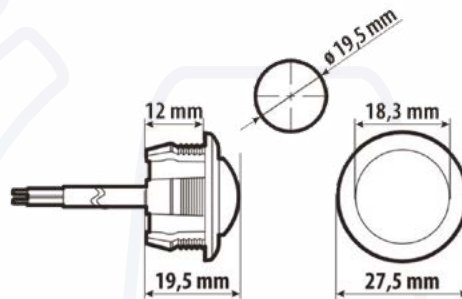
Part Number	Description
VSWD-791-A	790 Series 560mm All Amber 120 LED
VSWD-792-A	790 Series 880mm All Amber 180 LED
VSWD-793-A	790 Series 1200mm All Amber 240 LED
VSWD-793-A-STT	790 Series 1200MM STT Bar 308 LED R148
VSWD-795-A	790 Series 1520mm All Amber 300 LED
VSWD-795-A-STT	790 Series 1520mm STT Bar 368 LED R148
VSWD-796-A	790 Series 1840mm All Amber 360 LED
VSWD-797-A	790 Series 2160mm All Amber 420 LED

<b>Flash Patterns</b>	26/28 Patterns	<b>Approvals</b>	ECE R10 (All), ECE R65 TA2 (Amber), TB2 (Blue)
<b>Voltage</b>	10-30v	<b>IP Rating</b>	IP66
<b>LEDs</b>	See above	<b>Colours</b>	
<b>Mounting</b>	Brackets	<b>Additional Features</b>	Blue/Dual Colour/STT available on request
<b>Dimensions</b>	Above x 200 x 44mm	<b>Box Qty</b>	1-2
<b>Housing Material</b>	Aluminium	<b>Lens Material</b>	Polycarbonate

## VSWD-802

CV LIGHTING

**R10**



Part Number	Description
VSWD-802-A	10-30v amber marker, ECE R10, ECE R148
VSWD-802-W	10-30v white marker, ECE R10, ECE R148
VSWD-802-R	10-30v red marker, ECE R10, ECE R148

<b>Function</b>	Marker Light	<b>Approvals</b>	ECE R10, R148
<b>Voltage</b>	12-24v	<b>IP Rating</b>	IP67
<b>Mounting</b>	Flush Mount	<b>LEDs</b>	1 LEDs
<b>Dimensions</b>	See above	<b>Box Qty</b>	20
<b>Housing Material</b>	ABS & Rubber	<b>Lens Material</b>	Polycarbonate

## VSWD-810

CV LIGHTING

**R10**

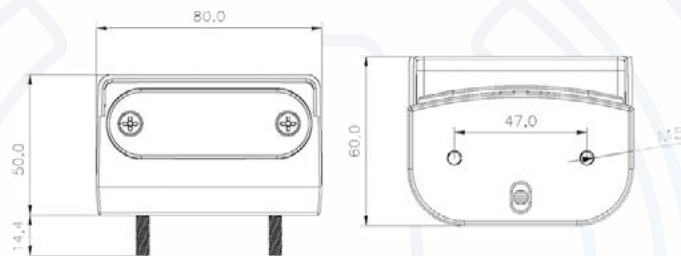


Part Number		Description	
VSWD-810		LED Number Plate lamp 10-30v ECE R10 / R4 IP65	
Function	Number Plate Lamp	Approvals	ECE R10, R4
Voltage	12-24v	IP Rating	IP65
Mounting	Bolt Mount	LEDs	12 x 2W LEDs
Dimensions	100 x 49 x 33mm	Box Qty	50
Housing Material	Polycarbonate	Lens Material	Polycarbonate

## VSWD-810-AMP

CV LIGHTING

**R10**

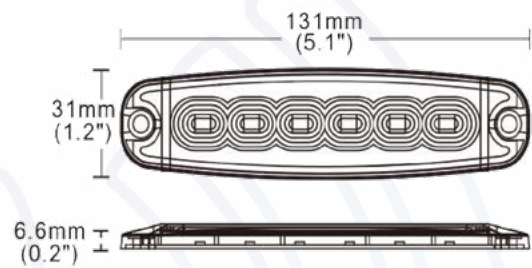


Part Number		Description	
VSWD-810-AMP		Number plate lamp with AMP superseal 10-30v	
LEDs	4 LEDs	Approvals	ECE R10, R148
Voltage	10-30v	IP Rating	IP67
Mounting	Bolt & Bracket	Additional Feature	AMP Superseal
Dimensions	80 x 50 x 60mm	Box Qty	100
Housing Material	Aluminium	Lens Material	Polycarbonate

## VSWD-820

REAR LIGHTING

**R10**



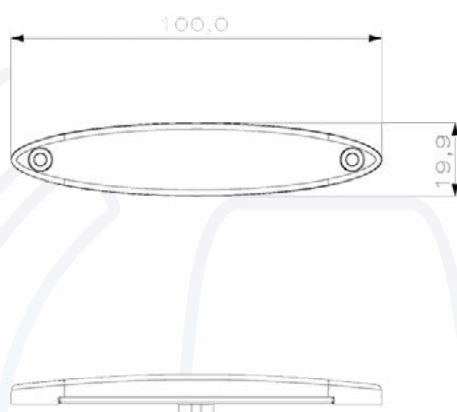
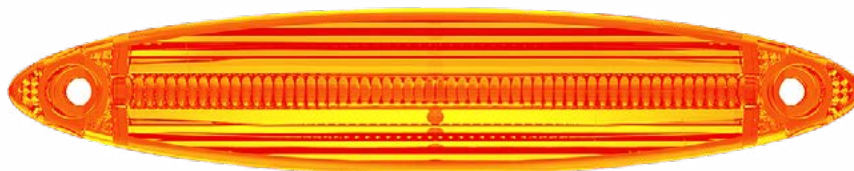
Part Number	Description
VSWD-820	Red/Amber compact S/T/I rear light5 Function Tail Light with progressive indicator

Light Info	Static light for Stop, Tail, Indicator	Approvals	ECE R10 R148 UKCA
Voltage	10-30v	IP Rating	IP67
LEDs	6 LEDs	Colours	
Mounting	Screws or 3M Adhesive, surface mount	Additional Features	
Dimensions	See Above	Box Qty	50
Housing Material	Polycarbonate	Lens Material	Polycarbonate

## VSWD-844-A

REAR LIGHTING

**R10**



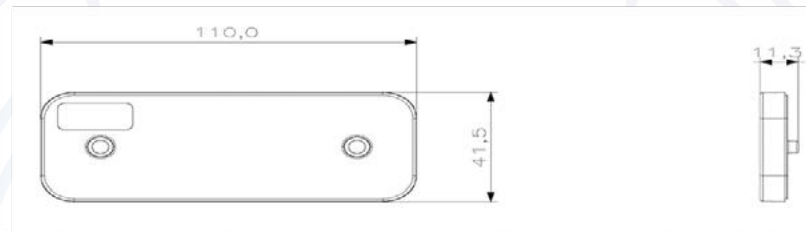
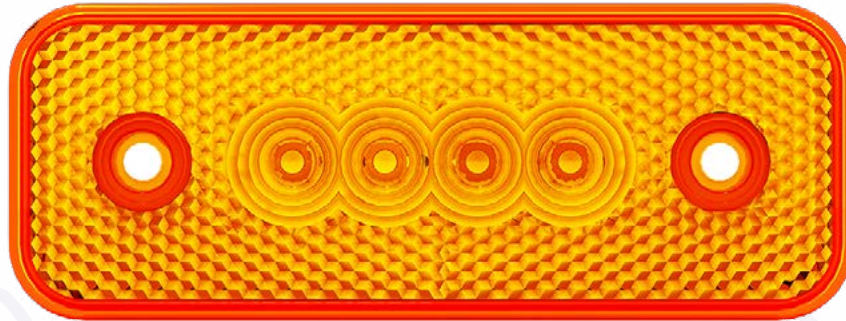
Part Number	Description
VSWD-844-A	Slim Amber Marker Light 24v

<b>Light Info</b>		<b>Approvals</b>	ECE R10 R148
<b>Voltage</b>	24v	<b>IP Rating</b>	IP67
<b>LEDs</b>	6 LEDs	<b>Colours</b>	
<b>Mounting</b>	Screws	<b>Additional Features</b>	With Reflex
<b>Dimensions</b>	100mm x 12mm	<b>Box Qty</b>	500
<b>Housing Material</b>	Polycarbonate	<b>Lens Material</b>	Polycarbonate

## VSWD-845-A

REAR LIGHTING

**R10**



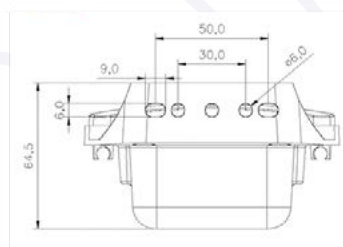
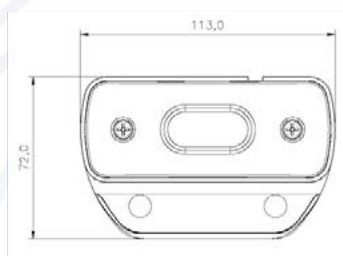
Part Number	Description
VSWD-845-A	Amber Marker Light with Mount 10-30v

<b>Light Info</b>		<b>Approvals</b>	ECE R10 R148
<b>Voltage</b>	10-30v	<b>IP Rating</b>	IP67
<b>LEDs</b>	4 LEDs	<b>Colours</b>	
<b>Mounting</b>	Screws	<b>Additional Features</b>	With Reflex
<b>Dimensions</b>	110mm x 42mm x 11mm	<b>Box Qty</b>	300
<b>Housing Material</b>	Polycarbonate	<b>Lens Material</b>	Polycarbonate

## VSWD-846-A-AMP

CV LIGHTING

**R10**



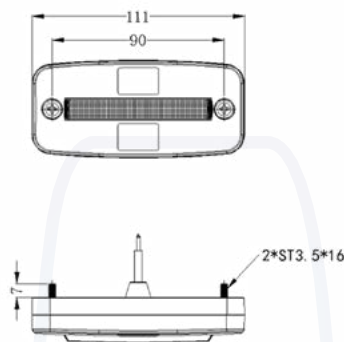
Part Number	Description
VSWD-846-A-AMP	Amber marker light with mount and AMP superseal 10-30v


<b>Voltage</b>	10-30v	<b>Approvals</b>	ECE R10, R148
<b>LEDs</b>	6 LEDs	<b>IP Rating</b>	IP67
<b>Mounting</b>	Bolt & Bracket	<b>Additional Features</b>	With Reflex and AMP Superseal
<b>Dimensions</b>	113mm x 72mm x 65mm	<b>Box Qty</b>	100
<b>Housing Material</b>	Polycarbonate	<b>Lens Material</b>	Polycarbonate
		<b>Colour</b>	

## VSWD-847

CV LIGHTING

**R10**



Part Number		Description	
VSWD-847-ADI-AMP		Amber marker with indicator, AMP & Bracket	
Function	Side Marker with reflector & indicator	Approvals	ECE R10, R148, R150
Voltage	12-24v	IP Rating	IP67
Mounting	Bracket Mount	LEDs	6 LEDs
Dimensions	111 x 51 x 24mm	Box Qty	50
Housing Material	Polycarbonate	Lens Material	Polycarbonate
Additional Features	AMP Connector, Indicator	Colour	

## VSWD-848

CV LIGHTING

**R10**

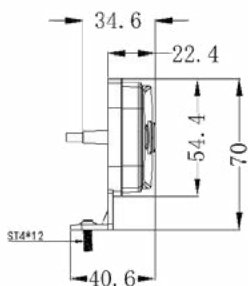
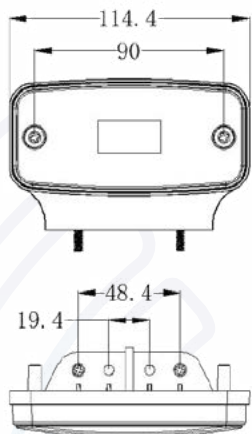


Part Number		Description	
VSWD-848-A-AMP		Oval Amber Marker with amp 12-24V R10/R3/R91	
Function	Side Marker & reflector	Approvals	ECE R10, R3, R91
Voltage	12-24v	IP Rating	IP65
Mounting	Bracket Mount	LEDs	3 x 1WLEDs
Dimensions	100 x 15 x 45mm	Box Qty	50
Housing Material	ABS	Lens Material	PMMA

## VSWD-849

CV LIGHTING

**R10**



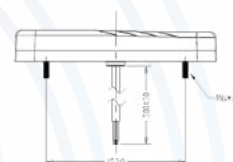
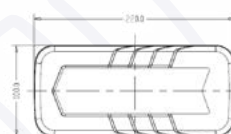
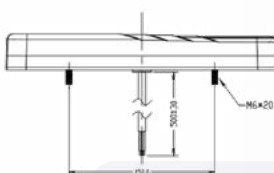
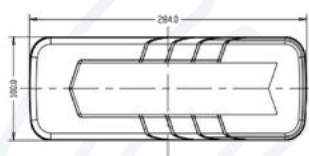
Part Number	Description
VSWD-849-Colour	A = Amber R = Red W = White

Function	Side Marker Lights with Reflex Reflector	Approvals	ECE R10 R148
Voltage	12-24v	IP Rating	IP67
LEDs	6 LEDs	Box Qty	50
Mounting	Bracket	Additional Features	
Dimensions	115 x 70 x 41mm		
Housing Material	Zinc	Lens Material	Polycarbonate

## VSWD-850 Series

CV LIGHTING

**R10**



Part Number	Description
VSWD-852	222mm 5 Function Tail Light with progressive indicator
VSWD-853	284mm 5 Function Tail Light with progressive indicator

<b>Function</b>	Stop, Tail, Turn, Reverse, Fog	<b>Approvals</b>	ECE R10 R3, R6, R7, R23, R38
<b>Voltage</b>	12-24v	<b>IP Rating</b>	IP67
<b>Mounting</b>	Surface	<b>Additional Features</b>	Progressive Indicator
<b>Dimensions</b>	See above	<b>Box Qty</b>	30
<b>Housing Material</b>	Polycarbonate	<b>Lens Material</b>	Polycarbonate

## VSWD-871

CV LIGHTING

**R10**



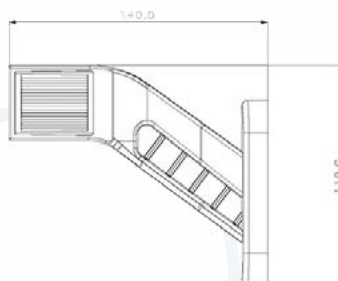
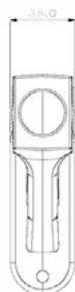
Part Number	Description
VSWD-871	Short Triple Marker Light Pair 10-30v

<b>Voltage</b>	10-30v	<b>Approvals</b>	ECE R10 R148
<b>LEDs</b>	6 LEDs	<b>IP Rating</b>	IP67
<b>Mounting</b>	Screws		
<b>Dimensions</b>	73mm x 100mm x 35mm	<b>Box Qty</b>	80
<b>Housing Material</b>	Polycarbonate	<b>Lens Material</b>	Polycarbonate

## VSWD-872

CV LIGHTING

**R10**



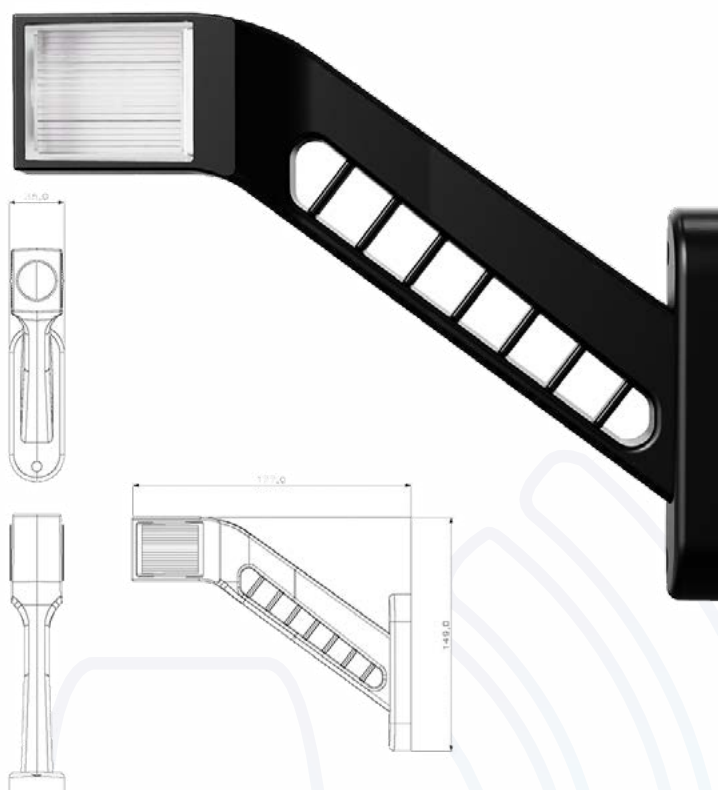
Part Number	Description
VSWD-872	Medium Triple Marker Light Pair 10-30v

<b>Voltage</b>	10-30v	<b>Approvals</b>	ECE R10 R148
<b>LEDs</b>	6 LEDs	<b>IP Rating</b>	IP67
<b>Mounting</b>	Screws		
<b>Dimensions</b>	140mm x 119mm x 35mm	<b>Box Qty</b>	80
<b>Housing Material</b>	Polycarbonate	<b>Lens Material</b>	Polycarbonate

## VSWD-873

CV LIGHTING

**R10**



Part Number	Description
VSWD-873	Long Triple Marker Light Pair 10-30v

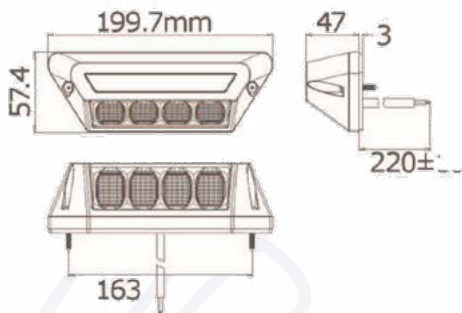
<b>Voltage</b>	10-30v	<b>Approvals</b>	ECE R10 R148
<b>LEDs</b>	6 LEDs	<b>IP Rating</b>	IP67
<b>Mounting</b>	Screws		
<b>Dimensions</b>	177mm x 149mm x 35mm	<b>Box Qty</b>	80
<b>Housing Material</b>	Polycarbonate	<b>Lens Material</b>	Polycarbonate

## VSWD-SL2800

SCENE LIGHTING

**R10**

**R65**



Part Number	Description
VSWD-SL2800	Scene Light 4 LED 28W
VSWD-SL2800W-A	Scene Light with Amber Side Marker
VSWD-SL2800W-R	Scene Light with Red Side Marker
VSWD-SL2800W-W	Scene Light with White Side Marker
VSWD-SL2800W-R65	Scene Light with Amber R65 Warning Light

<b>Lumens</b>	2800 LM	<b>Approvals</b>	ECE R10, R148 R65, UKCA
<b>Voltage</b>	10-30v	<b>IP Rating</b>	IP69k
<b>LEDs</b>	4 LEDs + side marker / warning light	<b>Beam Pattern</b>	Flood
<b>Mounting</b>	Screw fix surface mount	<b>Additional Features</b>	
<b>Dimensions</b>	See above	<b>Box Qty</b>	20
<b>Housing Material</b>	Aluminium	<b>Lens Material</b>	Polycarbonate

## LD675 GRAPHITE

MARKER LIGHT

**R10**



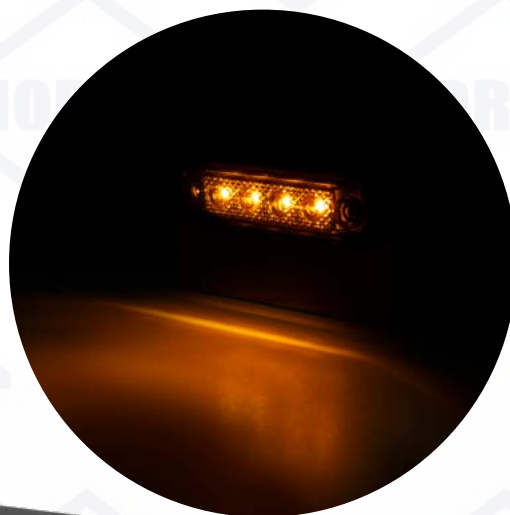
Description	Product Features
<p>The LD 675/GRAPHITE marker light combines elegant design with high functionality. With its dark shade, the light follows modern trends in vehicle design while providing adequate visibility on the road.</p>	<ul style="list-style-type: none"> <li>• <b>Front position light.</b> The lamp emits white light to enhance road safety by making your vehicle better visible in various conditions.</li> <li>• The light can be mounted either <b>on a straight rubber support or on a tube</b>, providing more flexibility to suit the user's needs.</li> <li>• <b>Number of LEDs.</b> Fitted with 4 high-efficiency LEDs, the lamp provides efficient lighting with minimal energy consumption.</li> <li>• <b>Universal supply voltage.</b> Operating at <b>12/24 V</b>, it is perfect for a variety of vehicle types.</li> <li>• <b>Low power rating.</b> With a power output of <b>0.4 W</b> (at 12 V) and <b>0.7 W</b> (at 24 V), the light is energy-efficient, a property that translates into longer life and less strain on the battery.</li> <li>• <b>High IP 68 rating.</b> The light is fully hermetic and resistant to mechanical damage.</li> <li>• <b>Wide operating temperature</b> range from -30°C to +50°C. Suitable for all weather conditions, the product will be a reliable choice all year round.</li> </ul>

Light group	HOR 65G	LED quantity	4
Light category	marker	Supply voltage	12/24V
Light colour	white	Power rating	0.4/0.7 W
Operating temp range	from -30°C to +50°C	Cable	2x0.75mm <sup>2</sup> , cable length 0.25m
Side	universal	Front position light	yes
LED light	yes	Ingress protection rating	IP68

## LD676 GRAPHITE

MARKER LIGHT

**R10**



Description	Product Features
<p>The LD 676/GRAPHITE marker light combines elegant design with high functionality. With its dark shade, the light follows modern trends in vehicle design while providing adequate visibility on the road.</p>	<ul style="list-style-type: none"> <li>• <b>Side marker light.</b> The lamp emits <b>orange</b> light to enhance road safety by making your vehicle better visible in various conditions.</li> <li>• The light can be mounted either on a <b>straight rubber support</b> or on a <b>tube</b>, providing more flexibility to suit the user's needs.</li> <li>• <b>Number of LEDs.</b> Fitted with <b>4</b> high-efficiency <b>LEDs</b>, the lamp provides efficient lighting with minimal energy consumption.</li> <li>• <b>Universal supply voltage.</b> Operating at <b>12/24 V</b>, it is perfect for a variety of vehicle types.</li> <li>• <b>Low power rating.</b> With a power output of 0.6 W (at 12 V) and 1.2 W (at 24 V), the light is energy-efficient, a property that translates into longer life and less strain on the battery.</li> <li>• <b>High IP 68 rating.</b> The light is fully hermetic and resistant to mechanical damage.</li> <li>• <b>Wide operating temperature range from -30°C to +50°C.</b> Suitable for all weather conditions, the product will be a reliable choice all year round.</li> </ul>

Light group	HOR 65G	LED quantity	4
Light category	marker	Supply voltage	12/24V
Light colour	amber	Power rating	0.6/1.2W
Operating temp range	from -30°C to +50°C	Cable	2x0.75mm <sup>2</sup> , cable length 0.25m
Side marker light	yes	Side	universal
LED light	yes	Ingress protection rating	IP68

## LD677 GRAPHITE

MARKER LIGHT

**R10**



Description	Product Features
<p>The LD 677/GRAPHITE marker light combines elegant design with high functionality. With its dark shade, the light follows modern trends in vehicle design while providing adequate visibility on the road.</p>	<ul style="list-style-type: none"> <li>• <b>Rear position light.</b> The lamp emits <b>red</b> light to enhance road safety by making your vehicle better visible in various conditions.</li> <li>• The light can be mounted either on a <b>straight rubber support</b> or on a <b>tube</b>, providing more flexibility to suit the user's needs.</li> <li>• <b>Number of LEDs.</b> Fitted with <b>4</b> high-efficiency <b>LEDs</b>, the lamp provides efficient lighting with minimal energy consumption.</li> <li>• <b>Universal supply voltage.</b> Operating at <b>12/24 V</b>, it is perfect for a variety of vehicle types.</li> <li>• <b>Low power rating.</b> With a power output of 0.6 W (at 12 V) and 1.2 W (at 24 V), the light is energy-efficient, a property that translates into longer life and less strain on the battery.</li> <li>• <b>High IP 68 rating.</b> The light is fully hermetic and resistant to mechanical damage.</li> <li>• <b>Wide operating temperature range from -30°C to +50°C.</b> Suitable for all weather conditions, the product will be a reliable choice all year round.</li> </ul>

Light group	HOR 65G	LED quantity	4
Light category	marker	Rear position light	yes
Supply voltage	12/24V	Power rating	0.6/1.2W
Operating temp range	from -30°C to +50°C	Cable	2x0.75mm <sup>2</sup> , cable length 0.25m
Light colour	red	Side	universal
LED light	yes	Ingress protection rating	IP68

## LD2174 GRAPHITE

STALK MARKER LIGHT

**R10**



Description	Product Features
<p>LD 2174/GRAPHITE is a triple stalk marker light on a diagonal, long arm, designed to be mounted on the right side of a vehicle. Designed for use from small trailers to trucks and semi-trailers.</p> <p>The light from the GRAPHITE collection features a sleek, dark shade, combining modern design with functionality for excellent visibility.</p>	<ul style="list-style-type: none"> <li>• Front position light (white light);</li> <li>• Stalk marker light (orange light);</li> <li>• Rear position light (red light);</li> <li>• Operating at a universal voltage of <b>12/24 V</b>, the light is characterised by low energy consumption. The <b>light with a reflecting device</b> has been manufactured only with <b>branded LEDs</b>, which ensure a unique quality of illumination and add a visual appeal to the contour of a vehicle in motion. The <b>high IP 68</b> rating and the operating temperature range of <b>- 30°C to + 50°C</b> make it a top quality product.</li> </ul>

Light group	HOR 77AG	LED quantity	4
Light category	marker	Supply voltage	12/24V
Front clearance light	yes	Light colour	white/amber/red
Power rating	0.5/1.3W	Rear clearance light	yes
Operating temp range	from -30°C to +50°C	Cable	2x0.75mm <sup>2</sup> , cable length 0.5m
Side marker light	yes	Side	right
Arm	yes	Ingress protection rating	IP68
LED light	yes		

## LD2175 GRAPHITE

STALK MARKER LIGHT

**R10**



Description	Product Features
<p><b>LD 2175/GRAPHITE is a triple stalk marker light on a diagonal, long arm, designed to be mounted on the left side of a vehicle. Designed for use from small trailers to trucks and semi-trailers.</b></p> <p>The light from the GRAPHITE collection features a sleek, dark shade, combining modern design with functionality for excellent visibility.</p>	<ul style="list-style-type: none"> <li>• Front position light (white light);</li> <li>• Stalk marker light (orange light);</li> <li>• Rear position light (red light);</li> <li>• Operating at a universal voltage of <b>12/24 V</b>, the light is characterised by low energy consumption. The <b>light with a reflecting device</b> has been manufactured only with <b>branded LEDs</b>, which ensure a unique quality of illumination and add a visual appeal to the contour of a vehicle in motion. The <b>high IP 68</b> rating and the operating temperature range of <b>-30°C to +50°C</b> make it a top quality product.</li> </ul>

Light group	HOR 77AG	LED quantity	4
Light category	marker	Supply voltage	12/24V
Front clearance light	yes	Light colour	white/amber/red
Operating temp range	from -30°C to +50°C	Cable	2x0.75mm <sup>2</sup> , cable length 0.5m
Side marker light	yes	Side	left
Arm	yes	Ingress protection rating	IP68
LED light	yes	Power rating	0.5/1.3W
Rear clearance light	yes		

## LD2191 GRAPHITE

STALK MARKER LIGHT

**R10**



Description	Product Features
<p>LD 2191/GRAPHITE is a triple stalk marker light on a straight, long arm. The product is universal in terms of mounting options. It can be fitted on either the left or the right side of your vehicle. Designed for use from small trailers to trucks and semi-trailers. The light from the GRAPHITE collection features a sleek, dark shade, combining modern design with functionality for excellent visibility.</p>	<ul style="list-style-type: none"> <li>• Front position light (white light);</li> <li>• Stalk marker light (orange light);</li> <li>• Rear position light (red light);</li> <li>• Operating at a universal voltage of <b>12/24 V</b>, the light is characterised by low energy consumption. The <b>light with a reflecting device</b> has been manufactured only with <b>branded LEDs</b>, which ensure a unique quality of illumination and add a visual appeal to the contour of a vehicle in motion. The <b>high IP 68</b> rating and the operating temperature range of <b>- 30°C to + 50°C</b> make it a top quality product.</li> </ul>

Light group	HOR 77AG	LED quantity	4
Light category	marker	Supply voltage	12/24V
Front clearance light	yes	Light colour	white/amber/red
Operating temp range	from -30°C to +50°C	Cable	2x0.75mm <sup>2</sup> , cable length 0.5m
Side marker light	yes	Side	universal
Arm	yes	Ingress protection rating	IP68
LED light	yes	Power rating	0.5/1.3W
Rear clearance light	yes		

## LD3063

MARKER LIGHT DRAGON

**R10**



Description	Lamp Functions
<p>LD 3063 is a three-function marker lamp on a short diagonal arm, designed to be mounted <b>on the left side of the vehicle</b>. The lamp operates on a universal voltage of <b>12/24 V</b> and is characterized by low power consumption. Only branded diodes are used for production, which definitely distinguish the quality of lighting and attractively emphasize the outline of a moving vehicle. LD 3063 with an interesting design is intended for use in trucks and agricultural machines, trailers and semi-trailers.</p>	<ul style="list-style-type: none"> <li>• Rear position light (red light colour) – 6 diodes</li> <li>• Front position light (white light colour) – 6 diodes</li> <li>• Side marker light (orange light colour) – 4 diodes</li> <li>• Product is fully hermetic (ingress protection rating IP 68), and the operating temperature range is from -30°C to +50°C.</li> </ul>

Light group	HOR 134	LED quantity	16
Light category	marker	Supply voltage	12/24V
Front position light	yes	Rear position light	yes
Operating temp range	from -30°C to +50°C	Cable	2x0.75mm <sup>2</sup> , cable length 0.6m
Side marker light	yes	Side	left
Arm	yes	Ingress protection rating	IP68
LED light	yes	Power rating	1.9W

## LD3064

MARKER LIGHT DRAGON

**R10**



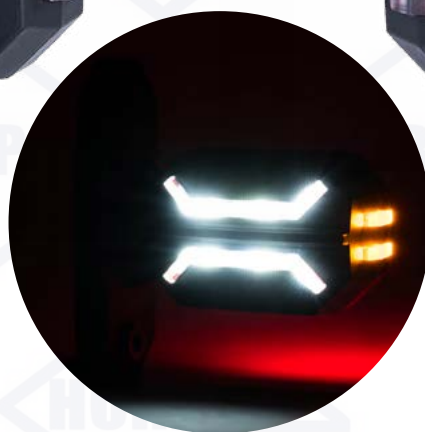
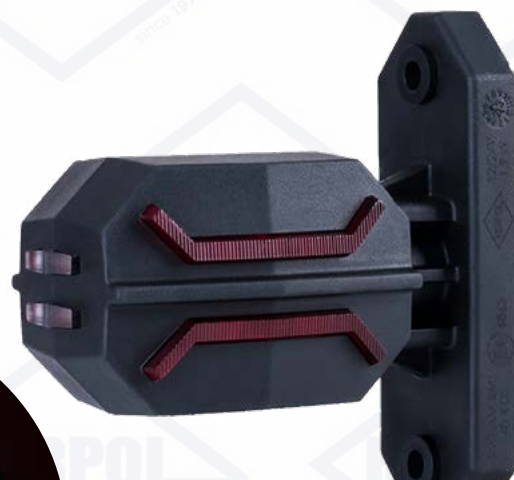
Description	Lamp Functions
<p>LD 3064 is a three-function marker lamp on a short diagonal arm, designed to be mounted <b>on the right side of the vehicle</b>. The lamp operates on a universal voltage of <b>12/24 V</b> and is characterized by low power consumption. Only branded diodes are used for production, which definitely distinguish the quality of lighting and attractively emphasize the outline of a moving vehicle. LD 3064 with an interesting design is intended for use in trucks and agricultural machines, trailers and semi-trailers.</p>	<ul style="list-style-type: none"> <li>• Rear position light (red light colour) – 6 diodes</li> <li>• Front position light (white light colour) – 6 diodes</li> <li>• Side marker light (orange light colour) – 4 diodes</li> <li>• Product is fully hermetic (ingress protection rating IP 68), and the operating temperature range is from -30°C to +50°C.</li> </ul>

Light group	HOR 134	LED quantity	16
Light category	marker	Supply voltage	12/24V
Front position light	yes	Rear position light	yes
Operating temp range	from -30°C to +50°C	Cable	2x0.75mm <sup>2</sup> , cable length 0.6m
Side marker light	yes	Side	right
Arm	yes	Ingress protection rating	IP68
LED light	yes	Power rating	1.9W

## LD3065

MARKER LIGHT DRAGON

**R10**



Description	Lamp Functions
<p>LD 3065 is a three-function marker lamp on a short diagonal arm. The lamp is universal in assembly, it can be installed <b>both on the left and right side</b> of the vehicle. The lamp operates on a universal voltage of <b>12/24 V</b> and is characterized by low power consumption. Only branded diodes are used for production, which definitely distinguish the quality of lighting and attractively emphasize the outline of a moving vehicle. LD 3065 with an interesting design is intended for use in trucks and agricultural machines, trailers and semi-trailers.</p>	<ul style="list-style-type: none"> <li>• Rear position light (red light colour) – 6 diodes</li> <li>• Front position light (white light colour) – 6 diodes</li> <li>• Side marker light (orange light colour) – 4 diodes</li> <li>• Product is fully hermetic (ingress protection rating IP 68), and the operating temperature range is from -30°C to +50°C.</li> </ul>

Light group	HOR 134	LED quantity	16
Light category	marker	Supply voltage	12/24V
Front position light	yes	Rear position light	yes
Operating temp range	from -30°C to +50°C	Cable	2x0.75mm <sup>2</sup> , cable length 0.6m
Side marker light	yes	Side	universal
Arm	yes	Ingress protection rating	IP68
LED light	yes	Power rating	1.9W

## LD2327 MARKER LIGHT

**R10**



Light group	HOR 88	LED quantity	4
Light category	marker	Supply voltage	12/24V
Light colour	white	Power rating	0.3/0.7W
Operating temp range	from -30°C to +50°C	Side	universal
Front position light	yes	LED light	yes
Ingress protection rating	IP68		

## LD2328 MARKER LIGHT

**R10**



Light group	HOR 88	LED quantity	4
Light category	marker	Supply voltage	12/24V
Light colour	amber	Power rating	0.3/0.8W
Operating temp range	from -30°C to +50°C	Side	universal
Side marker light	yes	LED light	yes
Ingress protection rating	IP68		

## LD2329 MARKER LIGHT

**R10**



Light group	HOR 88	LED quantity	4
Light category	marker	Supply voltage	12/24V
Light colour	red	Power rating	0.3/0.8W
Operating temp range	from -30°C to +50°C	Side	universal
Rear position light	yes	LED light	yes
Ingress protection rating	IP68		

## LD3210-GRAPHITE SLIM

MARKER LIGHT

**R10**



Description	Key Product Features
<p>The modern, compact front marker light <b>LD 3210/ GRAPHITE SLIM</b> – perfect solution for commercial, delivery and specialized vehicles. With its slim design and universal mounting method, this lamp is suitable for various configurations.</p>	<ul style="list-style-type: none"> <li>• The lamp from the <b>GRAPHITE</b> collection features an elegant, dark shade, combining modern look with functionality.</li> <li>• <b>LED technology</b> – 4 efficient diodes emit bright, <b>white position light</b>.</li> <li>• Universal voltage of <b>12/24 V</b> ensures compatibility with most vehicles.</li> <li>• Minimal energy consumption – only <b>0,5/1 W of power</b>.</li> <li>• High IP 68 rating – resistant to water, dust and harsh weather conditions.</li> <li>• European approval and <b>EMC certificate</b> – full compliance with safety standards.</li> <li>• <b>Easy installation</b>. Two unique rubber pads allow for perfect mounting of the lamp on both flat surfaces and vehicle bars, while effectively masking the mounting screws.</li> <li>• Thanks to its durable construction and reliable LED technology, the <b>LD 3210/ GRAPHITE</b> lamp provides excellent visibility and long lifespan, meeting the requirements of even the most demanding users.</li> </ul>

Light group	HOR 158G	LED quantity	4
Light category	marker	Supply voltage	12/24V
Light colour	white	Power rating	0.5/1W
Operating temp range	from -30°C to +50°C	Side	universal
Front position light	yes	LED light	yes
Ingress protection rating	IP68	Cable	2x1x0.75 mm <sup>2</sup> , cable length 0.5m

## LD3211-GRAPHITE

MARKER LIGHT

**R10**



Description	Key Product Features
<p>The modern, compact side marker lamp <b>LD 3211/ GRAPHITE SLIM</b> – perfect solution for commercial, delivery and specialized vehicles. With its slim design and universal mounting method, this lamp is suitable for various configurations.</p>	<ul style="list-style-type: none"> <li>• The lamp from the <b>GRAPHITE</b> collection features an elegant, dark shade, combining modern look with functionality.</li> <li>• <b>LED technology</b> – 4 efficient diodes emit bright, <b>orange marker light</b>.</li> <li>• Universal voltage of <b>12/24 V</b> ensures compatibility with most vehicles.</li> <li>• Minimal energy consumption – only <b>0,5/1 W</b> of power.</li> <li>• High <b>IP 68</b> rating – resistant to water, dust and harsh weather conditions.</li> <li>• European approval and <b>EMC certificate</b> – full compliance with safety standards.</li> <li>• <b>Easy installation</b>. Two unique rubber pads allow for perfect mounting of the lamp on both flat surfaces and vehicle bars, while effectively masking the mounting screws.</li> <li>• Thanks to its durable construction and reliable LED technology, the LD 3211/ GRAPHITE lamp provides excellent visibility and long lifespan, meeting the requirements of even the most demanding users.</li> </ul>

Light group	HOR 158G	LED quantity	4
Light category	marker	Supply voltage	12/24V
Light colour	amber	Power rating	0.5/1W
Operating temp range	from -30°C to +50°C	Side	universal
Side position light	yes	LED light	yes
Ingress protection rating	IP68	Cable	2x1x0.75 mm <sup>2</sup> , cable length 0.5m

## LD3212-GRAPHITE SLIM

MARKER LIGHT

**R10**



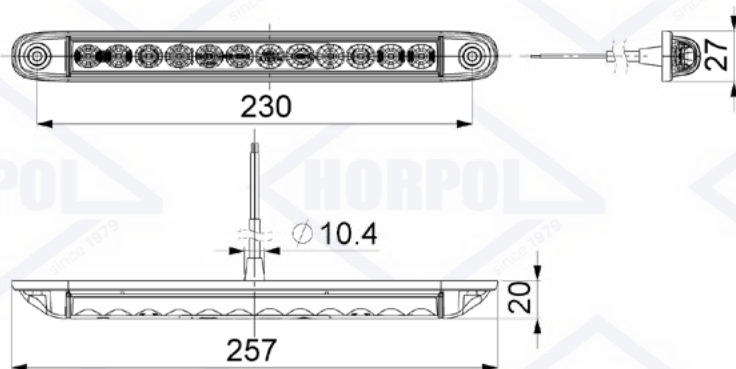
Description	Key Product Features
<p>The modern, compact rear marker lamp <b>LD 3212/ GRAPHITE SLIM</b> – perfect solution for commercial, delivery and specialized vehicles. With its slim design and universal mounting method, this lamp is suitable for various configurations.</p>	<ul style="list-style-type: none"> <li>The lamp from the <b>GRAPHITE</b> collection features an elegant, dark shade, combining modern look with functionality.</li> <li><b>LED technology</b> – 4 efficient diodes emit bright, <b>red position light</b>.</li> <li>Universal voltage of <b>12/24 V</b> ensures compatibility with most vehicles.</li> <li>Minimal energy consumption – only <b>0,7/1,4 W</b> of power.</li> <li>High <b>IP 68</b> rating – resistant to water, dust and harsh weather conditions.</li> <li>European approval and <b>EMC certificate</b> – full compliance with safety standards.</li> <li><b>Easy installation.</b> Two unique rubber pads allow for perfect mounting of the lamp on both flat surfaces and vehicle bars, while effectively masking the mounting screws.</li> <li>Thanks to its durable construction and reliable LED technology, the LD 3212/ GRAPHITE lamp provides excellent visibility and long lifespan, meeting the requirements of even the most demanding users.</li> </ul>

Light group	HOR 158G	LED quantity	4
Light category	marker	Supply voltage	12/24V
Operating temp range	from -30°C to +50°C	Power rating	0.7/1.4W
Rear position light	yes	Side	universal
Ingress protection rating	IP68	LED light	yes
Cable	2x1x0.75 mm <sup>2</sup> , cable length 0.5m		

## LKD 2249/ST

REAR STATIC DIRECTION INDICATOR

**R10**



### Description

#### Reliability, safety, and versatility in one solution.

The LKD 2249/ST model is a high-quality **static LED rear indicator**, designed with maximum functionality and durability in mind. Equipped with **12 efficient LEDs**, the lamp delivers a clear light signal that enhances vehicle visibility and road safety – both day and night, in all weather conditions.

Its **IP 68-rated** housing ensures complete resistance to dust and water, making it ideal for use in harsh environments, including road transport, agriculture, and industry. The lamp operates reliably across a **wide temperature range** and features a universal design that allows for horizontal or vertical mounting on either side of the vehicle.

Thanks to its low rated power consumption (**2,1/2,5 W**), the lamp is highly energy-efficient, helping extend the lifespan of electrical systems. The **12/24 V** power supply makes it compatible with most vehicles available on the market.

### Applications

Perfect for trucks, construction and agricultural machinery, and all utility vehicles requiring durable directional lighting.

Choose quality and safety – equip your vehicle with the LKD 2249/ST!

Light group	HOR 86E	LED quantity	12
Light category	direction indicator	Supply voltage	12/24V
Light colour	amber	Power rating	2.1/2.5 W
Operating temp range	from -30°C to +50°C	Side	universal
Rear direction indicator	yes	LED light	yes
Ingress protection rating	IP68	Cable	2x0.75mm <sup>2</sup> , cable length 1m

## LZKD 3140

REAR MULTIFUNCTION DIRECTION INDICATOR

**R10**



Description	Key Product Features
<p>Compact rear multifunction lamp <b>LIZARD LZD 3140</b>, which combines innovative LED technology with modern design. Thanks to the use of 34 diodes, the lamp provides excellent visibility in all conditions, which makes it an ideal solution for various types of vehicles.</p>	<ul style="list-style-type: none"> <li>• The LZD 3140 multifunction lamp provides three light functions: <b>position, braking and static direction indicator.</b></li> <li>• <b>Universal mounting side.</b> The lamp can be mounted both vertically and horizontally, which allows for easy adjustment to various vehicle designs.</li> <li>• Supply voltage. The lamp operates in the voltage range of <b>12/24 V.</b></li> <li>• Wide operating temperature range from <b>-30°C to +50°C.</b> The lamp is resistant to various weather conditions, which ensures its reliability in extreme temperatures.</li> <li>• <b>High resistance.</b> The lamp is fully hermetic (compliance with the degree of protection against moisture IP 68), resistant to high and low temperatures and mechanical damage.</li> <li>• The operation of the lamp is also guaranteed in a way that does not emit electromagnetic interference and is electromagnetic interference-resistant, which is confirmed by the <b>EMC certificate.</b></li> <li>• <b>Wide range of applications.</b> Perfect for specialized vehicles, semi-trailers, trailers, light electric vehicles, construction machinery and other commercial vehicles.</li> </ul>

Light group	HOR 145A	LED quantity	34
Light category	multifunction rear	Supply voltage	12/24V
Brake light	yes	Rear position light	yes
Operating temp range	from -30°C to +50°C	Side	universal
Rear direction indicator	yes	LED light	yes
Ingress protection rating	IP68	Cable	4x0.5mm <sup>2</sup> , cable length 1m

## LZKD 3141

REAR MULTIFUNCTION DYNAMIC DIRECTION INDICATOR

**R10**



Description	Key Product Features
<p>Rear multifunction light with dynamic direction indicator LIZARD</p> <p>Compact rear multifunction lamp <b>LIZARD LZD 3141</b>, which combines innovative LED technology with modern design. Thanks to the use of <b>34 diodes</b>, the lamp provides excellent visibility in all conditions, which makes it an ideal solution for various types of vehicles.</p>	<ul style="list-style-type: none"> <li>The LZD 3141 multifunction lamp provides three light functions: <b>position, braking and dynamic direction indicator</b>.</li> <li>The lamp is <b>universal in installation</b>, it can be mounted on both the left and right side of the vehicle.</li> <li>Supply voltage. The lamp operates in the voltage range of <b>12/24 V</b>.</li> <li>Wide operating temperature range from <b>-30°C to +50°C</b>. The lamp is resistant to various weather conditions, which ensures its reliability in extreme temperatures.</li> <li><b>High resistance</b>. The lamp is fully hermetic (compliance with the degree of protection against moisture <b>IP 68</b>), resistant to high and low temperatures and mechanical damage.</li> <li>The operation of the lamp is also guaranteed in a way that does not emit electromagnetic interference and is electromagnetic interference-resistant, which is confirmed by the <b>EMC certificate</b>.</li> <li><b>Wide range of applications</b>. Perfect for specialized vehicles, semi-trailers, trailers, light electric vehicles, construction machinery and other commercial vehicles.</li> </ul>

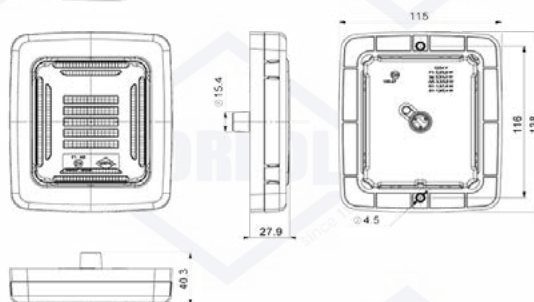
Light group	HOR 145AD	LED quantity	34
Light category	multifunction rear	Supply voltage	12/24V
Brake light	yes	Rear position light	yes
Operating temp range	from -30°C to +50°C	Side	universal
Dynamic direction indicator	yes	LED light	yes
Ingress protection rating	IP68	Cable	4x0.5mm <sup>2</sup> , cable length 1m

## CUBE LZD 2876

REAR COMBINATION LIGHT

**R10**

# CUBE



Description	Key Product Features
<p>The <b>CUBE LZD 2876</b> rear combination light is a functional and well-engineered LED lighting solution designed for reliable operation in demanding road conditions. Its compact form and <b>slightly tinted lens</b> give the lamp a modern appearance that integrates seamlessly with various vehicle body types.</p> <p>The product is intended for a wide range of commercial vehicles, including trailers, semi-trailers, trucks, agricultural machinery, and specialized vehicles. <b>The lamp plays a key role in ensuring safety during maneuvering and driving in difficult weather conditions.</b></p>	<ul style="list-style-type: none"> <li>The LZD 2876 model is equipped with <b>two essential lighting functions</b>: a <b>rear fog light</b> (3.3/3.8 W) and a <b>reverse light</b>(3.3/3.8 W), ensuring good visibility for both the driver and other road users. The use of 31 LEDs provides sufficient light intensity while maintaining low power consumption.</li> <li>Its universal design allows installation on both sides of the vehicle, exclusively in a <b>vertical position</b>. Thanks to its <b>12/24 V power supply</b> range, the product is compatible with most vehicle electrical systems.</li> <li>The lamp is supplied with a spacer frame for easy and stable mounting on flat surfaces, as well as an outer frame that enhances the visual finish and protects the lamp edges. This solution increases versatility and makes it easier to adapt the product to different vehicle body types.</li> </ul>

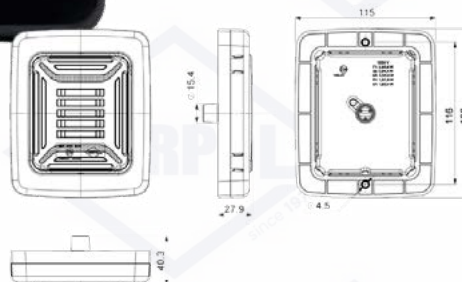
Light group	HOR 164	LED quantity	31
Light category	multifunction rear	Supply voltage	12/24V
Fog light	yes		
Operating temp range	from -30°C to +50°C	Side	universal
Reversing light	yes	LED light	yes
Ingress protection rating	IP68	Cable	3x0.5mm <sup>2</sup> , cable length 1m

## CUBE LZD 2877

REAR COMBINATION LAMP

# CUBE

**R10**



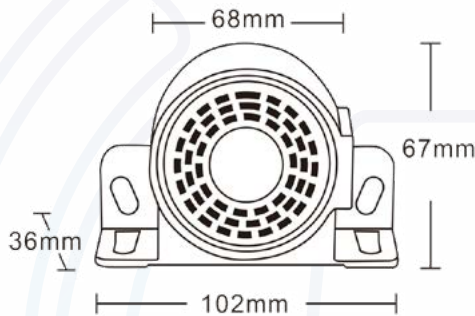
Description	Key Product Features
<p>The <b>CUBE LZD 2877</b> rear combination lamp is a modern and visually striking LED lighting solution that combines high functionality with an attractive, minimalist design. Its distinctive light pattern – featuring dynamic, angular lines alongside precise horizontal LED strips – ensures the vehicle immediately stands out on the road. <b>It is designed for drivers who expect more than standard lighting solutions.</b></p>	<p>The product has been developed for a wide range of commercial vehicles. It is ideal for trailers, semi-trailers, trucks, agricultural machinery, and special-purpose vehicles, where durability, resistance, and clear light signaling are essential. Its universal design allows installation on both the left and right sides of the vehicle, <b>as well as in horizontal or vertical positions</b>, making it easy to adapt to various vehicle body types.</p> <p>The lamp is equipped with three main functions:</p> <ul style="list-style-type: none"> <li>• <b>rear NEON position light: 1.3/1.8 W</b></li> <li>• <b>brake light: 1.9/2.4 W</b></li> <li>• <b>rear NEON turn signal</b> with optional sequential activation: 3.3/4.4 W</li> <li>• The <b>slightly tinted lens</b> gives it a modern appearance without negatively affecting light intensity.</li> </ul>

Light group	HOR 164	LED quantity	98
Light category	multifunction rear	Supply voltage	12/24V
Brake light	yes	Rear position light	yes
Operating temp range	from -30°C to +50°C	Side	universal
Rear direction indicator	yes	LED light	yes
Ingress protection rating	IP68	Cable	5x0.5mm <sup>2</sup> , cable length 1m

## VSWD-402-W

REVERSE ALARM

**R10**



Part Number	Description
VSWD-402-W	402 Plus Alarm, 87, 97 and 107dB 10-80v 2 Sounds Night Silent 5 Wires
VSWD-402-W-DE	402 Double Engage Alarm, 87, 97 and 107dB, 10-60v 2 Sounds

<b>DB Rating</b>	87, 97 and 107dB	<b>Approvals</b>	ECE R10 UKCA
<b>Voltage</b>	10-80v	<b>IP Rating</b>	IP67
<b>Mounting</b>	Bolts, Wires	<b>Additional Features</b>	Night Silent Function Double Engage Function
<b>Dimensions</b>	102 x 36 x 67mm	<b>Box Qty</b>	50
<b>Housing Material</b>	ABS	<b>Tone</b>	White Noise & Tonal

## VSWD-406

TALKING ALARM

**R10**



Part Number	Description
VSWD-406-W-V-LRR-DE	Talking Alarm Left Turn, Right Turn, Reversing, Double Engage, 97dB 10-30v

<b>DB Rating</b>	97 dB	<b>Approvals</b>	ECE R10 UKCA
<b>Voltage</b>	10-30v	<b>IP Rating</b>	IP68
<b>Mounting</b>	Bolts, Wires	<b>Additional Features</b>	Other messages available Double Engage
<b>Dimensions</b>	84 x 68 x 45mm	<b>Box Qty</b>	40
<b>Housing Material</b>	Glass Filled Nylon	<b>Tone</b>	Talking Voice

## VSWD-407

DOUBLE ENGAGE ALARM

**R10**



Part Number	Description
VSWD-407-W-WNDE	White Noise, Double Engage, Night Silent Alarm

<b>DB Rating</b>	97 dB	<b>Approvals</b>	ECE R10
<b>Voltage</b>	10-30v	<b>IP Rating</b>	IP68
<b>Mounting</b>	Bolts, Wires	<b>Additional Features</b>	
<b>Dimensions</b>	84 x 68 x 45mm	<b>Box Qty</b>	40
<b>Housing Material</b>	Glass Filled Nylon	<b>Tone</b>	White Noise

## VSWD-01BRACKET

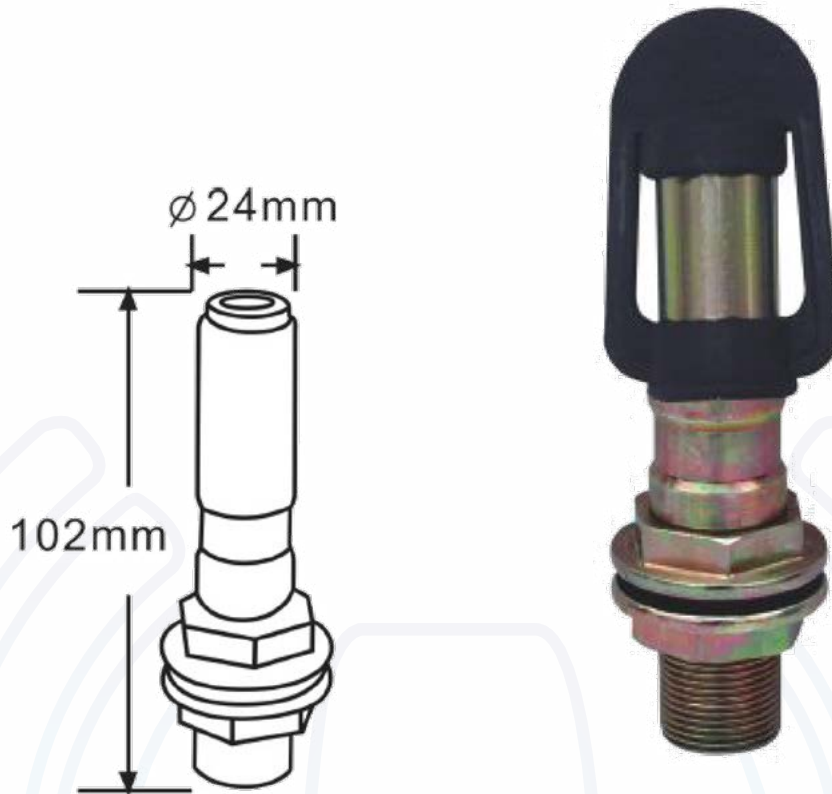
BRACKETS



Part Number	Description
VSWD-01BRACKET	Bracket kit to fit Mini Bars Made from galvanised steel Kit comes with foam pads and bolts Dimensions 240 x 100 x 100mm

## VSWD-BRACKET1

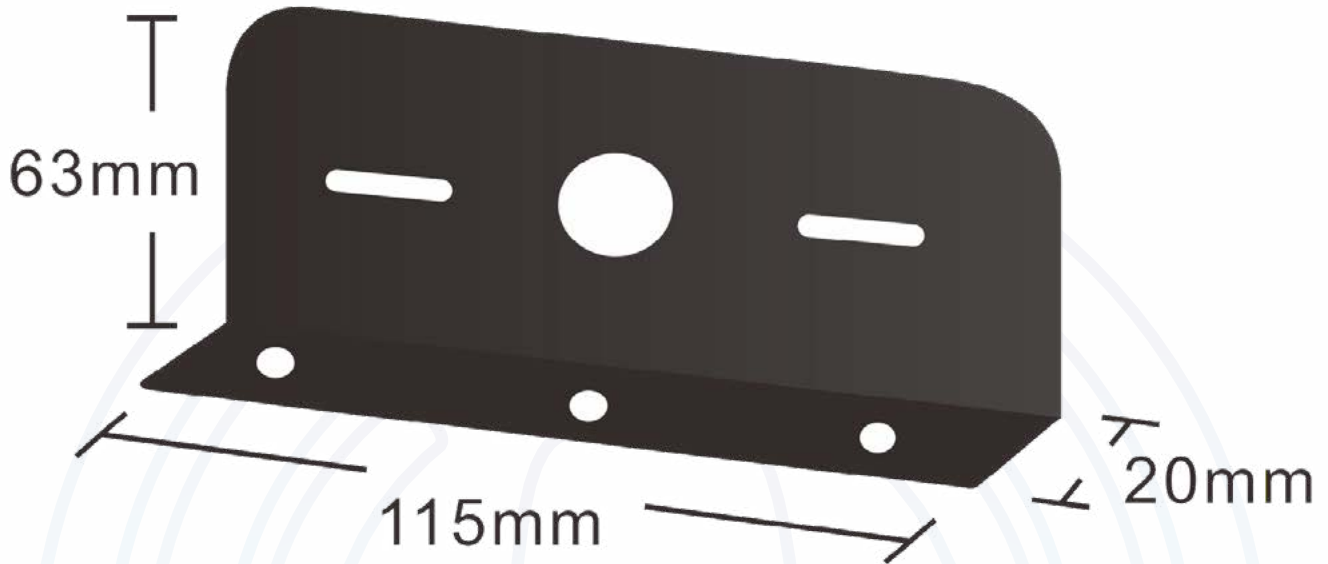
BRACKETS



Part Number	Description
BRACKET1	Pole mount bracket Made from Iron Dimensions 102 x 24mm

## VSWD-BRACKET7

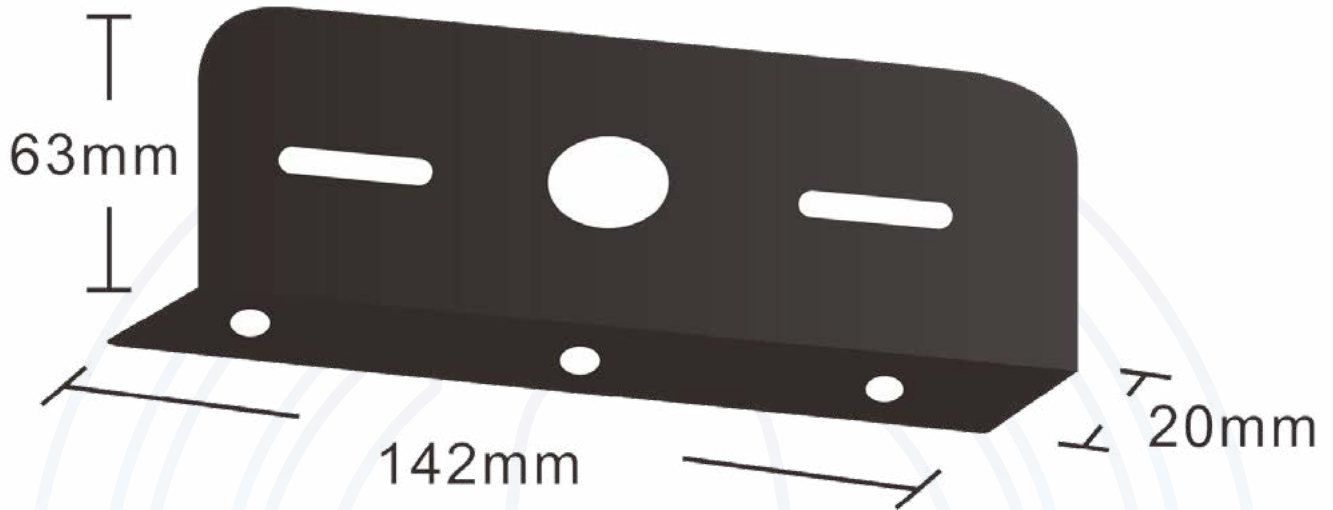
BRACKETS



Part Number	Description
BRACKET7	Strobe Light Bracket Made from iron Dimensions 115 x 63 x 20mm

## VSWD-BRACKET8

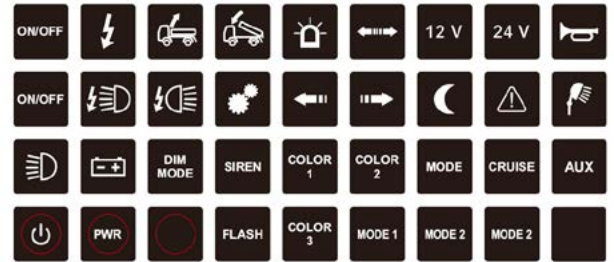
BRACKETS



Part Number	Description
BRACKET8	Strobe Light Bracket Made from iron Dimensions 142 x 63 x 20mm

## VSWD-SB4

SWITCH BOX



36 icon sticker



Suction Cup Bracket(Optional)

Part Number	Description
<b>VSWD-SB4</b> • SWITCH BOX 4 WAY MINI CONTROLLER 10-30V IP67	<ul style="list-style-type: none"> <li>• 4 programmable momentary or on/off buttons.</li> <li>• 36 selectable icon sticker to clearly label your panel.</li> <li>• IP67 waterproof.</li> <li>• 4 x 5 amp outputs.</li> <li>• Dual color led background rubber buttons.</li> <li>• Multiple mounts options are available.</li> <li>• Certification: ECE R10.</li> <li>• ALL-IN-ONE Controller with integrated relay.</li> <li>• Universal compatibility.</li> <li>• Over-temperature protection and short circuit protection.</li> </ul>
<b>VSWD-SBB</b> • BRACKET FOR SWITCH BOX 4 WAY MINI CONTROLLER SB4	

<b>Dimensions</b>	62mm L x 62mm W x 25mm H	<b>Voltage</b>	10-30 VDC
<b>Warranty</b>	2 years	<b>Max Current Output</b>	20A
<b>Cable Harness Length</b>	300mm	<b>Fuse</b>	20A

## VSWD-OR303-2

OFF ROAD

**R10**



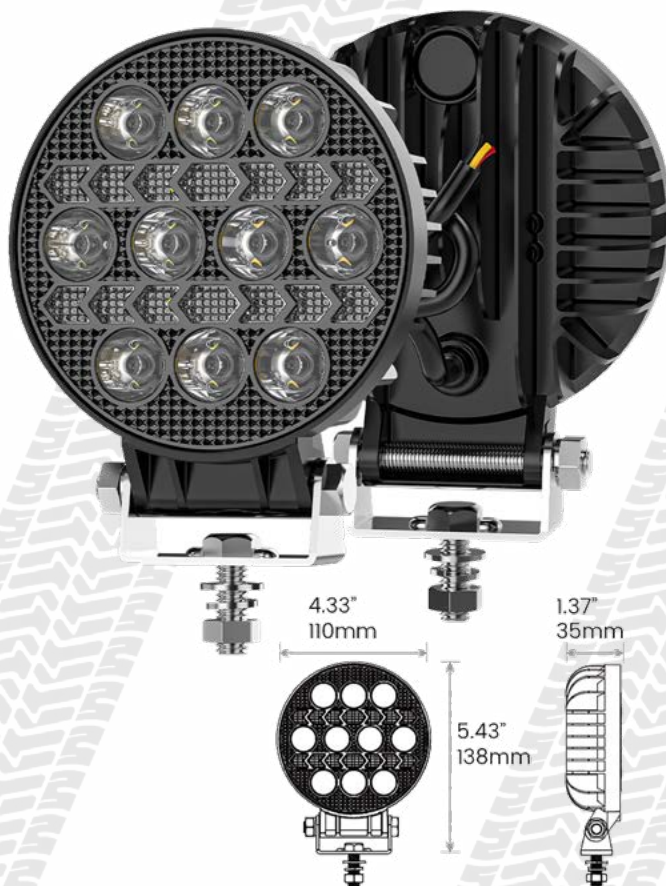
Part Number	Description
VSWD-OR303-2	Odyssey Off Road 3" Twin Kit 3200 LM with Position 9-36v

<b>Lumens</b>	3200 LM	<b>Approvals</b>	ECE R10
<b>Voltage</b>	9-36v	<b>IP Rating</b>	IP67
<b>LEDs</b>	4 LEDs	<b>Beam Pattern</b>	Flood
<b>Mounting</b>	Bolt & Bracket	<b>Additional Features</b>	Position lamp
<b>Dimensions</b>	80mm x 90mm x 55mm	<b>Box Qty</b>	10
<b>Housing Material</b>	Aluminium	<b>Lens Material</b>	Polycarbonate

## VSWD-OR401

OFF ROAD

**R10**



Part Number	Description
VSWD-OR401	Odyssey Off Road 4" Round Lamp 2000 LM with Position 9-36v

<b>Lumens</b>	2000 LM	<b>Approvals</b>	ECE R10
<b>Voltage</b>	9-36v	<b>IP Rating</b>	IP67
<b>LEDs</b>	10 LEDs	<b>Beam Pattern</b>	Flood
<b>Mounting</b>	Bolt & Bracket	<b>Additional Features</b>	Position lamp
<b>Dimensions</b>	138mm x 110mm x 35mm	<b>Box Qty</b>	50
<b>Housing Material</b>	Aluminium	<b>Lens Material</b>	Polycarbonate

## VSWD-OR402

OFF ROAD

**R10**



Part Number	Description
VSWD-OR402	Odyssey Off Road 4" Square Lamp 2000 LM with Position 9-36v

<b>Lumens</b>	2000 LM	<b>Approvals</b>	ECE R10
<b>Voltage</b>	9-36v	<b>IP Rating</b>	IP67
<b>LEDs</b>	12 LEDs	<b>Beam Pattern</b>	Flood
<b>Mounting</b>	Bolt & Bracket	<b>Additional Features</b>	Position lamp
<b>Dimensions</b>	138mm x 110mm x 32mm	<b>Box Qty</b>	50
<b>Housing Material</b>	Aluminium	<b>Lens Material</b>	Polycarbonate

## VSWD-OR403-2

OFF ROAD

**R10**



Part Number	Description
VSWD-OR403-2	Odyssey Off Road 4" Twin Kit 2600 LM with Position 9-36v

<b>Lumens</b>	2600 LM	<b>Approvals</b>	ECE R10
<b>Voltage</b>	9-36v	<b>IP Rating</b>	IP67
<b>LEDs</b>	10 LEDs	<b>Beam Pattern</b>	Flood
<b>Mounting</b>	Bolt & Bracket	<b>Additional Features</b>	Position lamp
<b>Dimensions</b>	109mm x 120mm x 68mm	<b>Box Qty</b>	5
<b>Housing Material</b>	Aluminium	<b>Lens Material</b>	Polycarbonate

## VSWD-OR501

OFF ROAD

**R10**



Part Number	Description
VSWD-OR501	Odyssey Off Road 5" Square Lamp 3600 LM with Position 9-36v

<b>Lumens</b>	3600 LM	<b>Approvals</b>	ECE R10
<b>Voltage</b>	9-36v	<b>IP Rating</b>	IP67
<b>LEDs</b>	18 LEDs	<b>Beam Pattern</b>	Flood
<b>Mounting</b>	Bolt & Bracket	<b>Additional Features</b>	Position lamp
<b>Dimensions</b>	147mm x 129mm x 37mm	<b>Box Qty</b>	20
<b>Housing Material</b>	Aluminium	<b>Lens Material</b>	Polycarbonate

## VSWD-OR502

OFF ROAD

**R10**



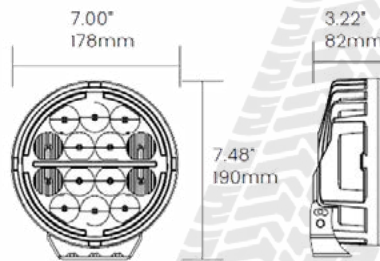
Part Number	Description
VSWD-OR502	Odyssey Off Road 5" Lamp 24000 LM with Position 9-36v

<b>Lumens</b>	24000 LM	<b>Approvals</b>	ECE R10
<b>Voltage</b>	9-36v	<b>IP Rating</b>	IP67
<b>LEDs</b>	8 LEDs	<b>Beam Pattern</b>	Flood
<b>Mounting</b>	Bolt & Bracket	<b>Additional Features</b>	Position lamp
<b>Dimensions</b>	110mm x 138mm x 32mm	<b>Box Qty</b>	50
<b>Housing Material</b>	Aluminium	<b>Lens Material</b>	Polycarbonate

## VSWD-OR701

OFF ROAD

**R10**



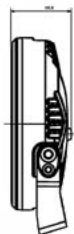
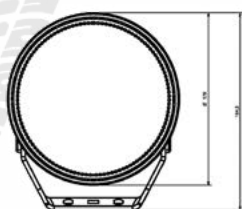
Part Number	Description
VSWD-OR701	Odyssey Off Road 7" Round Lamp 14000 LM with Position 9-36v

<b>Lumens</b>	14000 LM	<b>Approvals</b>	ECE R10
<b>Voltage</b>	9-36v	<b>IP Rating</b>	IP67
<b>LEDs</b>	14 LEDs	<b>Beam Pattern</b>	Flood
<b>Mounting</b>	Bolt & Bracket	<b>Additional Features</b>	Position Lamp
<b>Dimensions</b>	178mm x 190mm x 82mm	<b>Box Qty</b>	5
<b>Housing Material</b>	Aluminium	<b>Lens Material</b>	Polycarbonate

## VSWD-OR702

OFF ROAD

**R10**



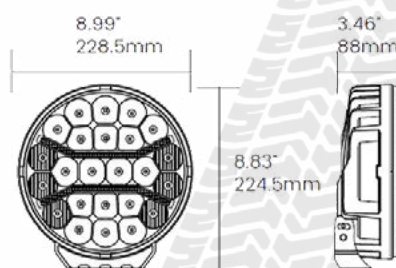
Part Number	Description
VSWD-OR702	Odyssey Off Road 7" Drive Lamp 11800 LM with Position 10-48v

<b>Lumens</b>	11800 LM	<b>Approvals</b>	ECE R10/R148/R149
<b>Voltage</b>	10-48v	<b>IP Rating</b>	IP67
<b>LEDs</b>	20 LEDs	<b>Beam Pattern</b>	Drive light
<b>Mounting</b>	Bolt & Bracket	<b>Additional Features</b>	Position Lamp
<b>Dimensions</b>	170mm x 170mm x 60mm	<b>Box Qty</b>	12
<b>Housing Material</b>	Aluminium	<b>Lens Material</b>	Polycarbonate

## VSWD-OR901

OFF ROAD

**R10**



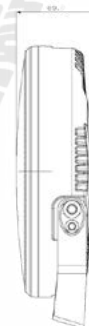
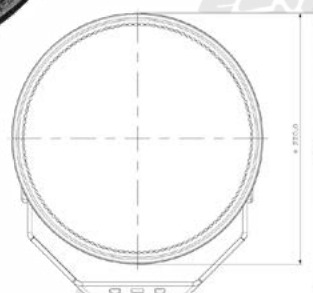
Part Number	Description
VSWD-OR901	Odyssey Off Road 9" Round Lamp 24000 LM with Position 9-36v

<b>Lumens</b>	24000 LM	<b>Approvals</b>	ECE R10
<b>Voltage</b>	9-36v	<b>IP Rating</b>	IP67
<b>LEDs</b>	24 LEDs	<b>Beam Pattern</b>	Flood
<b>Mounting</b>	Bolt & Bracket	<b>Additional Features</b>	Position Lamp
<b>Dimensions</b>	229mm x 225mm x 88mm	<b>Box Qty</b>	5
<b>Housing Material</b>	Aluminium	<b>Lens Material</b>	Polycarbonate

## VSWD-OR902

OFF ROAD

**R10**



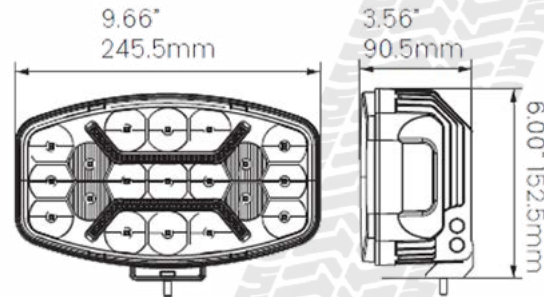
Part Number	Description
VSWD-OR902	Odyssey Off Road 9" Drive Lamp 14400 LM with Position 10-48v

<b>Lumens</b>	14400 LM	<b>Approvals</b>	ECE R10/R148/R149
<b>Voltage</b>	10-48v	<b>IP Rating</b>	IP67
<b>LEDs</b>	22 LEDs	<b>Beam Pattern</b>	Drive Light
<b>Mounting</b>	Bolt & Bracket	<b>Additional Features</b>	Position Lamp
<b>Dimensions</b>	220mm x 220mm x 70mm	<b>Box Qty</b>	8
<b>Housing Material</b>	Aluminium	<b>Lens Material</b>	Polycarbonate

## VSWD-OR1001

OFF ROAD

**R10**



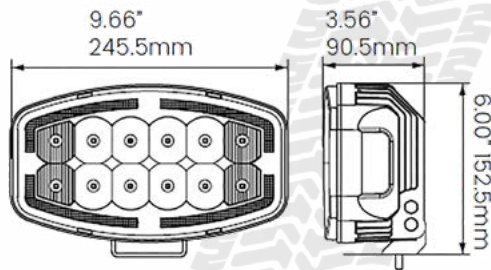
Part Number	Description
VSWD-OR1001	Odyssey Off Road 10" Lamp 19000 LM with Position 9-36v

<b>Lumens</b>	19000LM	<b>Approvals</b>	ECE R10
<b>Voltage</b>	9-36v	<b>IP Rating</b>	IP67
<b>LEDs</b>	19 LEDs	<b>Beam Pattern</b>	Flood
<b>Mounting</b>	Bolt & Bracket	<b>Additional Features</b>	Position lamp
<b>Dimensions</b>	246mm x 153mm x 91mm	<b>Box Qty</b>	10
<b>Housing Material</b>	Aluminium	<b>Lens Material</b>	Polycarbonate

## VSWD-OR1002

OFF ROAD

**R10**



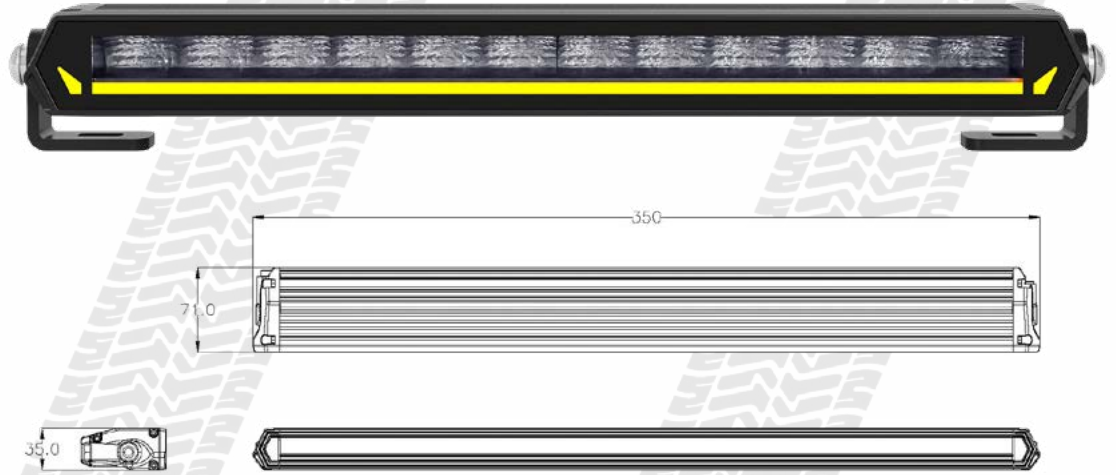
Part Number	Description
VSWD-OR1002	Odyssey Off Road 10" Lamp 12000 LM with Position 9-36v

<b>Lumens</b>	12000LM	<b>Approvals</b>	ECE R10
<b>Voltage</b>	9-36v	<b>IP Rating</b>	IP67
<b>LEDs</b>	12 LEDs	<b>Beam Pattern</b>	Flood
<b>Mounting</b>	Bolt & Bracket	<b>Additional Features</b>	Position lamp
<b>Dimensions</b>	246mm x 153mm x 91mm	<b>Box Qty</b>	10
<b>Housing Material</b>	Aluminium	<b>Lens Material</b>	Polycarbonate

## VSWD-OR-WL613

OFF ROAD

**R10**



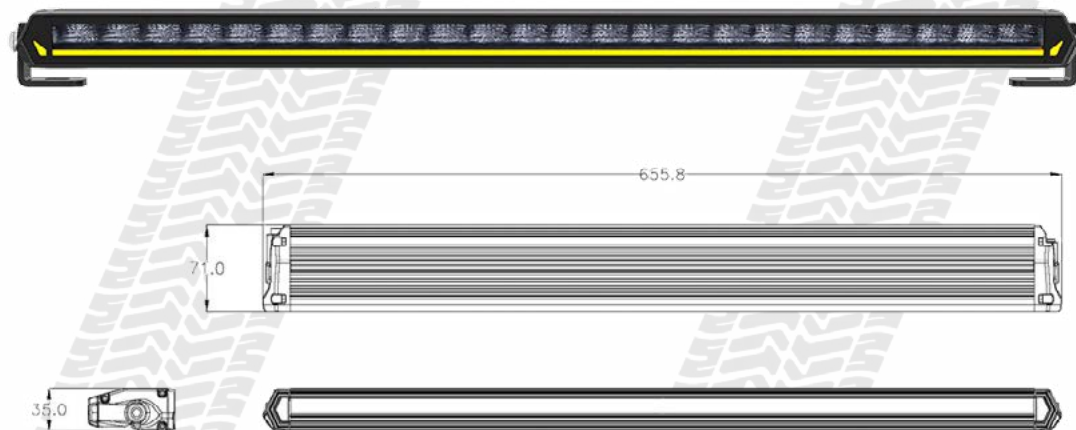
Part Number	Description
VSWD-OR-WL613	Odyssey Off Road 13.8" Bar 3348 LM with Position 10-48v

<b>Lumens</b>	3348 LM	<b>Approvals</b>	ECE R10/R148
<b>Voltage</b>	10-48v	<b>IP Rating</b>	IP67
<b>LEDs</b>	12 LEDs	<b>Beam Pattern</b>	Drive Light
<b>Mounting</b>	Bolt & Bracket	<b>Additional Features</b>	Position lamp
<b>Dimensions</b>	350mm x 71mm x 35mm	<b>Box Qty</b>	6
<b>Housing Material</b>	Aluminium	<b>Lens Material</b>	Polycarbonate

## VSWD-OR-WL626

OFF ROAD

**R10**



Part Number	Description
VSWD-OR-WL626	Odyssey Off Road 26" Bar 6696 LM with Position 10-48v

<b>Lumens</b>	6696 LM	<b>Approvals</b>	ECE R10/R148
<b>Voltage</b>	10-48v	<b>IP Rating</b>	IP67
<b>LEDs</b>	24 LEDs	<b>Beam Pattern</b>	Drive Light
<b>Mounting</b>	Bolt & Bracket	<b>Additional Features</b>	Position lamp
<b>Dimensions</b>	656mm x 71mm x 35mm	<b>Box Qty</b>	4
<b>Housing Material</b>	Aluminium	<b>Lens Material</b>	Polycarbonate



SAFETY SHOULD NOT COME AT A PREMIUM

## Vehicle Safety and Warning Distribution Ltd

Unit 2 Manse Lane Industrial Estate,  
Manse Lane,  
Knaresborough  
HG5 8LF

**Telephone:** +44 (0) 113 4575540

**Email:** [sales@vswd-ltd.co.uk](mailto:sales@vswd-ltd.co.uk)

[www.vswd-ltd.co.uk](http://www.vswd-ltd.co.uk)

