

SAFETY SHOULD NOT COME AT A PREMIUM

PRODUCT CATALOGUE

www.vswd-ltd.co.uk

Updated : June 2026

VSWD is focused on bringing safety and warning products to all automotive sectors that are **innovative**, **certified** and **approved**.

We always have our customers in mind and we're **always competitive**.

SAFETY SHOULD NOT COME AT A PREMIUM


CONTACT US

Vehicle Safety and Warning Distribution Ltd
Unit 2 Manse Lane Industrial Estate
Manse Lane
Knaresborough
HG5 8LF

Telephone: +44 (0) 113 4575540
Email: sales@vswd-ltd.co.uk

You can follow us on Social Media:

 <https://www.linkedin.com/company/vehicle-safety-and-warning-distribution-ltd/>

 <https://www.youtube.com/channel/UC7QSx80PbdS-o-pF19iGSfg>



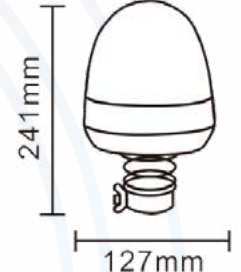
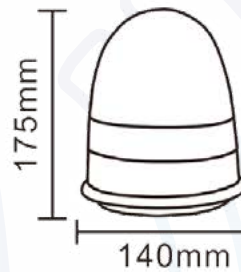
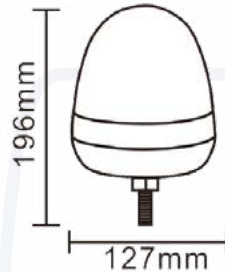
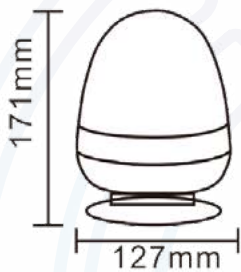
CONTENTS

PRODUCT CATEGORY	Page	PRODUCT CATEGORY	Page	PRODUCT CATEGORY	Page
BEACONS		LIGHTBARS		CV LIGHTING (cont.)	
VSWD-209	<u>4</u>	VSWD-770	<u>47</u>	VSWD-849	<u>95</u>
VSWD-210	<u>5</u>	VSWD-770 Smoked	<u>48</u>	VSWD-850 Series	<u>96</u>
VSWD-211	<u>6</u>	VSWD-780	<u>49</u>	VSWD-871	<u>97</u>
VSWD-221	<u>7</u>	VSWD-790	<u>50</u>	VSWD-872	<u>98</u>
VSWD-231	<u>8</u>	VSWD-790 Smoked	<u>51</u>	VSWD-873	<u>99</u>
VSWD-233	<u>9</u>			VSWD-SL2800	<u>100</u>
VSWD-255	<u>10</u>	WORKLAMPS		LD675 GRAPHITE	<u>101</u>
VSWD-270	<u>11</u>	VSWD-WL601	<u>52</u>	LD676 GRAPHITE	<u>102</u>
VSWD-FLT241	<u>12</u>	VSWD-WL602	<u>53</u>	LD677 GRAPHITE	<u>103</u>
VSWD-FLT278	<u>13</u>	VSWD-WL604	<u>54</u>	LD2174 GRAPHITE	<u>104</u>
VSWD-FLT280	<u>14</u>	VSWD-WL605	<u>55</u>	LD2175 GRAPHITE	<u>105</u>
		VSWD-WL606	<u>56</u>	LD2191 GRAPHITE	<u>106</u>
STROBES		VSWD-WL610	<u>57</u>	LD3063	<u>107</u>
VSWD-HLED	<u>15</u>	VSWD-WL611	<u>58</u>	LD3064	<u>108</u>
VSWD-73	<u>16</u>	VSWD-WL614	<u>59</u>	LD3065	<u>109</u>
VSWD-705	<u>17</u>	VSWD-WL615	<u>60</u>	LD2327	<u>110</u>
VSWD-706	<u>18</u>	VSWD-WL616-F	<u>61</u>	LD2328	<u>111</u>
VSWD-707	<u>19</u>	VSWD-WL617	<u>62</u>	LD2329	<u>112</u>
VSWD-708	<u>20</u>	VSWD-WL618	<u>63</u>	LD3210-GRAPHITE SLIM	<u>113</u>
VSWD-709	<u>21</u>	VSWD-WL619	<u>64</u>	LD3211-GRAPHITE	<u>114</u>
VSWD-710	<u>22</u>	VSWD-WL620	<u>65</u>	LD3212-GRAPHITE SLIM	<u>115</u>
VSWD-711 Smoked	<u>23</u>	VSWD-WL626	<u>66</u>	LKD 2249/ST	<u>116</u>
VSWD-6H75	<u>24</u>	VSWD-WL634	<u>67</u>	LZKD 3140	<u>117</u>
VSWD-C704	<u>25</u>	VSWD-WL635	<u>68</u>	LZKD 3141	<u>118</u>
VSWD-C722	<u>26</u>	VSWD-WL636	<u>69</u>	CUBE LZD 2876	<u>119</u>
VSWD-HL300	<u>27</u>	VSWD-WL621W	<u>70</u>	CUBE LZD 2877	<u>120</u>
VSWD-HL301	<u>28</u>	VSWD-WL6100 SERIES	<u>71</u>		
VSWD-HL305	<u>29</u>	VSWD-DL4800	<u>72</u>	ALARMS	
VSWD-HIL308	<u>30</u>	VSWD-FLT620	<u>73</u>	VSWD-402-W	<u>121</u>
VSWD-HIL310	<u>31</u>	VSWD-FLT621	<u>74</u>	VSWD-406	<u>122</u>
VSWD-DL18	<u>32</u>	VSWD-FLT622	<u>75</u>	VSWD-407	<u>123</u>
VSWD-S500	<u>33</u>	VSWD-FLT630	<u>76</u>		
				BRACKETS / ACCESSORIES	
MINIBARS		INTERIOR LIGHTS		VSWD-01BRACKET	<u>124</u>
VSWD-112	<u>34</u>	VSWD-INT130	<u>77</u>	VSWD-BRACKET1	<u>125</u>
VSWD-114	<u>35</u>	VSWD-INT173	<u>78</u>	VSWD-BRACKET7	<u>126</u>
VSWD-114 Smoked	<u>36</u>	VSWD-INT300	<u>79</u>	VSWD-BRACKET8	<u>127</u>
VSWD-116	<u>37</u>	VSWD-INT600	<u>80</u>	VSWD-SB4	<u>128</u>
VSWD-116 Smoked	<u>38</u>	VSWD-INT310/ 510 / 1000	<u>81</u>		
VSWD-117	<u>39</u>	VSWD-PIR Series	<u>82</u>	OFF ROAD	
VSWD-117 Smoked	<u>40</u>	VSWD-SW Series	<u>83</u>	VSWD-OR303-2	<u>129</u>
VSWD-138	<u>41</u>	VSWD-ML01	<u>84</u>	VSWD-OR401	<u>130</u>
VSWD-138 Smoked	<u>42</u>			VSWD-OR402	<u>131</u>
VSWD-139	<u>43</u>	CV LIGHTING		VSWD-OR403-2	<u>132</u>
VSWD-139 Smoked	<u>44</u>	VSWD-790	<u>85</u>	VSWD-OR501	<u>133</u>
VSWD-156	<u>45</u>	VSWD-802	<u>86</u>	VSWD-OR502	<u>134</u>
VSWD-156 Smoked	<u>46</u>	VSWD-810	<u>87</u>	VSWD-OR701	<u>135</u>
		VSWD-810-AMP	<u>88</u>	VSWD-OR702	<u>136</u>
		VSWD-820	<u>89</u>	VSWD-OR901	<u>137</u>
		VSWD-844-A	<u>90</u>	VSWD-OR902	<u>138</u>
		VSWD-845-A	<u>91</u>	VSWD-OR1001	<u>139</u>
		VSWD-846-A-AMP	<u>92</u>	VSWD-OR1002	<u>140</u>
		VSWD-847	<u>93</u>	VSWD-OR-WL613	<u>141</u>
		VSWD-848	<u>94</u>	VSWD-OR-WL626	<u>142</u>

VSWD-209

BEACON SERIES

R10



Part Number	+ Base Type	+ Colour
VSWD-209S-Base-Colour	E = 1 Bolt D = 3 Bolt C = Magnetic G = Flexi Din	A = Amber G = Green

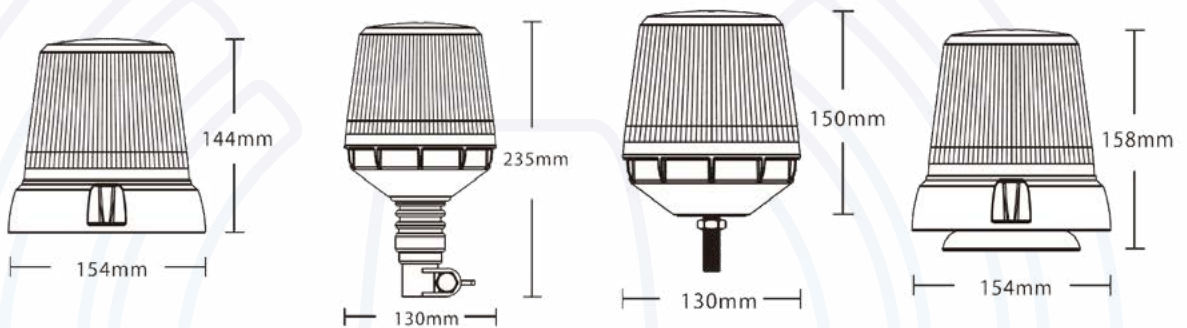
Flash Patterns	3 Patterns	Approvals	ECE R10
Voltage	9-30v	IP Rating	IP65
LEDs	60 LEDs	Colours	
Mounting	See above	Additional Features	
Dimensions	See above	Box Qty	20
Housing Material	Polycarbonate	Lens Material	Polycarbonate

VSWD-210


BEACON SERIES

R10

R65



Part Number	Description
VSWD-210-3-A	3 Bolt Fixing Amber
VSWD-210-FD-A	Flexi Din Fixing - Amber
VSWD-210-1B-A	1 Bolt Fixing - Amber
VSWD-210-M-A	Magnetic Fixing - Amber

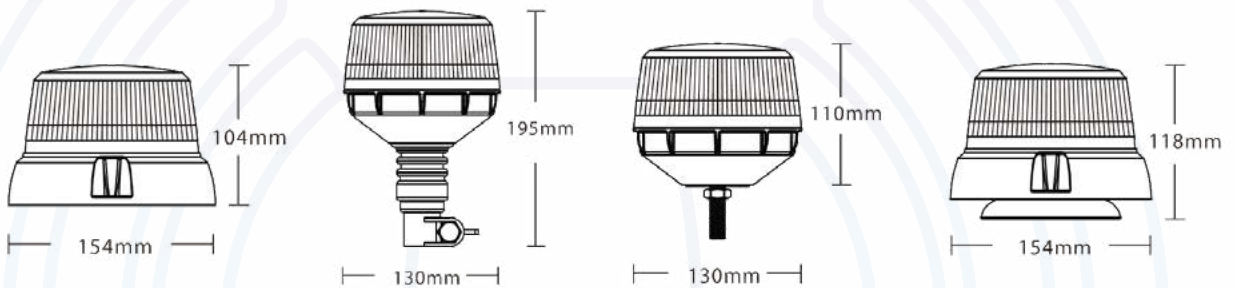
Flash Patterns	4 Patterns	Approvals	ECE R10 / ECE R65
Voltage	9-30v	IP Rating	IP67
LEDs	16 LEDs	Colours	
Mounting	See above	Additional Features	
Dimensions	See above	Box Qty	20
Housing Material	Polycarbonate	Lens Material	Polycarbonate

VSWD-211


BEACON SERIES

R10

R65



Part Number	Description
VSWD-211-3-A	3 Bolt Fixing Amber
VSWD-211-FD-A	Flexi Din Fixing - Amber
VSWD-211-1B-A	1 Bolt Fixing - Amber
VSWD-211-M-A	Magnetic Fixing - Amber

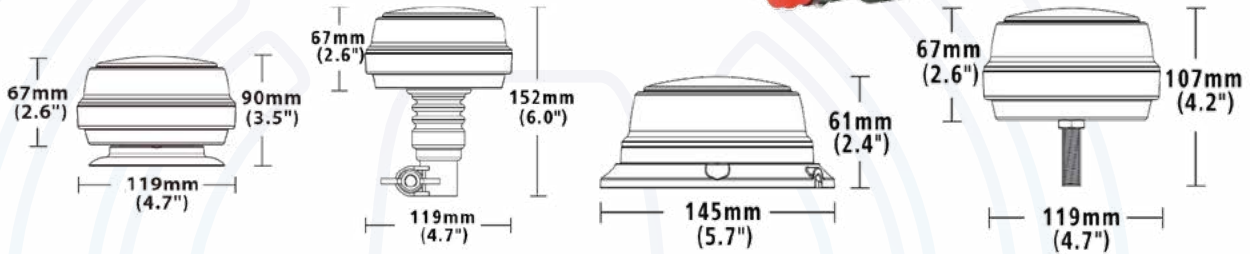
Flash Patterns	4 Patterns	Approvals	ECE R10 / ECE R65
Voltage	9-30v	IP Rating	IP67
LEDs	8 LEDs	Colours	
Mounting	See above	Additional Features	
Dimensions	See above	Box Qty	20
Housing Material	Polycarbonate	Lens Material	Polycarbonate

VSWD-221

BEACON SERIES

R10

R65



Part Number	Description
VSWD-221-1B-A	221 Series Beacon 1 Bolt Amber 12 LED
VSWD-221-3-A	221 Series Beacon 3 Bolt Amber 12 LED
VSWD-221-FD-A	221 Series Beacon Flexi Din Amber 12 LED
VSWD-221-M-A	221 Series Beacon Mag Amber 12LED

Flash Patterns	4 Patterns	Approvals	ECE R10 / ECE R65 TA1 UKCA
Voltage	10-30v	IP Rating	IP67
LEDs	12 LEDs	Colours	
Mounting	See above	Additional Features	ECE R65 includes rotating pattern
Dimensions	See above	Box Qty	20
Housing Material	Polycarbonate	Lens Material	Polycarbonate

VSWD-231


BEACON SERIES

R10

R65



Part Number	+ Base Type	+ Colour
VSWD-231L-Base-Colour	1 = 1 Bolt 3 = 3 Bolt M = Magnetic FD = Flexi Din	A = Amber B = Blue G = Green

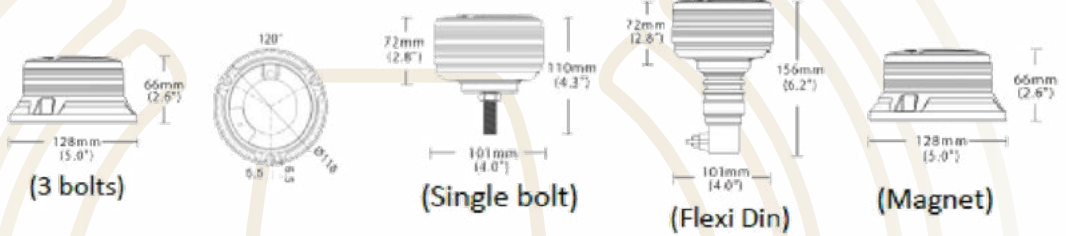
Flash Patterns	7 Patterns	Approvals	ECE R10 (All) ECE R65 (Amber & Blue)
Voltage	9-30v	IP Rating	IP67
LEDs	18 LEDs	Colours	
Mounting	See above	Additional Features	
Dimensions	See above	Box Qty	20 (1 Bolt/Flexi) 30 (3 Bolt/Mag)
Housing Material	Aluminium	Lens Material	Polycarbonate

VSWD-233

BEACON SERIES

R10

R65



Part Number	Description
VSWD-233-1B-AG	233 1 Bolt Beacon Dual colour Amber Green
VSWD-233-3-AG	233 3 Bolt Beacon Dual colour Amber Green
VSWD-233-FD-AG	233 Flexi Din Beacon Dual colour Amber Green
VSWD-233-M-AG	233 Mag Beacon Dual colour Amber Green

Flash Patterns	4 Patterns	Approvals	ECE R10, ECE R65 TA1 (Amber) Meets SAE J845 Class 1, CISPR 25 class 3
Voltage	12-24v	IP Rating	IP67
LEDs	24 LEDs Amber 24 LEDs Green	Colours	
Mounting	Various, see above	Additional Features	Green steady on pattern, Sync
Dimensions	See above	Box Qty	20
Housing Material	Polycarbonate	Lens Material	Polycarbonate

VSWD-255


BEACON SERIES

R10

R65



Part Number	Description
VSWD-255-1B-A	1 Bolt Fixing Amber
VSWD-255-FD-A	Flexi Din Fixing - Amber
VSWD-255-3-A	3 Bolt Fixing - Amber
VSWD-255-M-A	Magnetic Fixing - Amber

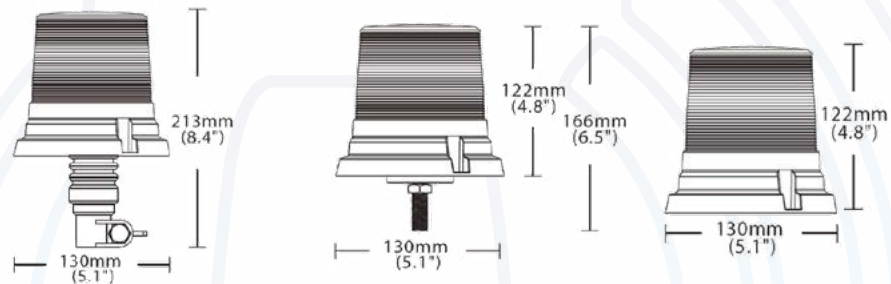
Flash Patterns	7 Patterns	Approvals	ECE R10, ECE R65, SAE J845 Class 1, ICAO CAP168
Voltage	9-30v	IP Rating	IP67
LEDs	24 LEDs	Colours	
Mounting	See above	Additional Features	Airport Approved
Dimensions	See above	Box Qty	30
Housing Material	Polycarbonate	Lens Material	Polycarbonate

VSWD-270


BEACON SERIES

R10

R65



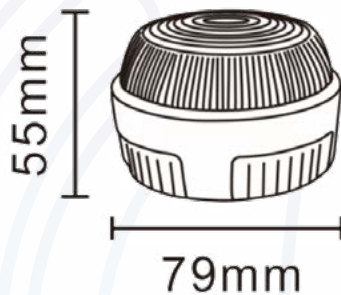
Part Number	Description
VSWD-270-1B-A	270 SERIES BEACON 1 BOLT AMBER 24LED
VSWD-270-3-A	270 SERIES BEACON 3 BOLT AMBER 24LED
VSWD-270-FD-A	270 SERIES BEACON FLEXI DIN AMBER 24LED
VSWD-270M-A	270 SERIES BEACON MAG AMBER 24LED

Flash Patterns	7 Patterns	Approvals	ECE R10, R65, TA1
Voltage	12-24v	IP Rating	IP67
LEDs	24 LEDs	Colours	
Mounting	Various, see above	Additional Features	
Dimensions	See above	Box Qty	20
Housing Material	Polycarbonate	Lens Material	Polycarbonate


VSWD-FLT241

BEACON SERIES

R10



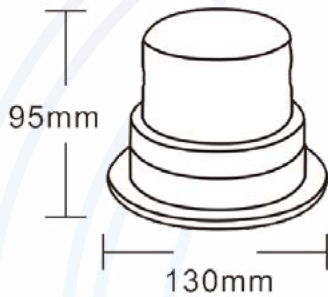
Part Number	Description
VSWD-FLT241-A	Bolt Fixing Amber
VSWD-FLT241-R	Bolt Fixing Red
VSWD-FLT241-G	Bolt Fixing Green

Flash Patterns	1 Pattern	Approvals	ECE R10 UKCA
Voltage	10-110v	IP Rating	IP67
LEDs	20 LEDs	Colours	
Mounting	See above	Additional Features	
Dimensions	See above	Box Qty	30
Housing Material	Polycarbonate	Lens Material	Polycarbonate


VSWD-FLT278

BEACON SERIES

R10



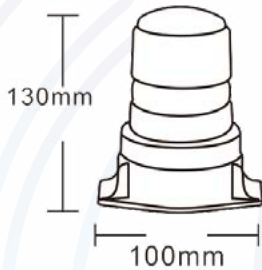
Part Number	Description
VSWD-FLT278-3-A	3 Bolt Fixing Amber

Flash Patterns	1 Pattern	Approvals	ECE R10 UKCA
Voltage	10-110v	IP Rating	IP65
LEDs	20 LEDs	Colours	
Mounting	See above	Additional Features	
Dimensions	See above	Box Qty	30
Housing Material	Polycarbonate	Lens Material	Polycarbonate


VSWD-FLT280

BEACON SERIES

R10



Part Number	Description
VSWD-FLT280-A	2 Bolt Fixing Amber

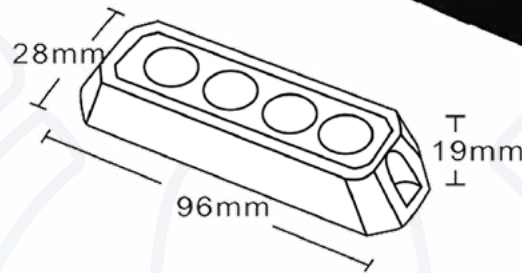
Flash Patterns	1 Pattern	Approvals	ECE R10 UKCA
Voltage	10-110v	IP Rating	IP65
LEDs	30 LEDs	Colours	
Mounting	See above	Additional Features	
Dimensions	See above	Box Qty	30
Housing Material	Polycarbonate	Lens Material	Polycarbonate

VSWD-HLED


STROBE SERIES

R10

R65



Part Number	Description
VSWD-4HLED-A	4 LED Amber

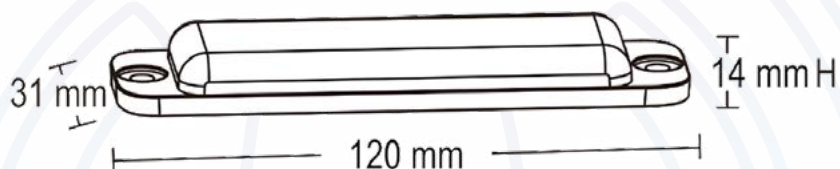
Flash Patterns	26 Patterns	Approvals	ECE R10 ECE R65
Voltage	9-30v	IP Rating	IP67
LEDs	4 LEDs	Colours	
Mounting	Bolt	Additional Features	Sync wire
Dimensions	See above	Box Qty	50
Housing Material	Aluminium	Lens Material	Polycarbonate

VSWD-73


STROBE SERIES

R10

R65



Part Number	Description
VSWD-6H73-Colour	A = Amber

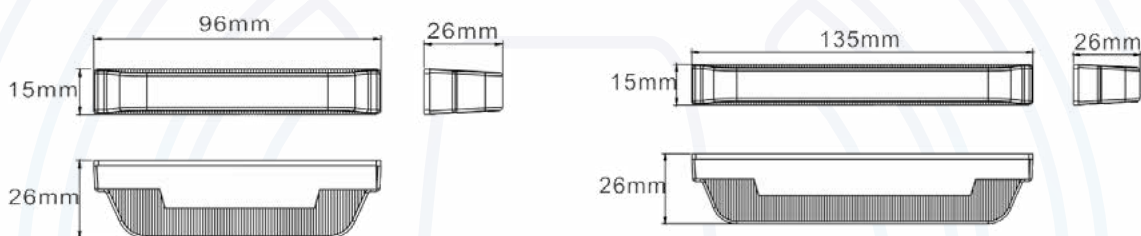
Flash Patterns	26 Patterns	Approvals	ECE R10 ECE R65
Voltage	9-30v	IP Rating	IP67
LEDs	6	Colours	
Mounting	Bolt	Additional Features	Sync wire
Dimensions	See above	Box Qty	50
Housing Material	Aluminium	Lens Material	Polycarbonate

VSWD-705

STROBE SERIES

R10

R65



Part Number	+ Colour
VSWD-4H705-Colour	A = Amber
VSWD-6H705-Colour	B = Blue

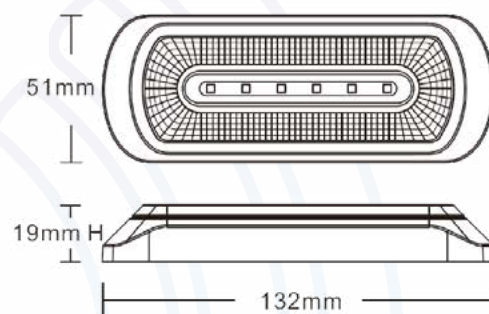
Flash Patterns	21 Patterns	Approvals	ECE R10, ECE R65 XA1/XB1
Voltage	9-30v	IP Rating	IP67
LEDs	4/6 LEDs	Colours	
Mounting	Bolt or Bracket	Additional Features	Sync wire
Dimensions	See above	Box Qty	50
Housing Material	Aluminium	Lens Material	Polycarbonate

VSWD-706


STROBE SERIES

R10

R65



Part Number	Description
VSWD-6H706A-ST	6 LED Amber Warning/ 18 LED Red Tail
VSWD-6H706A-DI	6 LED Amber Warning/18 LED Amber Directional Indicator
VSWD-6H706A-RV	6 LED Amber Warning/18 LED White Reverse

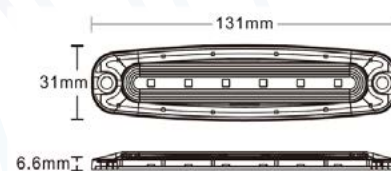
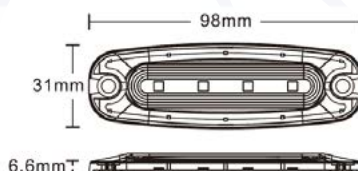
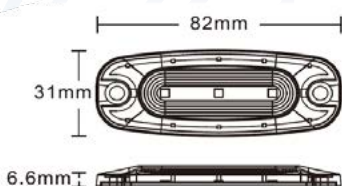
Flash Patterns	21 Patterns	Approvals	ECE R10, ECE R65 XAI, ECE R148
Voltage	9-30v	IP Rating	IP67
LEDs	6 + 18 LEDs	Colours	
Mounting	Bolt	Additional Features	Sync wire
Dimensions	See above	Box Qty	50
Housing Material	Aluminium	Lens Material	Polycarbonate

VSWD-707


STROBE SERIES

R10

R65



Part Number	+ Colour
VSWD-3H707-Colour	A = Amber
VSWD-4H707-Colour	B = Blue
VSWD-6H707-Colour	R = Red
	W = White

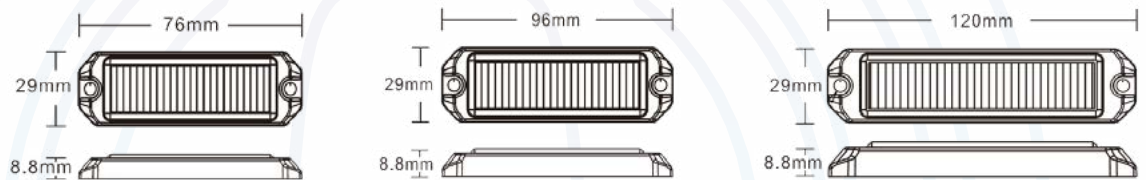
Flash Patterns	26 Patterns	Approvals	ECE R10 (All) ECE R65 (Amber & Blue)
Voltage	9-30v	IP Rating	IP67
LEDs	3/4/6 LEDs	Colours	
Mounting	Bolt or self adhesive	Additional Features	Sync wire
Dimensions	See above	Box Qty	50
Housing Material	Aluminium	Lens Material	Polycarbonate

VSWD-708

STROBE SERIES

R10

R65



Part Number	+ Colour
VSWD-3H708-Colour	A = Amber
VSWD-4H708-Colour	B = Blue
VSWD-6H708-Colour	R = Red
VSWD-12H708-Colour/Colour	G = Green
	W = White

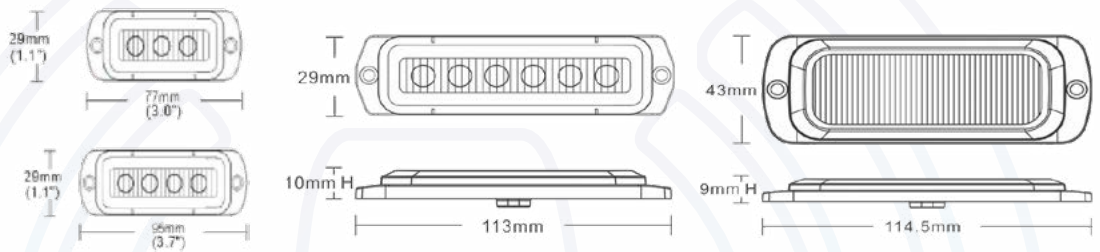
Flash Patterns	26 Patterns, 21 Dual Colour	Approvals	ECE R10 (All) ECE R65 (Amber & Blue)
Voltage	9-30v	IP Rating	IP67
LEDs	3/4/6/12 LEDs	Colours	
Mounting	Bolt	Additional Features	Sync wire
Dimensions	See above	Box Qty	50
Housing Material	Aluminium	Lens Material	Polycarbonate

VSWD-709

STROBE SERIES

R10

R65



Part Number	+ Colour
VSWD-3H709-Colour	A = Amber
VSWD-4H709-Colour	B = Blue
VSWD-6H709-Colour	R = Red
VSWD-12H709-Colour	W = White

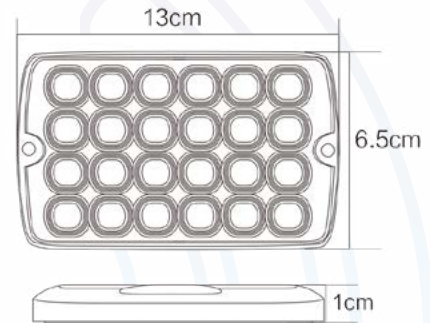
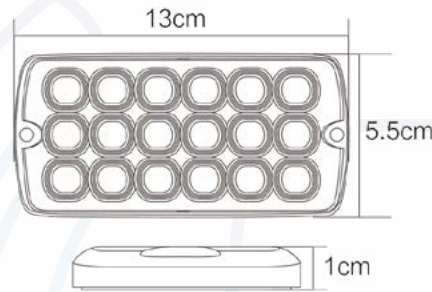
Flash Patterns	26/21 Patterns	Approvals	ECE R10 (All) ECE R65 (Amber) SAE J595 (Amber)
Voltage	9-30v	IP Rating	IP69k
LEDs	3/4/6/12 LEDs	Colours	
Mounting	Bolt	Additional Features	Sync wire
Dimensions	See above	Box Qty	50
Housing Material	Aluminium	Lens Material	Polycarbonate

VSWD-710


STROBE SERIES

R10

R65



Part Number	+ Colour
VSWD-18H710-A	18 LED 710 series Amber 12-24v R10/R65
VSWD-24H710-A	24 LED 710 series Amber 12-24v R10/R65

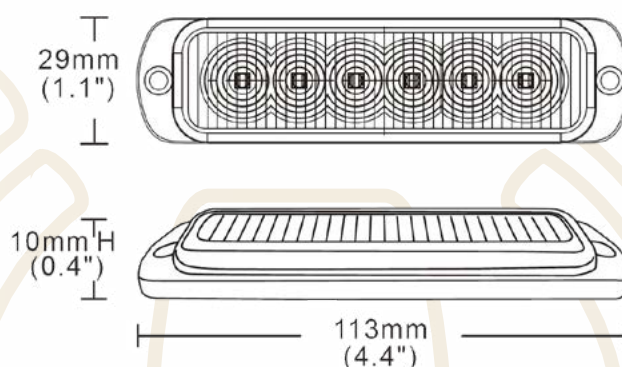
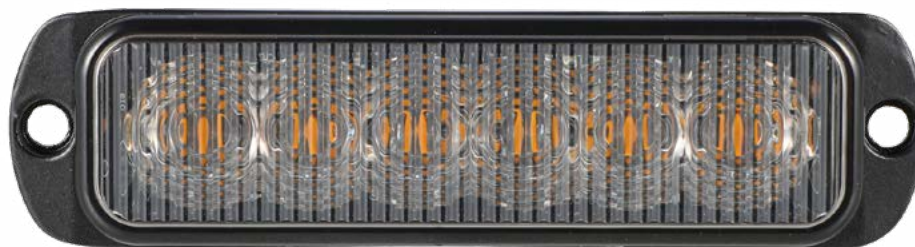
Flash Patterns	19 Patterns	Approvals	ECE R10 ECE R65 SAE 1
Voltage	12-24v	IP Rating	IP67
LEDs	See above	Colours	
Mounting	Brackets	Additional Features	
Dimensions	See above	Box Qty	100
Housing Material	Aluminium	Lens Material	Polycarbonate

VSWD-711 Smoked


STROBE SERIES

R10

R65



Part Number	Description
VSWD-6H711-AS	711 Series Strobe Amber Smoked

Flash Patterns	26 Patterns	Approvals	ECE R10 ECE R65 XA1 SAE 1
Voltage	12-24v	IP Rating	IP69K
LEDs	6 LEDs	Colours	
Mounting	Brackets	Additional Features	
Dimensions	See above	Box Qty	50
Housing Material	Aluminium	Lens Material	Polycarbonate

VSWD-6H75


STROBE SERIES

R10

R65



Part Number	Description
VSWD-6H75-A	6 LED Amber / Clear Lens 12-24v IP67
VSWD-6H75-AS	6 LED Amber / Smoked Lens 12-24v IP67
VSWD-6H75-AA	6 LED Amber / Amber Lens 12-24v IP67
VSWD-6H75-B	6 LED Blue / Clear Lens 12-24v IP67
VSWD-6H75-AR	6 LED Amber/Red / Clear Lens 12-24v IP67

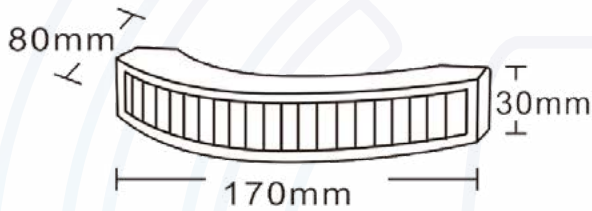
Flash Patterns	19 Patterns	Approvals	ECE R10 ECE R65
Voltage	12-24v	IP Rating	IP67 / IP69K
LEDs	6 / 12 LEDs	Colours	
Mounting	Bolt or Bracket	Additional Features	Sync wire
Dimensions	74 x 74 x 32mm	Box Qty	30
Housing Material	Aluminium	Lens Material	Polycarbonate

VSWD-C704


STROBE SERIES

R10

R65



Part Number	Description
VSWD-C704-A	12 LED Corner Strobe Amber
VSWD-C704-B	12 LED Corner Strobe Blue

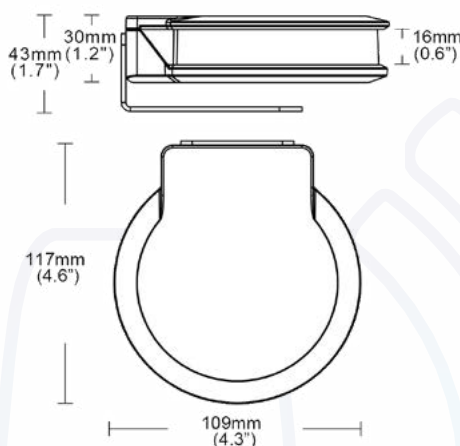
Flash Patterns	26 Patterns	Approvals	ECE R10 ECE R65
Voltage	9-30v	IP Rating	IP67
LEDs	12 LEDs	Colours	
Mounting	Bolt or Bracket	Additional Features	Sync wire
Dimensions	See above	Box Qty	30
Housing Material	Polycarbonate	Lens Material	Polycarbonate

VSWD-C722


STROBE SERIES

R10

R65



Part Number	Description
VSWD-C722-AC	40 LED Corner strobes Amber R10/R65 IP69k 12-24v
VSWD-C722-BC	40 LED Corner strobes Blue R10/R65 IP69k 12-24v

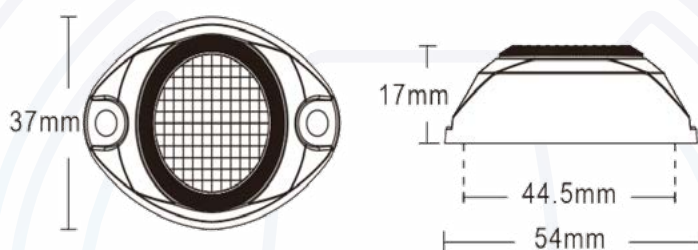
Flash Patterns	19 Patterns	Approvals	ECE R10, ECE R65
Voltage	12-24v	IP Rating	IP69K
LEDs	40 LEDs	Colours	
Mounting	Mounting bracket	Additional Features	Sync wire
Dimensions	117 x 109 x 30mm	Box Qty	30
Housing Material	Polycarbonate	Lens Material	Polycarbonate

VSWD-HL300


STROBE SERIES

R10

R65



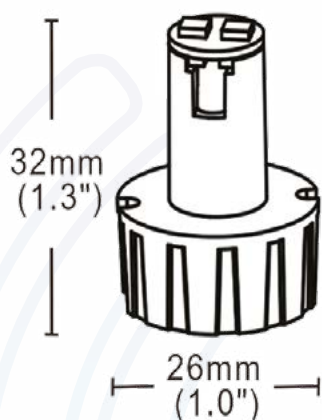
Part Number	+ Colour
VSWD-HL300-Colour	A = Amber B = Blue R = Red W = White

Flash Patterns	21 Patterns	Approvals	ECE R10 (All) ECE R65 (Amber & Blue)
Voltage	9-30v	IP Rating	IP69K
LEDs	4 LEDs	Colours	
Mounting	Screws	Additional Features	Sync wire
Dimensions	See above	Box Qty	50
Housing Material	Aluminium	Lens Material	Polycarbonate


VSWD-HL301

STROBE SERIES

R10



Part Number	+ Colour
VSWD-HL301-Colour	A = Amber B = Blue R = Red W = White

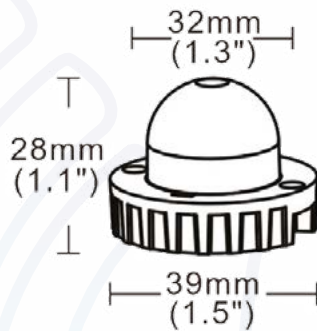
Flash Patterns	21 Patterns	Approvals	ECE R10 (All) ECE R65 (Amber)
Voltage	12-24v	IP Rating	N/A
LEDs	2 LEDs	Colours	
Mounting	Self Adhesive or Bolts	Additional Features	Sync wire
Dimensions	See above	Box Qty	50
Housing Material	Aluminium	Lens Material	N/A

VSWD-HL305

STROBE SERIES

R10

R65



Part Number	+ Colour
VSWD-HL305-Colour	A = Amber B = Blue R = Red W = White

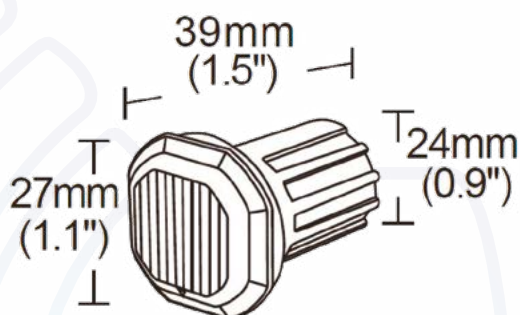
Flash Patterns	21 Patterns	Approvals	ECE R10 (All) ECE R65 (Amber)
Voltage	12-24v	IP Rating	IP67
LEDs	6 LEDs	Colours	
Mounting	Bolts with Black Cover	Additional Features	Sync wire
Dimensions	See above	Box Qty	50
Housing Material	Aluminium	Lens Material	Polycarbonate

VSWD-HIL308


STROBE SERIES

R10

R65



Part Number	+ Colour
VSWD-HIL308-Colour	A = Amber B = Blue R = Red W = White

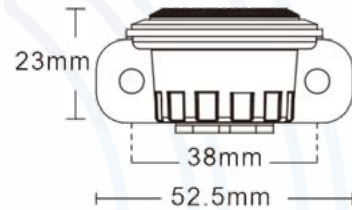
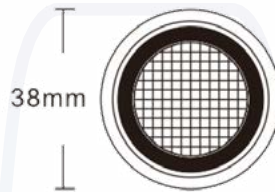
Flash Patterns	21 Patterns	Approvals	ECE R10 (All) ECE R65 (Amber)
Voltage	12-24v	IP Rating	IP67
LEDs	4 LEDs	Colours	
Mounting	Bracket	Additional Features	Sync wire
Dimensions	See above	Box Qty	50
Housing Material	Aluminium	Lens Material	Polycarbonate

VSWD-HIL310


STROBE SERIES

R10

R65



Part Number	+ Colour
VSWD-HIL310-Colour	A = Amber B = Blue R = Red W = White

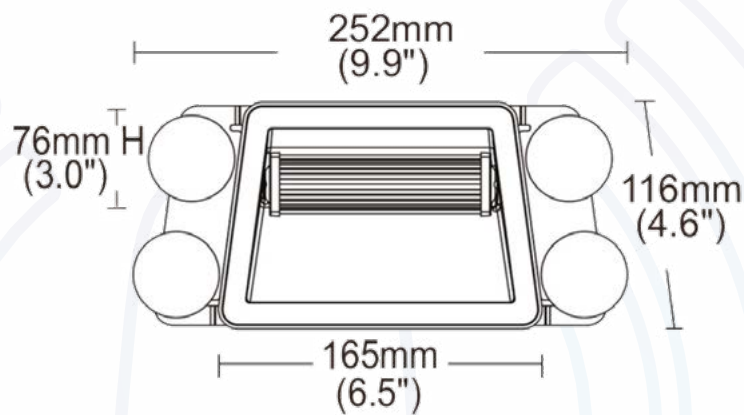
Flash Patterns	21 Patterns	Approvals	ECE R10 (All) ECE R65 (Amber & Blue)
Voltage	9-30v	IP Rating	IP69K
LEDs	4 LEDs	Colours	
Mounting	Surface or Bracket	Additional Features	Sync wire
Dimensions	See above	Box Qty	50
Housing Material	Aluminium	Lens Material	Polycarbonate

VSWD-DL18


STROBE SERIES

R10

R65



Part Number	+ Colour
VSWD-DL18R65-Colour	A = Amber
VSWD-DL18R65S-Colour/Colour	B = Blue

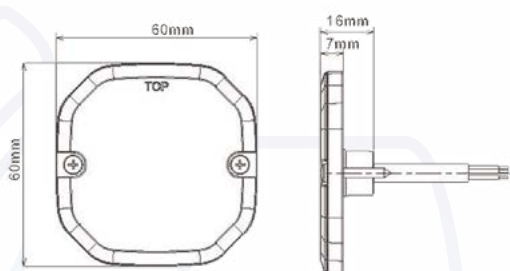
Flash Patterns	19 Patterns	Approvals	ECE R10, R65 XA2/XB2
Voltage	12-24v	IP Rating	IP67
LEDs	18 LEDs	Colours	
Mounting	Suction Cup	Additional Features	Can be synchronised
Dimensions	See above	Box Qty	
Housing Material	Polycarbonate	Lens Material	Polycarbonate

VSWD-S500

STROBE SERIES

R10

R65



Part Number	+ Colour
VSWD-S500-Colour	A = Amber
VSWD-S500-Colour/Colour (Dual Colour)	B = Blue
	R = Red
	W=White

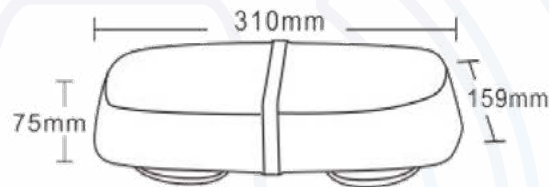
Flash Patterns	10 Patterns	Approvals	ECE R10, R65 Class 2, SAE
Voltage	10-30v	IP Rating	IP67
LEDs	5 LEDs	Colours	
Mounting	Surface mounts, bolts	Additional Features	Sync wire
Dimensions	See above	Box Qty	100
Housing Material	Aluminium	Lens Material	Polycarbonate

VSWD-112


MINI BAR SERIES

R10

R65



Part Number	Description
VSWD-112-1B-A	1 Bolt Fixing, Amber
VSWD-112-M-A	Magnetic Fixing, Amber

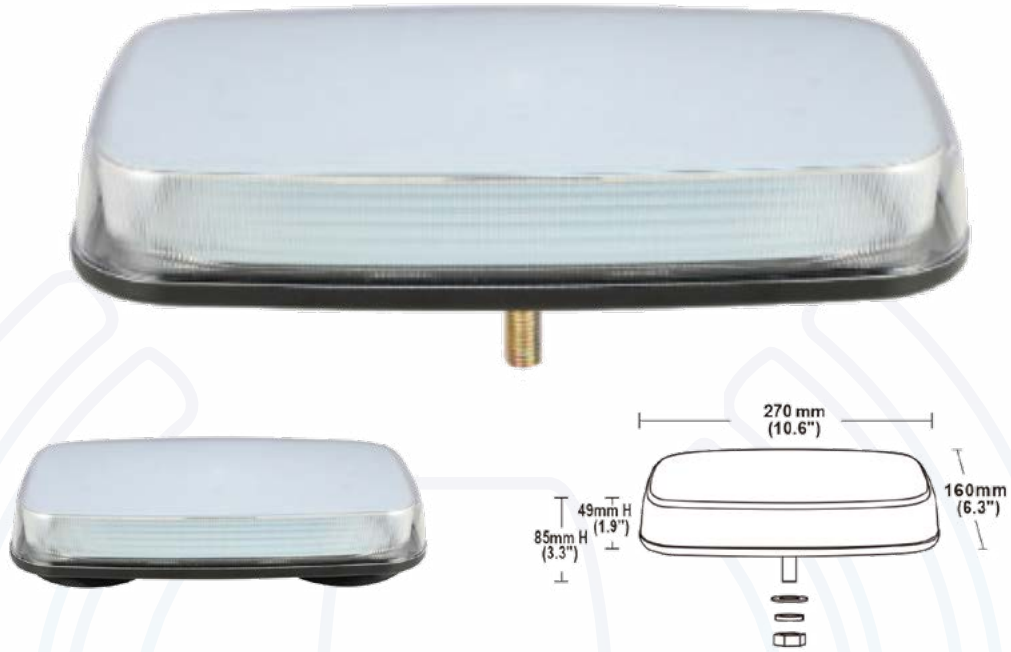
Flash Patterns	8 Patterns	Approvals	ECE R10 ECE R65
Voltage	9-30v	IP Rating	IP65
LEDs	72 LEDs	Colours	
Mounting	1 Bolt or Magnetic	Additional Features	Sync wire, Cable Loom & Switch included
Dimensions	See above	Box Qty	12
Housing Material	Polycarbonate	Lens Material	Polycarbonate

VSWD-114

MINI BAR SERIES

R10

R65



Part Number	Description
VSWD-114-1B-A	114 Mini Bar 270mm Amb Led/Clear Lens 1 bolt
VSWD-114-M-A	114 Mini Bar 270mm Amb Led/Clear Lens Magnetic

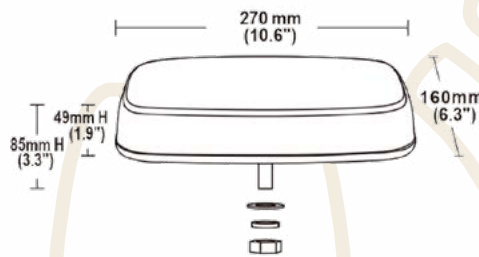
Flash Patterns	26 Patterns	Approvals	ECE R10 ECE R65 TA1 UKCA
Voltage	10-30v	IP Rating	IP67
LEDs	60 LEDs	Colours	
Mounting	See above	Additional Features	Sync wire, Cable Loom & Switch included
Dimensions	See above	Box Qty	12
Housing Material	Polycarbonate	Lens Material	Polycarbonate

VSWD-114 Smoked


MINI BAR SERIES

R10

R65



Part Number	Description
VSWD-114-1B-AS	114 Mini Bar 270mm Amb Led/Clear Lens 1 bolt 10-30v R65/R10

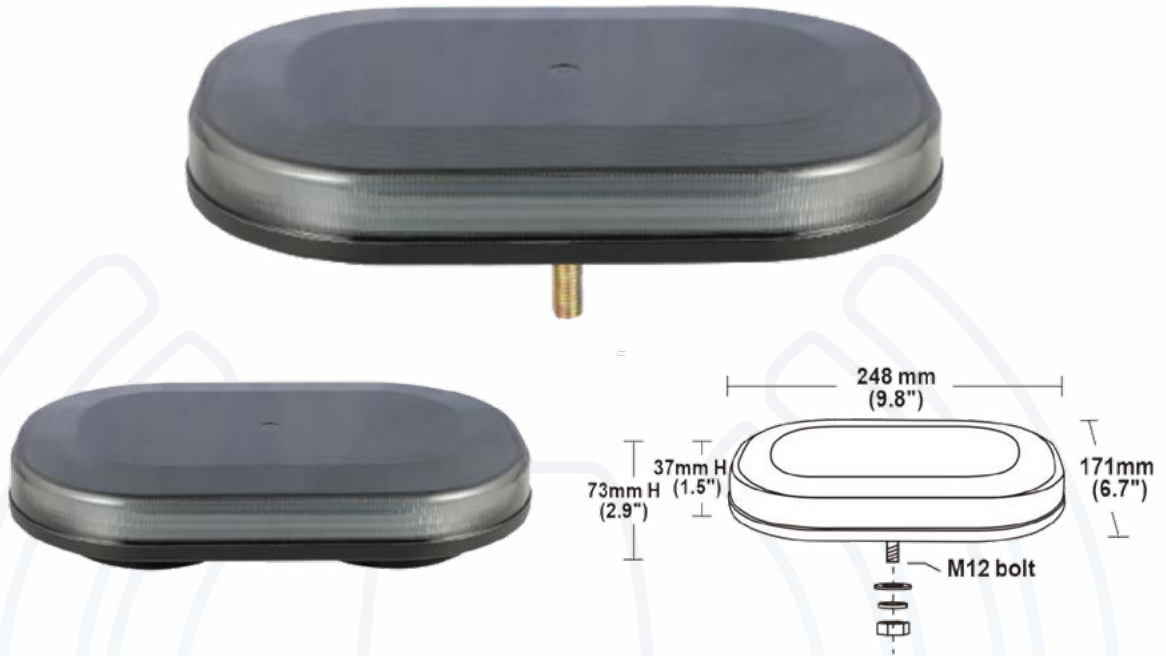
Flash Patterns	26 Patterns	Approvals	ECE R10 ECE R65 TA1 UKCA
Voltage	10-30v	IP Rating	IP67
LEDs	60 LEDs	Colours	
Mounting	See above	Additional Features	Sync wire, Cable Loom & Switch included
Dimensions	See above	Box Qty	12
Housing Material	Polycarbonate	Lens Material	Polycarbonate

VSWD-116


MINI BAR SERIES

R10

R65



Part Number	Description
VSWD-116-1B-A	116 Mini Bar 248mm Amb Led/Clear Lens 1 bolt
VSWD-116-M-A	116 Mini Bar 248mm Amb Led/Clear Lens Magnetic
VSWD-116-1B-AB	116 Mini Bar 248mm Amb/Blue Clear 1 bolt 10-30v R65/R10
VSWD-116M-AB	116 Mini Bar 248mm Amb/Blue Clear Mag 10-30v R65/R10

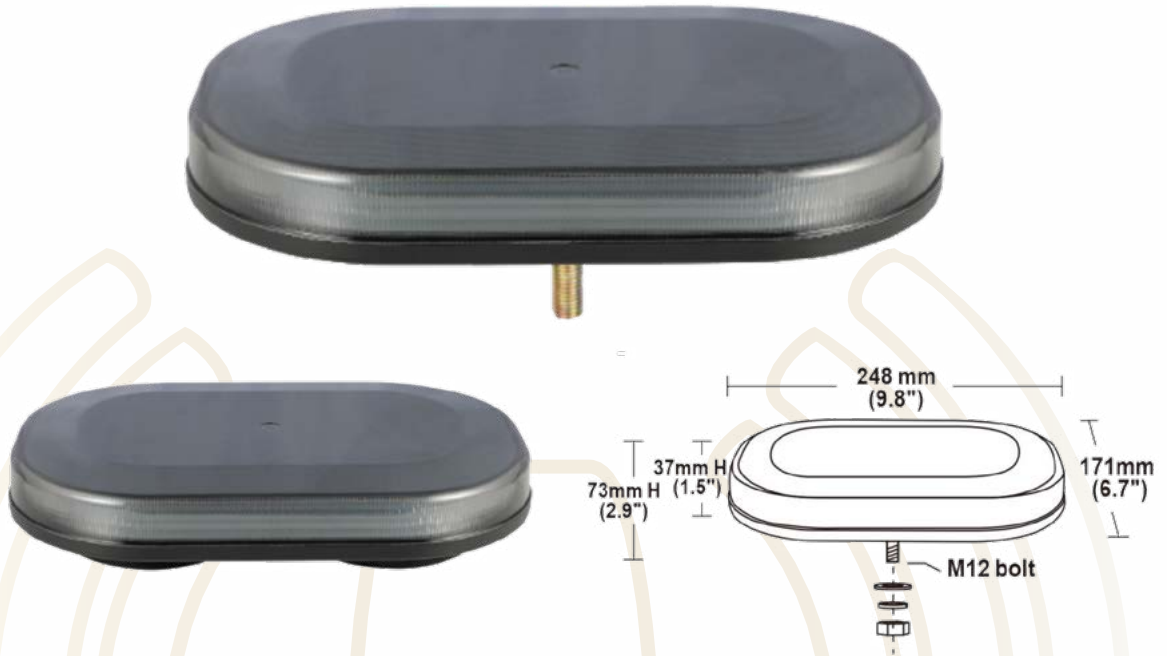
Flash Patterns	26 Patterns	Approvals	ECE R10 ECE R65/R10 TA2 UKCA TB1
Voltage	10-30v	IP Rating	IP67
LEDs	60 / 120 LEDs	Colours	
Mounting	See above	Additional Features	Sync wire, Cable Loom & Switch included. Smoked lens option available.
Dimensions	See above	Box Qty	12
Housing Material	Polycarbonate	Lens Material	Polycarbonate

VSWD-116 Smoked


MINI BAR SERIES

R10

R65



Part Number	Description
VSWD-116-1B-S	116 Mini Bar 248mm Amb Led/Smoked Lens 1 bolt
VSWD-116-M-AS	116 Mini Bar 248mm Amb Led/Clear Lens Magnetic

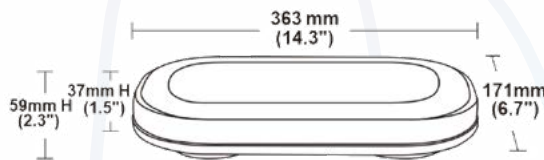
Flash Patterns	26 Patterns	Approvals	ECE R10 ECE R65/R10 TA1 UKCA TB1
Voltage	10-30v	IP Rating	IP67
LEDs	60 / 120 LEDs	Colours	
Mounting	See above	Additional Features	Sync wire, Cable Loom & Switch included.
Dimensions	See above	Box Qty	12
Housing Material	Polycarbonate	Lens Material	Polycarbonate

VSWD-117

MINI BAR SERIES

R10

R65



Part Number	Description
VSWD-117-1B-A	117 Mini Bar 363mm Amb Led/Clear Lens 1 Bolt
VSWD-117M-A	117 Mini Bar 363mm Amb Led/Clear Lens Magnetic

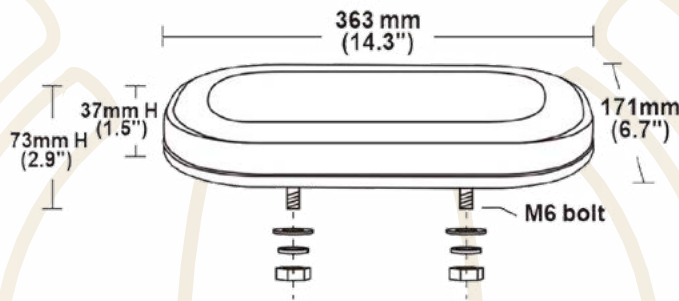
Flash Patterns	26 Patterns	Approvals	ECE R10 ECE R65 TA2 UKCA
Voltage	10-30v	IP Rating	IP67
LEDs	72 LEDs	Colours	
Mounting	See above	Additional Features	Sync wire. Smoked lens option available.
Dimensions	See above	Box Qty	12
Housing Material	Polycarbonate	Lens Material	Polycarbonate

VSWD-117 Smoked


MINI BAR SERIES

R10

R65



Part Number	Description
VSWD-117-1B-AS	117 Mini Bar 363mm 1 Bolt Amber LED/Smoked Lens

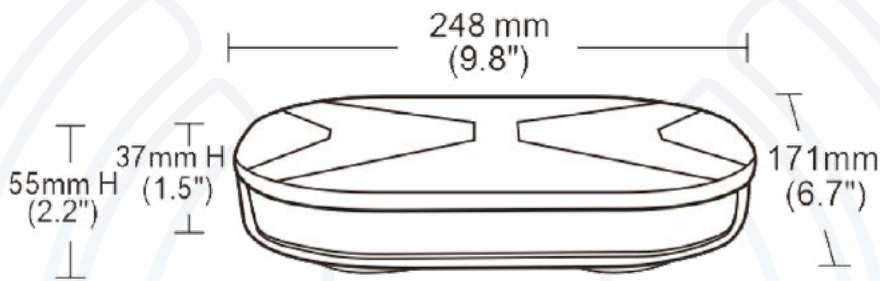
Flash Patterns	26 Patterns	Approvals	ECE R10 ECE R65 TA1 UKCA
Voltage	10-30v	IP Rating	IP67
LEDs	72 LEDs	Colours	
Mounting	See above	Additional Features	Sync wire. Smoked lens option available.
Dimensions	See above	Box Qty	12
Housing Material	Polycarbonate	Lens Material	Polycarbonate

VSWD-138


MINI BAR SERIES

R10

R65



Part Number	Description
VSWD-138-1B-A	138 Mini Bar 248mm 1 Bolt Amber
VSWD-138M-A	138 Mini Bar 248mm Magnetic Amber

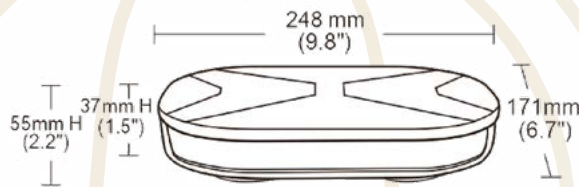
Flash Patterns	26 Patterns	Approvals	ECE R10, R65 TA2
Voltage	12-24v	IP Rating	IP67
LEDs	60 LEDs	Colours	
Mounting	1 Bolt / Mag	Additional Features	Black lid
Dimensions	See above	Box Qty	12
Housing Material	Polycarbonate	Lens Material	Polycarbonate

VSWD-138 Smoked

MINI BAR SERIES

R10

R65



Part Number	Description
VSWD-138-1B-AS	138 Mini Bar 248mm 1 Bolt Amber Smoked
VSWD-138M-AS	138 Mini Bar 248mm Magnetic Amber Smoked

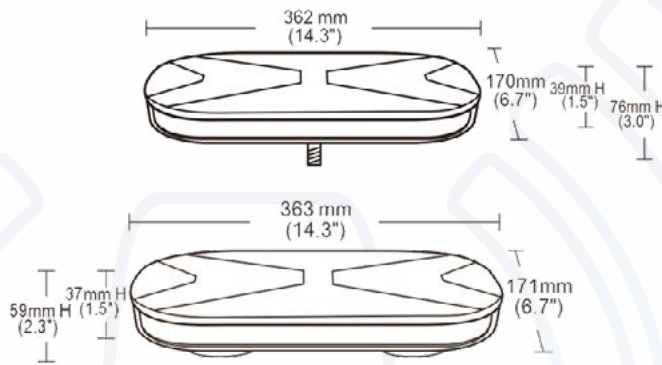
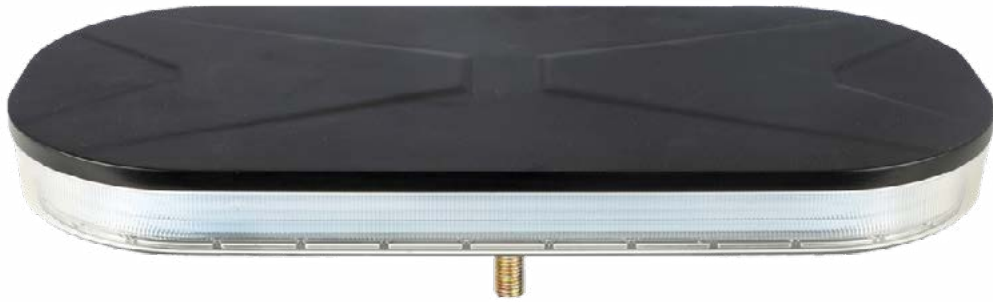
Flash Patterns	26 Patterns	Approvals	ECE R10, R65 TA1
Voltage	12-24v	IP Rating	IP67
LEDs	60 LEDs	Colours	
Mounting	1 Bolt / Mag	Additional Features	
Dimensions	See above	Box Qty	12
Housing Material	Polycarbonate	Lens Material	Polycarbonate

VSWD-139


MINI BAR SERIES

R10

R65



Part Number	Description
VSWD-139-1B-A	139 Mini Bar 363mm 1 Bolt Amber, includes mini riser bracket
VSWD-139M-A	139 Mini Bar 363mm Magnetic Amber

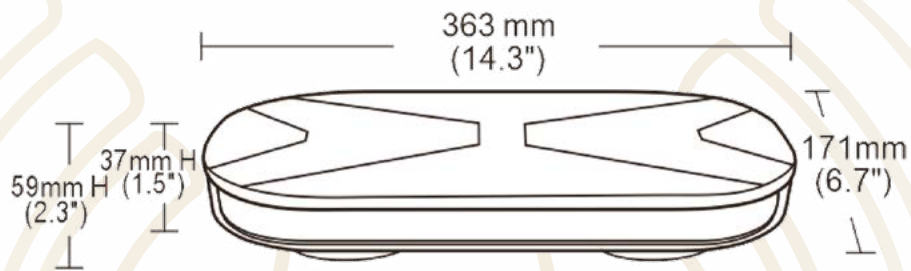
Flash Patterns	26 Patterns	Approvals	ECE R10, R65 TA2
Voltage	12-24v	IP Rating	IP67
LEDs	72 LEDs	Colours	
Mounting	1 Bolt / Mag	Additional Features	Black lid
Dimensions	See above	Box Qty	6
Housing Material	Polycarbonate	Lens Material	Polycarbonate

VSWD-139 Smoked


MINI BAR SERIES

R10

R65



Part Number	Description
VSWD-139-1B-AS	139 Mini Bar 363mm 1 Bolt Amber Smoked, includes mini riser bracket

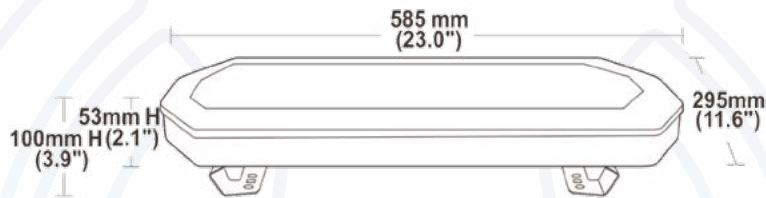
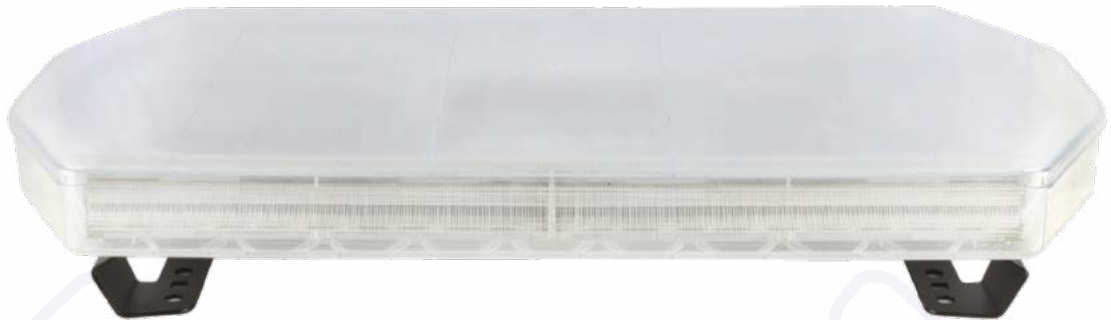
Flash Patterns	26 Patterns	Approvals	ECE R10, R65 TA1
Voltage	10-30v	IP Rating	IP67
LEDs	72 LEDs	Colours	
Mounting	1 Bolt	Additional Features	
Dimensions	See above	Box Qty	6
Housing Material	Polycarbonate	Lens Material	Polycarbonate

VSWD-156


MINI BAR SERIES

R10

R65



Part Number	Description
VSWD-156-A	VSWD-156-A 2FT Light Bar Amber 4 Bolt Fixing

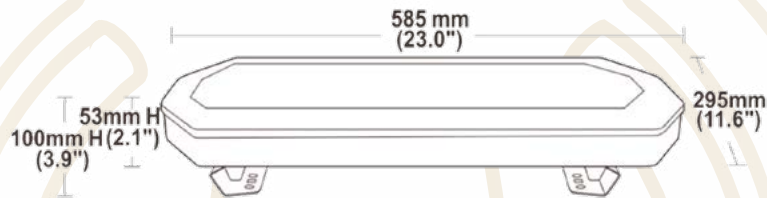
Flash Patterns	26 Patterns	Approvals	ECE R10 ECE R65
Voltage	9-30v	IP Rating	IP67
LEDs	200 LEDs	Colours	
Mounting	4 Bolt	Additional Features	
Dimensions	See above	Box Qty	3
Housing Material	Polycarbonate	Lens Material	Polycarbonate

VSWD-156 Smoked


MINI BAR SERIES

R10

R65



Part Number	Description
VSWD-156-AS	2FT Light Bar Amber Smoked 4 Bolt Fixing

Flash Patterns	26 Patterns	Approvals	ECE R10 ECE R65
Voltage	12-24v	IP Rating	IP67
LEDs	200 LEDs	Colours	
Mounting	4 Bolt	Additional Features	
Dimensions	See above	Box Qty	3
Housing Material	Polycarbonate	Lens Material	Polycarbonate

VSWD-770

LIGHTBAR SERIES

R10

R65



Part Number	Description
VSWD-771-A	770 Series 600MM Amber/Clear 108LED
VSWD-772-A	770 Series 900MM Amber/Clear 156LED
VSWD-773-A	770 Series 1200MM Amber/Clear 204LED
VSWD-775-A	770 Series 1500MM Amber/Clear 252LED

Flash Patterns	27 Patterns	Approvals	ECE R10 ECE R65 Class 1/2 Meets CAP168
Voltage	12-24v	IP Rating	IP67
LEDs	See above	Colours	
Mounting	Bracket	Additional Features	Magnet available 600mm
Dimensions	100mm wide 45mm deep	Box Qty	1
Housing Material	Polycarbonate	Lens Material	Polycarbonate

VSWD-770 Smoked


LIGHTBAR SERIES

R10

R65



Part Number	Description
VSWD-771-AS	770 Series 600MM Amber/Smoked 108LED
VSWD-771M-AS	770 Series 600MM Amber/Smoked Mag 108LED
VSWD-772-AS	770 Series 900MM Amber/Smoked 156LED
VSWD-773-AS	770 Series 1200MM Amber/Smoked 204LED
VSWD-775-AS	770 Series 1500MM Amber/Smoked 252LED

Flash Patterns	27 Patterns	Approvals	ECE R10 ECE R65 Class 1 Meets CAP168
Voltage	12-24v	IP Rating	IP67
LEDs	See above	Colours	
Mounting	Bracket	Additional Features	Magnet available 600mm
Dimensions	100mm wide 45mm deep	Box Qty	1
Housing Material	Polycarbonate	Lens Material	Polycarbonate

VSWD-780


LIGHTBAR SERIES

R10

R65



Part Number	Description
VSWD-781-A	780 Series 600mm Amber Black Lid 164 LEDs
VSWD-782-A	780 Series 900mm Amber Black Lid 224 LEDs
VSWD-783-A	780 Series 1200mm Amber Black Lid 284 LEDs
VSWD-785-A	780 Series 1500mm Amber Black Lid 344 LEDs
VSWD-786-A	780 Series 1800mm Amber Black Lid 404 LEDs

Flash Patterns	27 Patterns	Approvals	ECE R10, R65 TA2 Meets CAP168
Voltage	12-24v	IP Rating	IP67
LEDs	See above	Colours	
Mounting	Bracket Mount	Additional Features	Built in traffic director
Dimensions	215mmWide 44mm Deep	Box Qty	Various
Housing Material	Polycarbonate	Lens Material	Polycarbonate

VSWD-790


LIGHTBAR SERIES

R10

R65



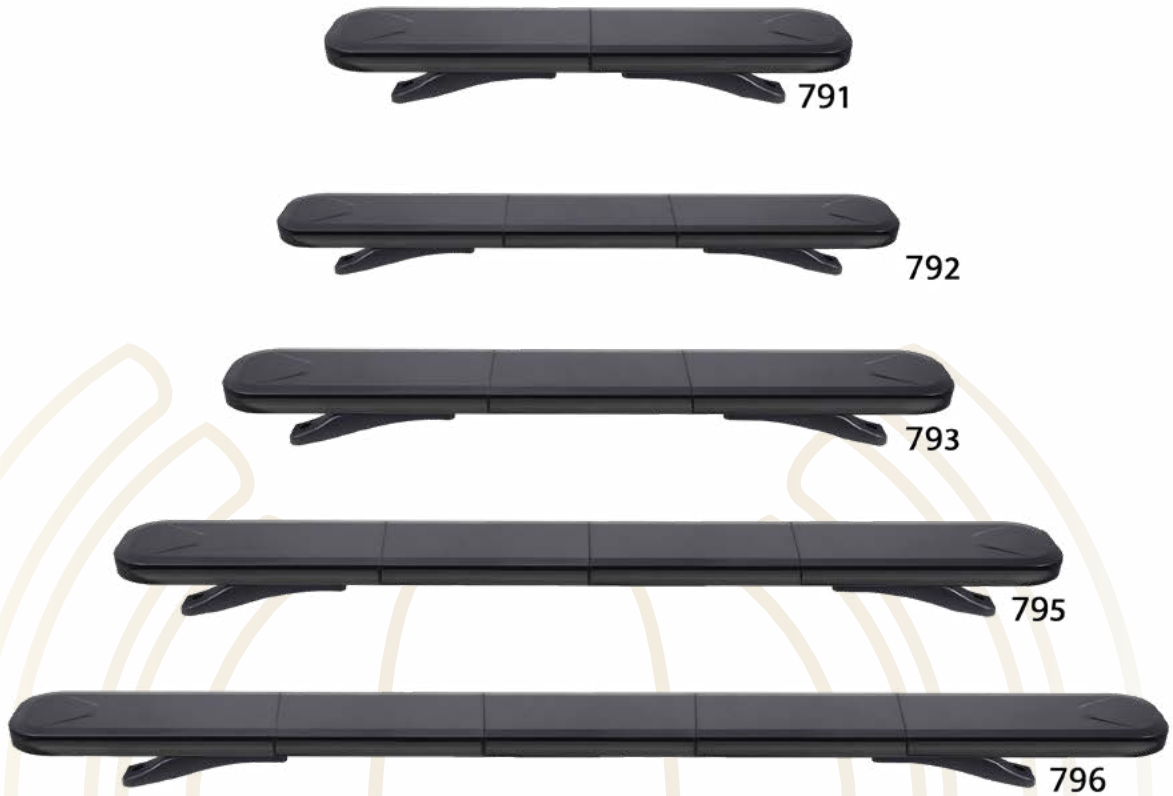
Part Number	Description
VSWD-791-A	790 Series 560mm All Amber 120 LED
VSWD-792-A	790 Series 880mm All Amber 180 LED
VSWD-793-A	790 Series 1200mm All Amber 240 LED
VSWD-793-A-STT	790 Series 1200MM STT Bar 308 LED R148
VSWD-795-A	790 Series 1520mm All Amber 300 LED
VSWD-795-A-STT	790 Series 1520mm STT Bar 368 LED R148
VSWD-796-A	790 Series 1840mm All Amber 360 LED
VSWD-797-A	790 Series 2160mm All Amber 420 LED

Flash Patterns	26/28 Patterns	Approvals	ECE R10 (All), ECE R65 TA2 (Amber), TB2 (Blue)
Voltage	10-30v	IP Rating	IP66
LEDs	See above	Colours	
Mounting	Brackets	Additional Features	Blue/Dual Colour/STT available on request
Dimensions	Above x 200 x 44mm	Box Qty	1-2
Housing Material	Aluminium	Lens Material	Polycarbonate

VSWD-790 Smoked LIGHTBAR SERIES

R10

R65



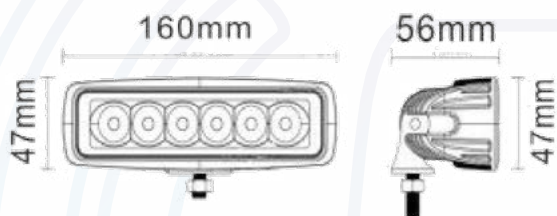
Part Number	Description
VSWD-791-AS	790 Series 560mm Amber Smoked 132 LED
VSWD-792-AS	790 Series 880mm Amber Smoked 192 LED
VSWD-793-AS	790 Series 1200mm Amber Smoked 252 LED
VSWD-795-AS	790 Series 1520mm Amber Smoked 312 LED
VSWD-796-AS	790 Series 1840mm Amber Smoked 372 LED

Flash Patterns	26/28 Patterns	Approvals	ECE R10 (All), ECE R65 TA1
Voltage	10-30v	IP Rating	IP66
LEDs	See above	Colours	
Mounting	Brackets	Additional Features	
Dimensions	Above x 200 x 44mm	Box Qty	1-2
Housing Material	Aluminium	Lens Material	Polycarbonate

VSWD-WL601

WORKLAMPS

R10

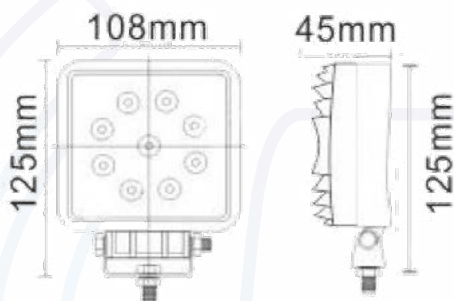


Part Number		Description	
VSWD-WL601-S		18W Rect Lamp - Spot Beam	
Lumens	1260	Approvals	ECE R10 UKCA
Voltage	12-80v	IP Rating	IP67
LEDs	6 LEDs	Beam Pattern	Spot
Mounting	Bracket	Additional Features	
Dimensions	See above	Box Qty	30
Housing Material	Aluminium	Lens Material	Polycarbonate

VSWD-WL602

WORKLAMPS

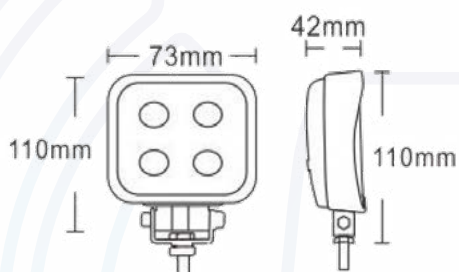
R10



Part Number		Description	
VSWD-WL602-F		27w Square Lamp - Flood Beam	
Lumens	1400	Approvals	ECE R10 UKCA
Voltage	12-80v	IP Rating	IP67
LEDs	9 LEDs	Beam Pattern	Flood
Mounting	Bracket	Additional Features	
Dimensions	See above	Box Qty	30
Housing Material	Aluminium	Lens Material	PMMA

VSWD-WL604

WORKLAMPS



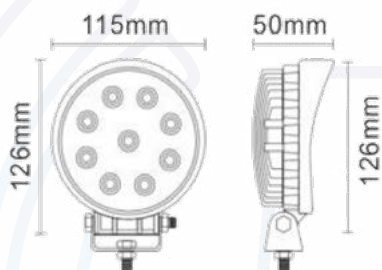
Part Number	Description
VSWD-WL604-S	12w Square Lamp - Spot Beam

Lumens	1080	Approvals	ECE R10 UKCA
Voltage	12-80v	IP Rating	IP67
LEDs	4 LEDs	Beam Pattern	Spot
Mounting	Bracket	Additional Features	
Dimensions	See above	Box Qty	50
Housing Material	Aluminium	Lens Material	PMMA

VSWD-WL605

WORKLAMPS

R10



Part Number		Description	
VSWD-WL605-F		27w Round Lamp - Flood Beam	
Lumens	1400	Approvals	ECE R10 UKCA
Voltage	12-80v	IP Rating	IP67
LEDs	9 LEDs	Beam Pattern	Flood
Mounting	Bracket	Additional Features	
Dimensions	See above	Box Qty	30
Housing Material	Aluminium	Lens Material	PMMA

VSWD-WL606

WORKLAMPS

R10



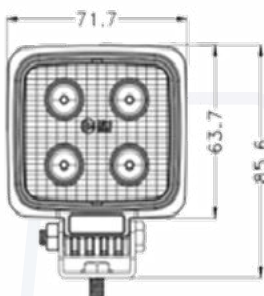
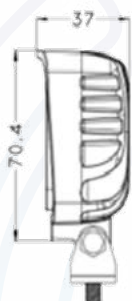
Part Number	Description
VSWD-WL606-F	27w Round Lamp - Flood Beam with handle, mag base and plug

Lumens	1400	Approvals	ECE R10 UKCA
Voltage	10-80v	IP Rating	IP67
LEDs	9 LEDs	Beam Pattern	Flood
Mounting	Bracket	Additional Features	Handle, Mag Base, Cigarette Plug
Dimensions	See above	Box Qty	20
Housing Material	Aluminium	Lens Material	PMMA

VSWD-WL610

WORKLAMPS

R10



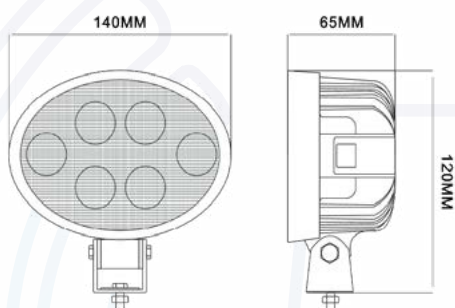
Part Number	Description
VSWD-WL610-F-AMP	12w Square Lamp R23 Amp - Flood Beam with amp connector

Lumens	820	Approvals	ECE R10 R23
Voltage	9-32v	IP Rating	IP68
LEDs	4 LEDs	Beam Pattern	Flood
Mounting	Bracket	Additional Features	AMP Connector
Dimensions	See above	Box Qty	40
Housing Material	Aluminium	Lens Material	Polycarbonate

VSWD-WL611

WORKLAMPS

R10



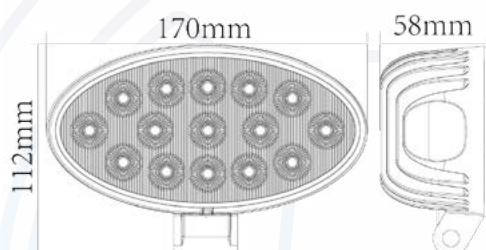
Part Number	Description
VSWD-WL611-F	30w Oval Lamp - Flood Beam
VSWD-WL611-S-B	30w Oval Lamp - Spot Beam Blue

Lumens	White 2500 Blue 1000	Approvals	ECE R10
Voltage	10-30v	IP Rating	IP67
LEDs	6 LEDs	Beam Pattern	White - Flood Blue Spot
Mounting	Bracket	Additional Features	AMP Connector
Dimensions	120 x 140 x 65mm	Box Qty	20
Housing Material	Aluminium	Lens Material	Polycarbonate

VSWD-WL614

WORKLAMPS

R10

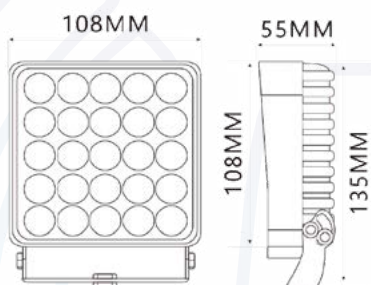


Part Number	Description
VSWD-WL614-F	75w Oval Lamp - Flood Beam

Lumens	5250	Approvals	ECE R10
Voltage	10-36v	IP Rating	IP67
LEDs	15 LEDs	Beam Pattern	Flood
Mounting	Bracket	Additional Features	
Dimensions	See above	Box Qty	20
Housing Material	Aluminium	Lens Material	Polycarbonate

VSWD-WL615

WORKLAMPS



Part Number	Description
VSWD-WL615-F	75w Square Lamp - Flood Beam

Lumens	5625LM	Approvals	ECE R10 UKCA
Voltage	10-36v	IP Rating	IP67
LEDs	25 LEDs	Beam Pattern	Flood
Mounting	Bolt & Bracket	Additional Features	
Dimensions	108 x 108 x 55mm	Box Qty	30
Housing Material	Aluminium	Lens Material	Polycarbonate

VSWD-WL616-F

WORKLAMPS

R10



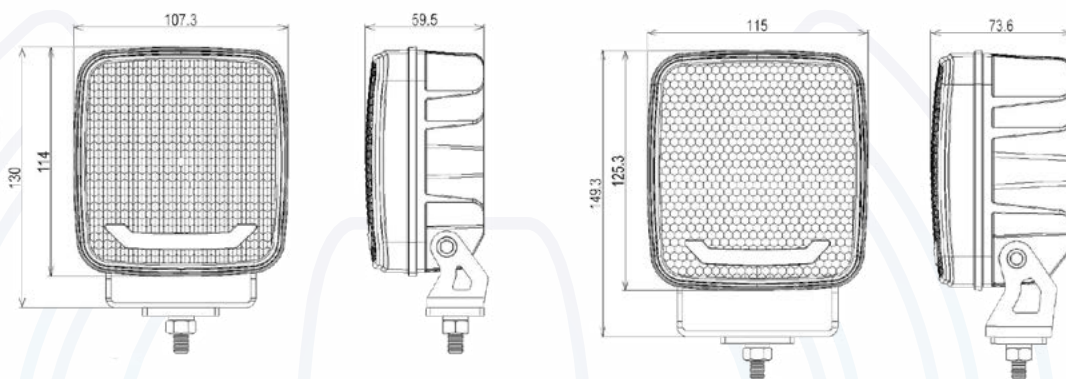
Part Number	Description
VSWD-WL616-F	Dual Position Lamp 6000 LM with Position 10-48v

Lumens	6000LM	Approvals	ECE R10/R148/R149
Voltage	10-48v	IP Rating	IP67
LEDs	6 LEDs	Beam Pattern	Drive Light
Mounting	Bolt & Bracket	Additional Features	Position Light
Dimensions	139mm x 144mm x 67mm	Box Qty	20
Housing Material	Aluminium	Lens Material	Polycarbonate

VSWD-WL617

WORKLAMPS

R10



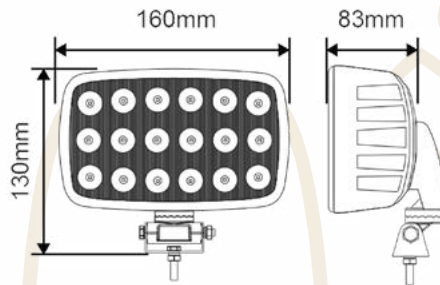
Part Number	Description
VSWD-WL617-45-F	45W Lamp with position light 4000LM
VSWD-WL617-80-F	80W Lamp with position light 7000LM

Lumens	4000 LM / 7000 LM	Approvals	ECE R10, R148
Voltage	9-36v	IP Rating	IP69K
LEDs	9 LEDs / 16 LEDs	Beam Pattern	Flood
Mounting	Bracket Mount	Additional Features	Position Light
Dimensions	See above	Box Qty	20
Housing Material	Aluminium	Lens Material	Polycarbonate

VSWD-WL618

WORKLAMPS

R10



Part Number	Description
VSWD-WL618-F-DP	90W DUAL POS LAMP FLOOD BEAM 6000LM 10-32V IP67 R10

Lumens	6000LM	Approvals	ECE R10
Voltage	10-32v	IP Rating	IP67
LEDs	18 x 5w	Beam Pattern	Flood
Mounting	Bracket Mount	Additional Features	Dual position
Dimensions	See above	Box Qty	20
Housing Material	Aluminium	Lens Material	Polycarbonate

VSWD-WL619

WORKLAMPS

R10



Part Number	Description
VSWD-WL619-F	40W Mini SQU Lamp with flood beam

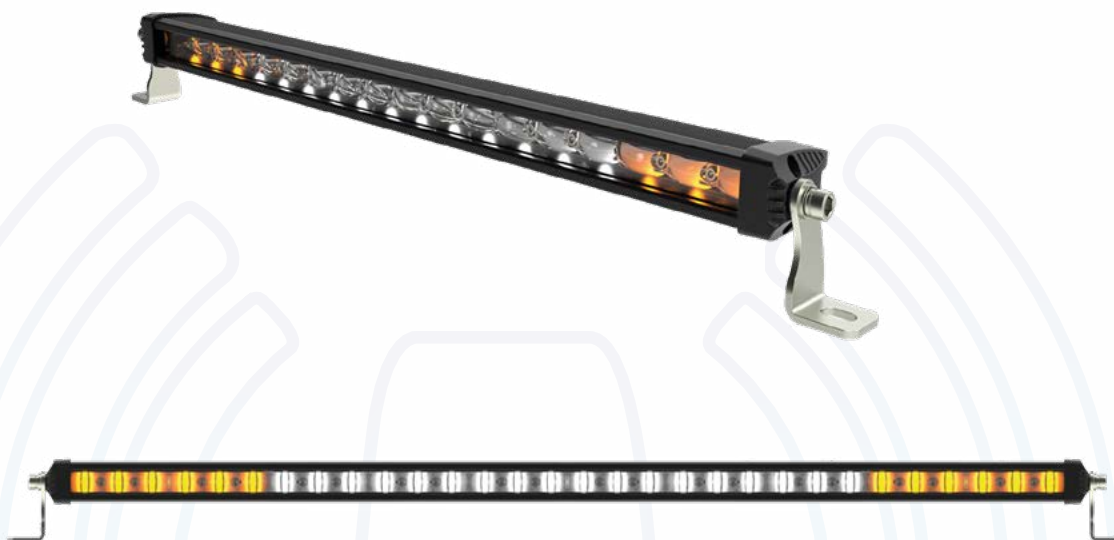
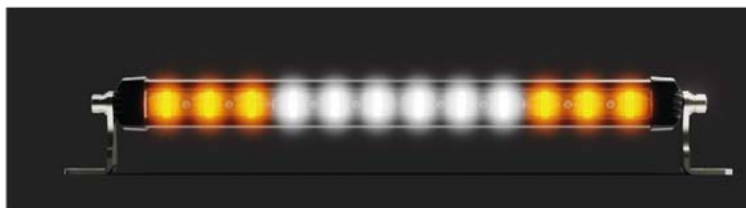
Lumens	2160 LM	Approvals	ECE R10
Voltage	10-80v	IP Rating	IP67
LEDs	4 LEDS	Beam Pattern	Flood
Mounting	Bolt & Bracket Mount	Additional Features	
Dimensions	76mm x 95mm x 68mm	Box Qty	20
Housing Material	Aluminium	Lens Material	Polycarbonate

VSWD-WL620

WORKLAMPS

R10

R65



Part Number	Description
VSWD-WL620-A-60	Utility Bar, 10-30v, 48W, white light amber flash
VSWD-WL620-A-90	Utility Bar, 10-30v, 78W, white light amber flash
VSWD-WL620-A-150	Utility Bar, 10-30v, 126W, white light amber flash

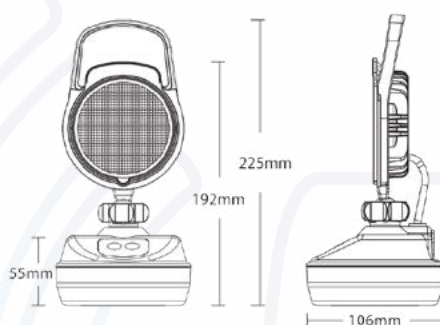
Lumens	800 / 1800 / 2500	Approvals	ECE R10 ECE R68
Voltage	10-30v	IP Rating	IP67
LEDs	12 / 18 / 30 LEDs	Beam Pattern	Flood
Mounting	Bracket	Additional Features	White light with amber flash. 19 flash patterns
Dimensions	361 x 50 x 56mm 510 x 50 x 56mm 804 x 50 x 56mm	Box Qty	15 / 12 / 9
Housing Material	Aluminium	Lens Material	Polycarbonate

VSWD-WL626

WORKLAMPS

3 Modes:

- 100% Intensity - White
- 50% Intensity - White
- SOS Flash
- Quad Flash

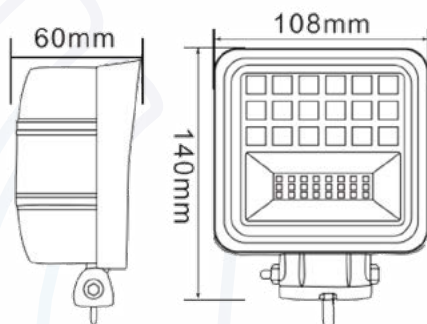


Part Number	Description
VSWD-WL626-S	Utility Lamp, 9 LED Rechargeable, 4 Modes

Lumens	305	Approvals	CE, UKCA
Voltage	10-30v	IP Rating	IP65
LEDs	9 LEDs	Beam Pattern	Flood
Mounting	Magnetic	Additional Features	4 Modes, Handle, Mag Base, Rechargeable Battery, Reverse Charge Function
Dimensions	See above	Box Qty	20
Housing Material	Aluminium	Lens Material	Polycarbonate

VSWD-WL634

WORKLAMPS



Part Number	Description
VSWD-WL634-C	48w Square Lamp Combi Beam

Lumens	3500	Approvals	ECE R10
Voltage	10-30v	IP Rating	IP67
LEDs	42 LEDs	Beam Pattern	Combi
Mounting	Bracket	Additional Features	
Dimensions	See above	Box Qty	20
Housing Material	Aluminium	Lens Material	Polycarbonate

VSWD-WL635

WORKLAMPS

R10



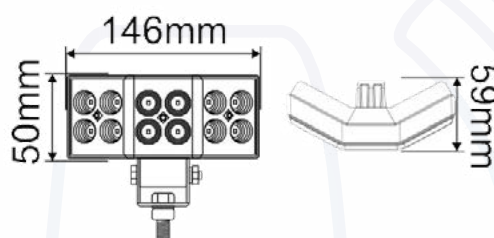
Part Number	Description
VSWD-WL635-WA	54w Angle Lamp Flood Beam

Lumens	4000	Approvals	ECE R10
Voltage	10-36v	IP Rating	IP67
LEDs	18 LEDs	Beam Pattern	Flood
Mounting	Bracket	Additional Features	240° Wide Angle
Dimensions	See above	Box Qty	20
Housing Material	Aluminium	Lens Material	Polycarbonate

VSWD-WL636

WORKLAMPS

R10



Part Number		Description	
VSWD-WL636-MWA		36W Mini wide angle lamp - flood beam 10-80V IP67 12 LEDS R10	
Lumens	2800LM	Approvals	ECE R10
Voltage	10-80v	IP Rating	IP67
LEDs	12 LEDs	Beam Pattern	Flood
Mounting	Bolt & Bracket	Additional Features	
Dimensions	146mm x 50mm x 59mm	Box Qty	20
Housing Material	Aluminium	Lens Material	Polycarbonate

VSWD-WL621W

BAR LIGHT



Part Number	Description
VSWD-WL621W	White bar light 90w Combi Beam

Lumens	3000LM	Approvals	ECE R10 UKCA
Voltage	10-30v	IP Rating	IP67
LEDs	18 LEDs	Beam Pattern	Combi
Mounting	Bracket Mount	Additional Features	
Dimensions	510 x 50 x 56mm	Box Qty	20
Housing Material	Aluminium	Lens Material	Polycarbonate

VSWD-WL6100 SERIES

WORKLAMPS

R10



Part Number	Description
VSWD-WL6100-F-36W	36W 12LED 2600LM SQU 9-32V IP68
VSWD-WL6100-F-48W	48W 16LED 3500LM SQU 9-32V IP68
VSWD-WL6100-F-75W	75W 25LED 5500LM SQU 9-32V IP68
VSWD-WL6100-R23-18W	R23 18W 12LED 1620LM SQU 9-32V IP68

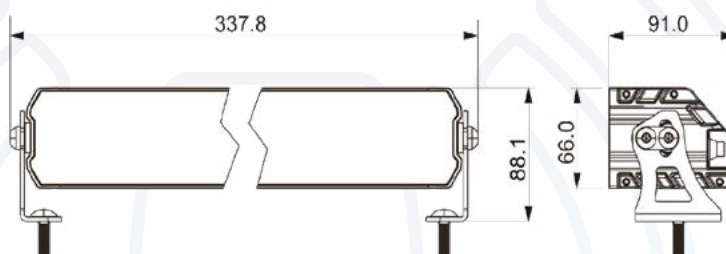
Lumens	See above	Approvals	ECE R10, R23 (1)
Voltage	9-32v	IP Rating	IP69K
LEDs	See above	Beam Pattern	Flood
Mounting	Bracket Mount	Additional Features	Internal temp control (3)
Dimensions	See above	Box Qty	40 / 20
Housing Material	Aluminium	Lens Material	Polycarbonate

VSWD-DL4800

DRIVE LIGHT

R10

R65



Part Number		Description	
VSWD-DL4800-10		Drive Light 338mm +WL/PL R10/R65/R112/R7	
Function	Drive Light, Warning Light, Position Light	Approvals	ECE R10, R65, R148, R149
Voltage	10-30v	IP Rating	IP67 / IP69k
Mounting	Bracket Mount	Colour Temp	6000-6500k
Dimensions	338 x 88 x 91mm	Box Qty	9
Housing Material	Aluminium	Lens Material	Polycarbonate

VSWD-FLT620

WORKLAMPS

R10



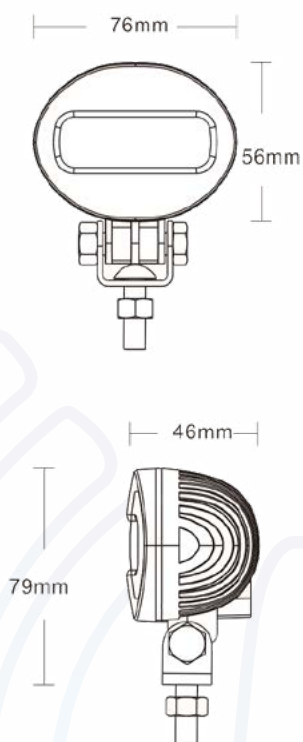
Part Number	Description
VSWD-FLT620-B	FLT Arrow Lamp Blue R10 9-80v
VSWD-FLT620-R	FLT Arrow Lamp Red R10 9-80v

Lumens	250	Approvals	ECE R10 UKCA
Voltage	10-80v	IP Rating	IP67
LEDs	3 LEDs	Beam Pattern	Arrow Safety Light
Mounting	Bracket	Additional Features	
Dimensions	See above	Box Qty	30
Housing Material	Aluminium	Lens Material	Polycarbonate

VSWD-FLT621

WORKLAMPS

R10



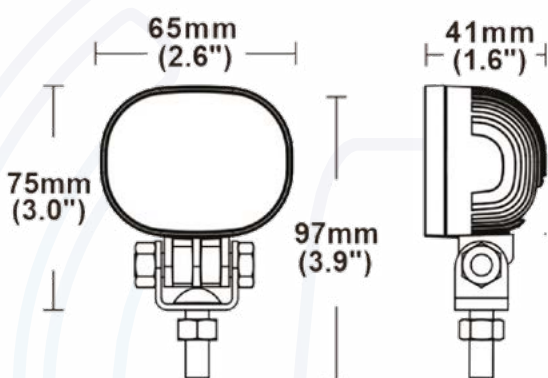
Part Number	Description
VSWD-FLT621-B	FLT Safety Line Lamp Blue R10 9-80v
VSWD-FLT621-R	FLT Safety Line Lamp Red R10 9-80v

Lumens	200	Approvals	ECE R10 UKCA
Voltage	10-80v	IP Rating	IP67
LEDs	2 LEDs	Beam Pattern	Safety Line Light
Mounting	Bracket	Additional Features	
Dimensions	See above	Box Qty	30
Housing Material	Aluminium	Lens Material	Polycarbonate

VSWD-FLT622

WORKLAMPS

R10



Part Number	Description
VSWD-FLT622-B	FLT Arc Light Red R10 9-80v
VSWD-FLT622-R	FLT Arc Light Blue R10 9-80v

Lumens	47 LM	Approvals	ECE R10 UKCA
Voltage	9-80v	IP Rating	IP67
LEDs	1 LED	Beam Pattern	Arc Safety Line
Mounting	Bracket	Additional Features	
Dimensions	See above	Box Qty	30
Housing Material	Aluminium	Lens Material	Polycarbonate

VSWD-FLT630

WORKLAMPS

R10



Part Number	Description
VSWD-FLT630-RB	FLT Safety Line Lamp Red/Blue R10 10-80v 6*3W LEDs

Lumens	420	Approvals	ECE R10
Voltage	10-80v	IP Rating	IP67
LEDs	6 x 3w	Beam Pattern	Safety Line Light
Mounting	Bracket	Additional Features	Dual Colour: red/blue
Dimensions	See above	Box Qty	20
Housing Material	Aluminium	Lens Material	Polycarbonate

VSWD-INT130

INTERIOR LIGHT

R10



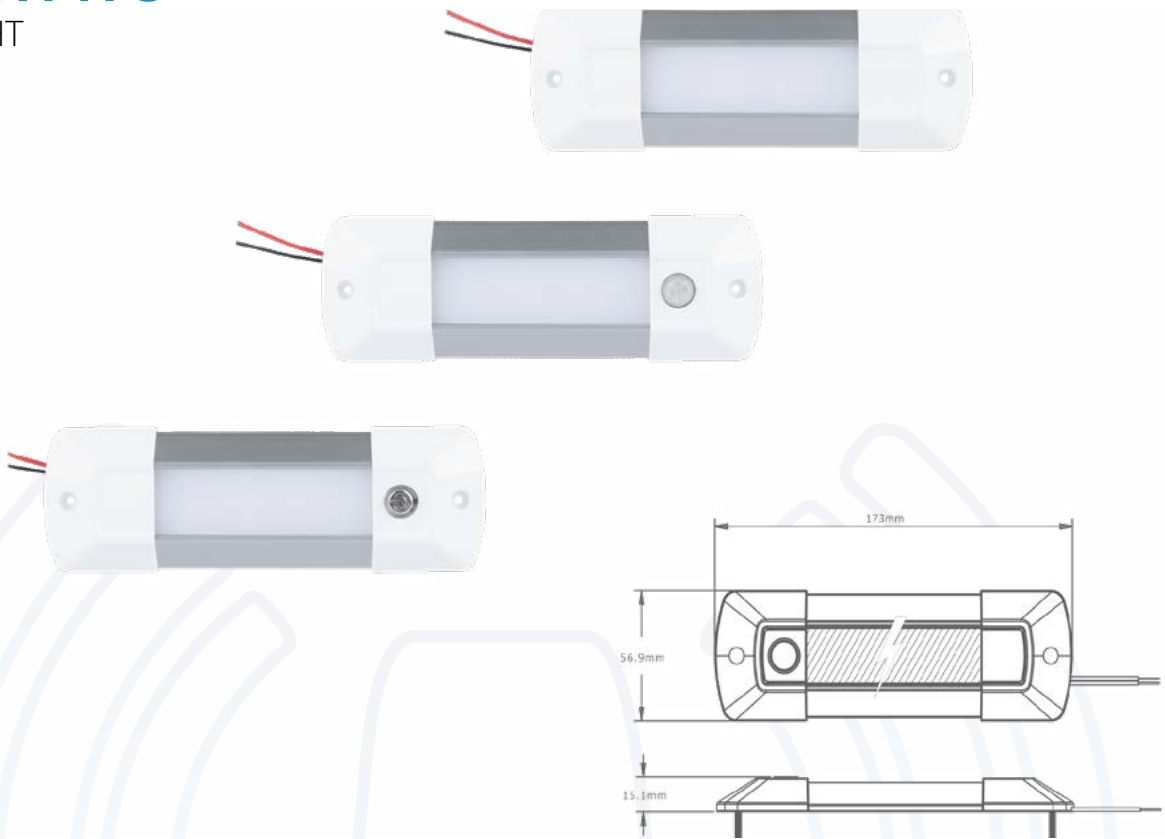
Part Number	Description
VSWD-INT130	Interior Light Round White 85 LED
VSWD-INT130-03	Interior Light Round White 85 LED PIR

Lumens	1200	Approvals	ECE R10
Voltage	10-30v	IP Rating	IP65
LEDs	85 LEDs	Colour Temp	5700K - 6500K
Mounting	Surface	Additional Features	Wires only, Touch Switch, PIR
Dimensions	See above	Box Qty	80
Housing Material	Aluminium	Lens Material	Polycarbonate

VSWD-INT173

INTERIOR LIGHT

R10



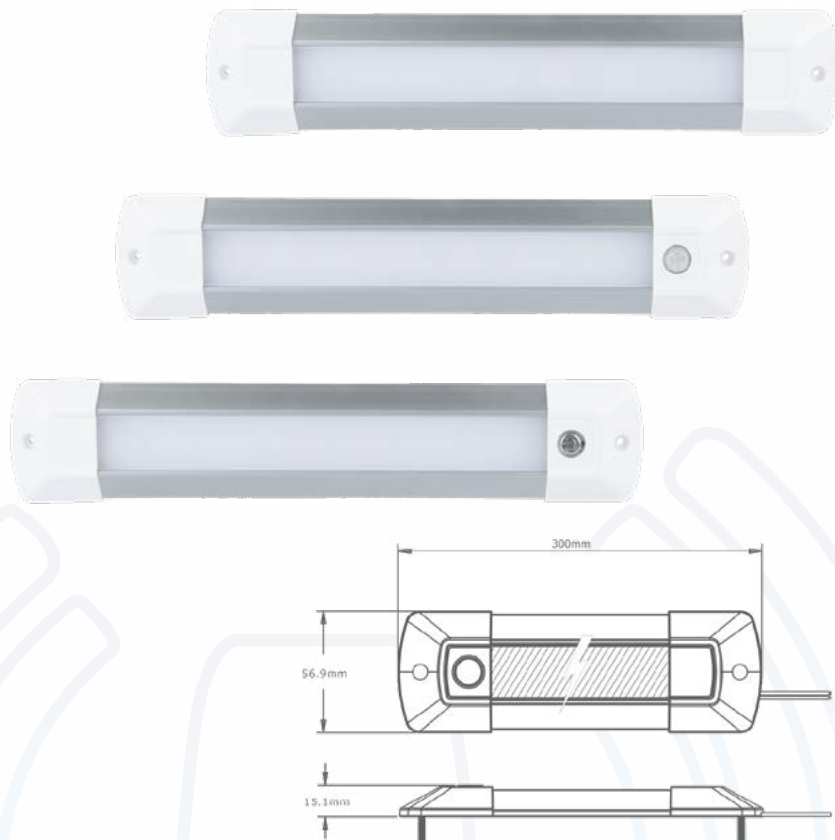
Part Number	Description
VSWD-INT173	Interior Light 173mm 22 LED
VSWD-INT173-02	Interior Light 173mm 22 LED with Switch
VSWD-INT173-03	Interior Light 173mm 22 LED with PIR

Lumens	308	Approvals	ECE R10
Voltage	10-30v	IP Rating	IP67
LEDs	22 LEDs	Colour Temp	5700K - 6500K
Mounting	Surface	Additional Features	Wires Only, Touch Switch with Dimming Function, PIR
Dimensions	173 x 57 x 15mm	Box Qty	40
Housing Material	Aluminium	Lens Material	Polycarbonate

VSWD-INT300

INTERIOR LIGHT

R10



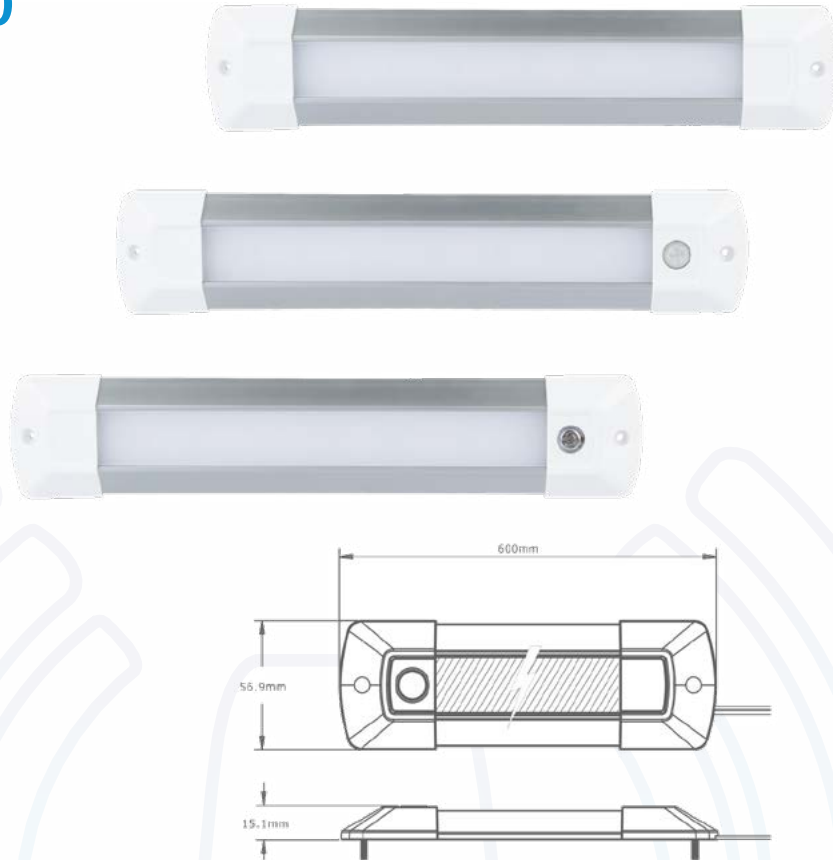
Part Number	Description
VSWD-INT300	Interior Light 300mm 54 LED
VSWD-INT300-02	Interior Light 300mm 54 LED with Switch
VSWD-INT300-03	Interior Light 300mm 54 LED with PIR

Lumens	756	Approvals	ECE R10
Voltage	10-30v	IP Rating	IP67
LEDs	54 LEDs	Colour Temp	5700K - 6500K
Mounting	Surface	Additional Features	Wires Only, Touch Switch with Dimming Function, PIR
Dimensions	300 x 57 x 15mm	Box Qty	40
Housing Material	Aluminium	Lens Material	Polycarbonate

VSWD-INT600

INTERIOR LIGHT

R10



Part Number	Description
VSWD-INT600	Interior Light 600mm 130 LED
VSWD-INT600-02	Interior Light 600mm 130 LED with Switch
VSWD-INT600-03	Interior Light 600mm 130 LED with PIR

Lumens	1820	Approvals	ECE R10
Voltage	10-30v	IP Rating	IP67
LEDs	130 LEDs	Colour Temp	5700K - 6500K
Mounting	Surface	Additional Features	Wires Only, Touch Switch with Dimming Function, PIR
Dimensions	600 x 57 x 15mm	Box Qty	20
Housing Material	Aluminium	Lens Material	Polycarbonate

VSWD-INT310/ 510 / 1000

INTERIOR LIGHT



Part Number	Description
VSWD-INT310-DV	Interior Light 300mm 18 LEDs
VSWD-INT510-DV	Interior Light 522mm 30 LEDs
VSWD-INT1000-DV	Interior Light 1000mm 60 LEDs

Lumens	360 / 600 / 1000	Approvals	
Voltage	10-30v	IP Rating	IP67
LEDs	18 / 30 / 60 LEDs	Colour Temp	6000K
Mounting	Surface	Additional Features	
Dimensions	330mm / 520mm / 1030mm	Box Qty	100 / 250
Housing Material	Aluminium	Lens Material	Silicone Seal

VSWD-PIR Series

INTERIOR LIGHT



Part Number	Description
VSWD-PIR300-12V	PIR INT LIGHT 300MM 400LM 6000K 12V
VSWD-PIR500-12V	PIR INT LIGHT 500MM 800LM 6000K 12V
VSWD-PIR1000-12V	PIR INT LIGHT 1000MM 1600LM 6000K 12V
VSWD-PIR1000-24V	PIR INT LIGHT 1000MM 1600LM 6000K 24V

Lumens	400/800/1600 LM	Approvals	
Voltage	12v or 24v	IP Rating	IP65
LEDs	30/54/114 LEDs	Colour Temp	6000K
Mounting	2 x Mounting Clip	Additional Features	
Dimensions	300/500/1000 mm	Box Qty	NA
Housing Material	Aluminium	Lens Material	Frosted Diffuser

VSWD-SW Series

INTERIOR LIGHT

R10



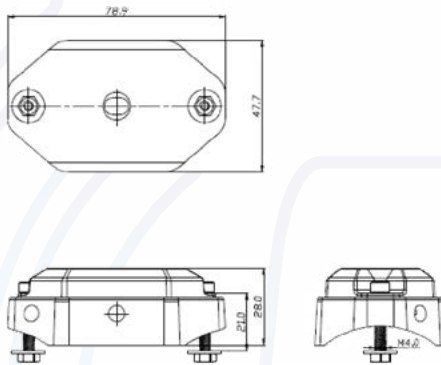
Part Number	Description
VSWD-SW180-PIR	SW Range with PIR, 3W 12-28v 180mm R10
VSWD-SW300-PIR	SW Range with PIR, 4.5W 12-28v 300mm R10
VSWD-SW600-PIR	SW Range with PIR, 10W 12-28v 600mm R10

Lumens	300/450/1000LM	Approvals	R10
Voltage	12-28v	IP Rating	IP54
LEDs	36/66/144 SMD LEDs	Colour Temp	5500-6000k
Mounting	Surface	Additional Features	Switch On/Off/PIR
Dimensions	180/300/600 x 40 x 9mm	Box Qty	150/100/50
Housing Material	Aluminium	Lens Material	Polycarbonate

VSWD-ML01

INTERIOR LIGHT

R10



Part Number	Description
VSWD-ML01	Micro Light 3 * 3W LEDs 10-30v

Lumens	648	Approvals	ECE R10
Voltage	10-36v	IP Rating	IP67
LEDs	3 LEDs	Beam Pattern	Flood
Mounting	Surface	Additional Features	
Dimensions	79 x 70 x 41mm	Box Qty	60
Housing Material	Aluminium	Lens Material	Polycarbonate

VSWD-790

CV LIGHTING



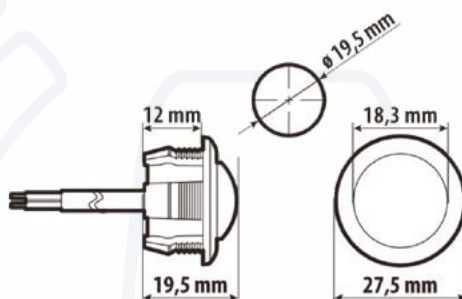
Part Number	Description
VSWD-791-A	790 Series 560mm All Amber 120 LED
VSWD-792-A	790 Series 880mm All Amber 180 LED
VSWD-793-A	790 Series 1200mm All Amber 240 LED
VSWD-793-A-STT	790 Series 1200MM STT Bar 308 LED R148
VSWD-795-A	790 Series 1520mm All Amber 300 LED
VSWD-795-A-STT	790 Series 1520mm STT Bar 368 LED R148
VSWD-796-A	790 Series 1840mm All Amber 360 LED
VSWD-797-A	790 Series 2160mm All Amber 420 LED

Flash Patterns	26/28 Patterns	Approvals	ECE R10 (All), ECE R65 TA2 (Amber), TB2 (Blue)
Voltage	10-30v	IP Rating	IP66
LEDs	See above	Colours	
Mounting	Brackets	Additional Features	Blue/Dual Colour/STT available on request
Dimensions	Above x 200 x 44mm	Box Qty	1-2
Housing Material	Aluminium	Lens Material	Polycarbonate

VSWD-802

CV LIGHTING

R10



Part Number	Description
VSWD-802-A	10-30v amber marker, ECE R10, ECE R148
VSWD-802-W	10-30v white marker, ECE R10, ECE R148
VSWD-802-R	10-30v red marker, ECE R10, ECE R148

Function	Marker Light	Approvals	ECE R10, R148
Voltage	12-24v	IP Rating	IP67
Mounting	Flush Mount	LEDs	1 LEDs
Dimensions	See above	Box Qty	20
Housing Material	ABS & Rubber	Lens Material	Polycarbonate

VSWD-810

CV LIGHTING

R10



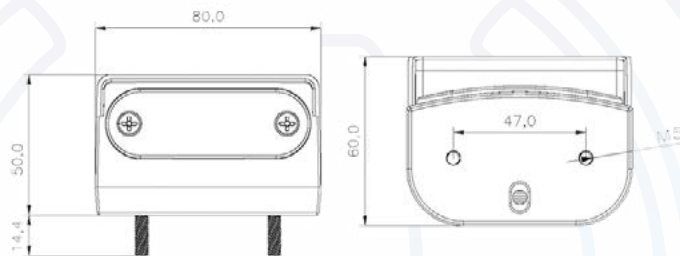
Part Number	Description
VSWD-810	LED Number Plate lamp 10-30v ECE R10 / R4 IP65

Function	Number Plate Lamp	Approvals	ECE R10, R4
Voltage	12-24v	IP Rating	IP65
Mounting	Bolt Mount	LEDs	12 x 2W LEDs
Dimensions	100 x 49 x 33mm	Box Qty	50
Housing Material	Polycarbonate	Lens Material	Polycarbonate

VSWD-810-AMP

CV LIGHTING

R10

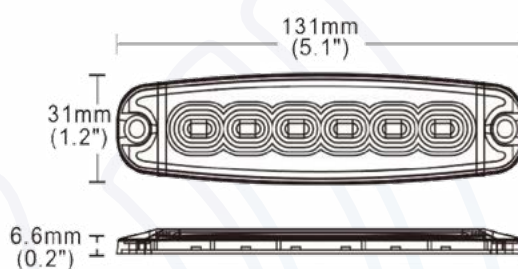


Part Number		Description	
VSWD-810-AMP		Number plate lamp with AMP superseal 10-30v	
LEDs	4 LEDs	Approvals	ECE R10, R148
Voltage	10-30v	IP Rating	IP67
Mounting	Bolt & Bracket	Additional Feature	AMP Superseal
Dimensions	80 x 50 x 60mm	Box Qty	100
Housing Material	Aluminium	Lens Material	Polycarbonate

VSWD-820

REAR LIGHTING

R10



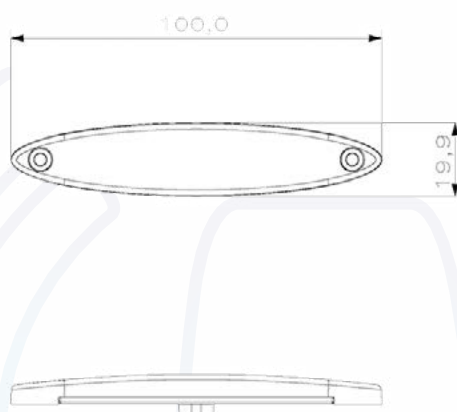
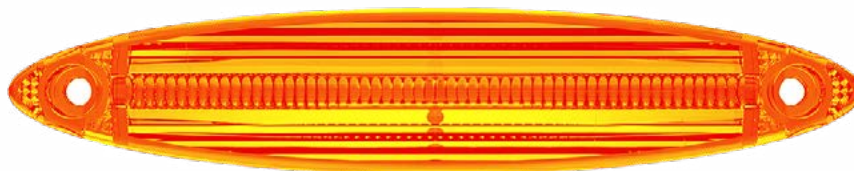
Part Number	Description
VSWD-820	Red/Amber compact S/T/I rear light5 Function Tail Light with progressive indicator

Light Info	Static light for Stop, Tail, Indicator	Approvals	ECE R10 R148 UKCA
Voltage	10-30v	IP Rating	IP67
LEDs	6 LEDs	Colours	
Mounting	Screws or 3M Adhesive, surface mount	Additional Features	
Dimensions	See Above	Box Qty	50
Housing Material	Polycarbonate	Lens Material	Polycarbonate

VSWD-844-A

REAR LIGHTING

R10



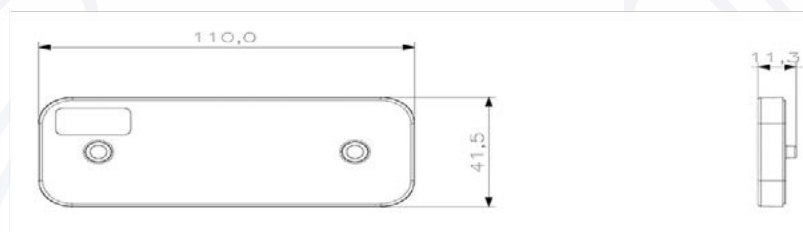
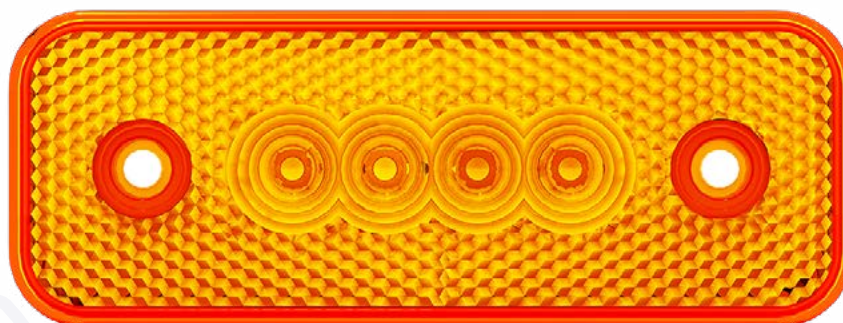
Part Number	Description
VSWD-844-A	Slim Amber Marker Light 24v

Light Info		Approvals	ECE R10 R148
Voltage	24v	IP Rating	IP67
LEDs	6 LEDs	Colours	
Mounting	Screws	Additional Features	With Reflex
Dimensions	100mm x 12mm	Box Qty	500
Housing Material	Polycarbonate	Lens Material	Polycarbonate

VSWD-845-A

REAR LIGHTING

R10



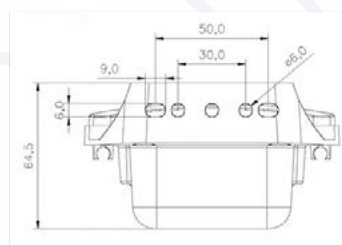
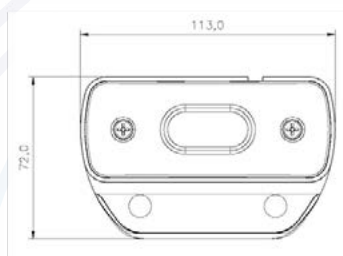
Part Number	Description
VSWD-845-A	Amber Marker Light with Mount 10-30v

Light Info		Approvals	ECE R10 R148
Voltage	10-30v	IP Rating	IP67
LEDs	4 LEDs	Colours	
Mounting	Screws	Additional Features	With Reflex
Dimensions	110mm x 42mm x 11mm	Box Qty	300
Housing Material	Polycarbonate	Lens Material	Polycarbonate

VSWD-846-A-AMP

CV LIGHTING

R10



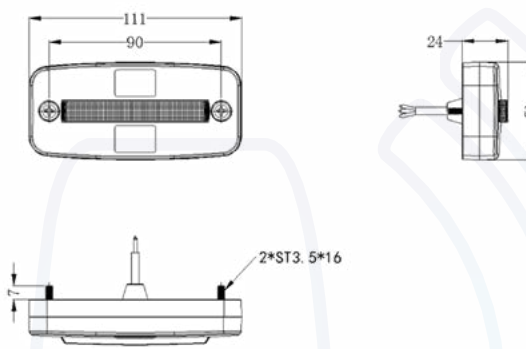
Part Number	Description
VSWD-846-A-AMP	Amber marker light with mount and AMP superseal 10-30v

Voltage	10-30v	Approvals	ECE R10, R148
LEDs	6 LEDs	IP Rating	IP67
Mounting	Bolt & Bracket	Additional Features	With Reflex and AMP Superseal
Dimensions	113mm x 72mm x 65mm	Box Qty	100
Housing Material	Polycarbonate	Lens Material	Polycarbonate
		Colour	


VSWD-847

CV LIGHTING

R10



Part Number	Description
VSWD-847-ADI-AMP	Amber marker with indicator, AMP & Bracket

Function	Side Marker with reflector & indicator	Approvals	ECE R10, R148, R150
Voltage	12-24v	IP Rating	IP67
Mounting	Bracket Mount	LEDs	6 LEDs
Dimensions	111 x 51 x 24mm	Box Qty	50
Housing Material	Polycarbonate	Lens Material	Polycarbonate
Additional Features	AMP Connector, Indicator	Colour	

VSWD-848

CV LIGHTING

R10

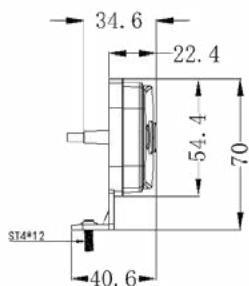
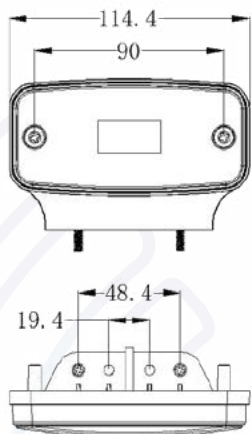


Part Number		Description	
VSWD-848-A-AMP		Oval Amber Marker with amp 12-24V R10/R3/R91	
Function	Side Marker & reflector	Approvals	ECE R10, R3, R91
Voltage	12-24v	IP Rating	IP65
Mounting	Bracket Mount	LEDs	3 x 1WLEDs
Dimensions	100 x 15 x 45mm	Box Qty	50
Housing Material	ABS	Lens Material	PMMA

VSWD-849

CV LIGHTING

R10



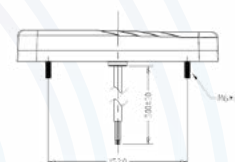
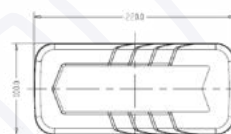
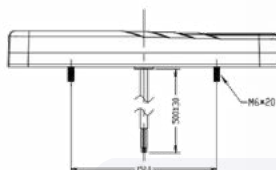
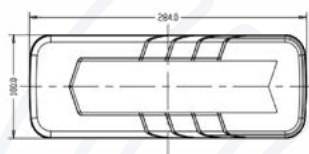
Part Number	Description
VSWD-849-Colour	A = Amber R = Red W = White

Function	Side Marker Lights with Reflex Reflector	Approvals	ECE R10 R148
Voltage	12-24v	IP Rating	IP67
LEDs	6 LEDs	Box Qty	50
Mounting	Bracket	Additional Features	
Dimensions	115 x 70 x 41mm		
Housing Material	Zinc	Lens Material	Polycarbonate

VSWD-850 Series

CV LIGHTING

R10



Part Number	Description
VSWD-852	222mm 5 Function Tail Light with progressive indicator
VSWD-853	284mm 5 Function Tail Light with progressive indicator

Function	Stop, Tail, Turn, Reverse, Fog	Approvals	ECE R10 R3, R6, R7, R23, R38
Voltage	12-24v	IP Rating	IP67
Mounting	Surface	Additional Features	Progressive Indicator
Dimensions	See above	Box Qty	30
Housing Material	Polycarbonate	Lens Material	Polycarbonate

VSWD-871

CV LIGHTING

R10



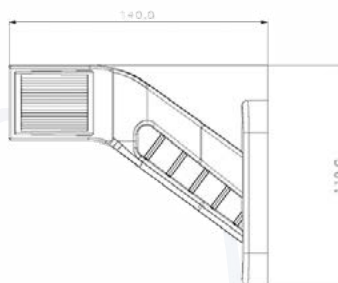
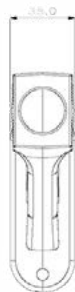
Part Number	Description
VSWD-871	Short Triple Marker Light Pair 10-30v

Voltage	10-30v	Approvals	ECE R10 R148
LEDs	6 LEDs	IP Rating	IP67
Mounting	Screws		
Dimensions	73mm x 100mm x 35mm	Box Qty	80
Housing Material	Polycarbonate	Lens Material	Polycarbonate

VSWD-872

CV LIGHTING

R10



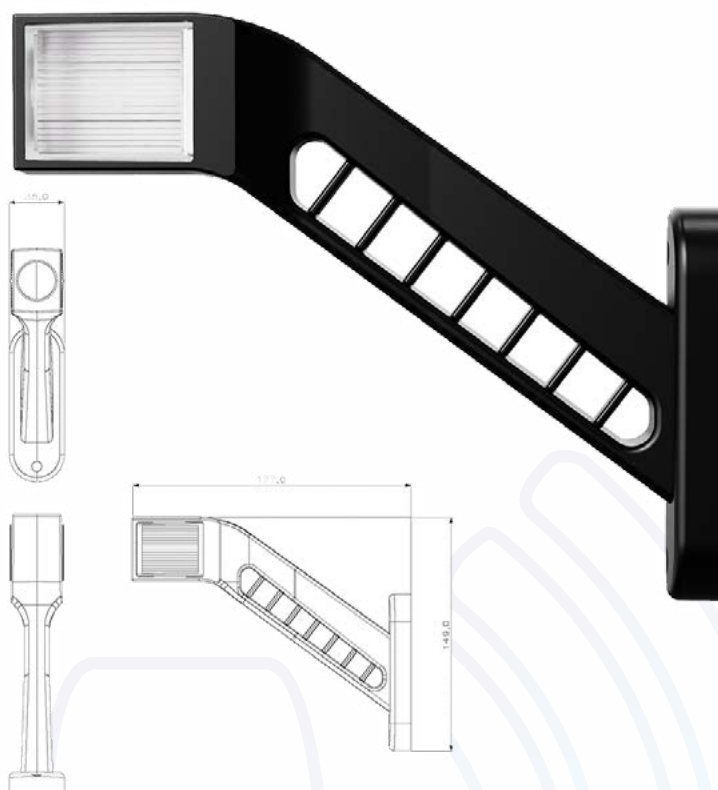
Part Number	Description
VSWD-872	Medium Triple Marker Light Pair 10-30v

Voltage	10-30v	Approvals	ECE R10 R148
LEDs	6 LEDs	IP Rating	IP67
Mounting	Screws		
Dimensions	140mm x 119mm x 35mm	Box Qty	80
Housing Material	Polycarbonate	Lens Material	Polycarbonate

VSWD-873

CV LIGHTING

R10



Part Number	Description
VSWD-873	Long Triple Marker Light Pair 10-30v

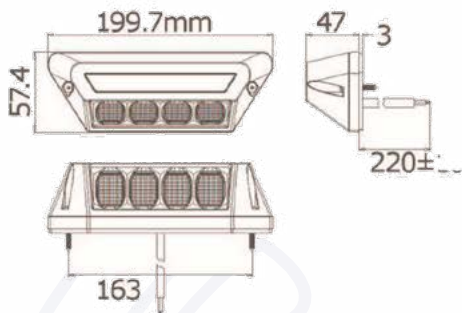
Voltage	10-30v	Approvals	ECE R10 R148
LEDs	6 LEDs	IP Rating	IP67
Mounting	Screws		
Dimensions	177mm x 149mm x 35mm	Box Qty	80
Housing Material	Polycarbonate	Lens Material	Polycarbonate

VSWD-SL2800

SCENE LIGHTING

R10

R65



Part Number	Description
VSWD-SL2800	Scene Light 4 LED 28W
VSWD-SL2800W-A	Scene Light with Amber Side Marker
VSWD-SL2800W-R	Scene Light with Red Side Marker
VSWD-SL2800W-W	Scene Light with White Side Marker
VSWD-SL2800W-R65	Scene Light with Amber R65 Warning Light

Lumens	2800 LM	Approvals	ECE R10, R148 R65, UKCA
Voltage	10-30v	IP Rating	IP69k
LEDs	4 LEDs + side marker / warning light	Beam Pattern	Flood
Mounting	Screw fix surface mount	Additional Features	
Dimensions	See above	Box Qty	20
Housing Material	Aluminium	Lens Material	Polycarbonate

LD675 GRAPHITE

MARKER LIGHT

R10



Description	Product Features
<p>The LD 675/GRAPHITE marker light combines elegant design with high functionality. With its dark shade, the light follows modern trends in vehicle design while providing adequate visibility on the road.</p>	<ul style="list-style-type: none"> • Front position light. The lamp emits white light to enhance road safety by making your vehicle better visible in various conditions. • The light can be mounted either on a straight rubber support or on a tube, providing more flexibility to suit the user's needs. • Number of LEDs. Fitted with 4 high-efficiency LEDs, the lamp provides efficient lighting with minimal energy consumption. • Universal supply voltage. Operating at 12/24 V, it is perfect for a variety of vehicle types. • Low power rating. With a power output of 0.4 W (at 12 V) and 0.7 W (at 24 V), the light is energy-efficient, a property that translates into longer life and less strain on the battery. • High IP 68 rating. The light is fully hermetic and resistant to mechanical damage. • Wide operating temperature range from -30°C to +50°C. Suitable for all weather conditions, the product will be a reliable choice all year round.

Light group	HOR 65G	LED quantity	4
Light category	marker	Supply voltage	12/24V
Light colour	white	Power rating	0.4/0.7 W
Operating temp range	from -30°C to +50°C	Cable	2x0.75mm ² , cable length 0.25m
Side	universal	Front position light	yes
LED light	yes	Ingress protection rating	IP68

LD676 GRAPHITE

MARKER LIGHT

R10



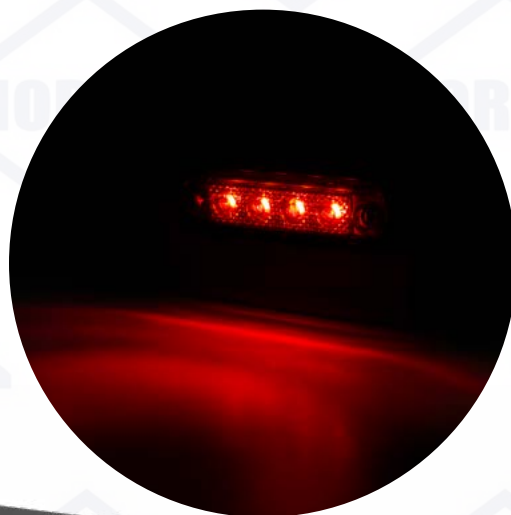
Description	Product Features
<p>The LD 676/GRAPHITE marker light combines elegant design with high functionality. With its dark shade, the light follows modern trends in vehicle design while providing adequate visibility on the road.</p>	<ul style="list-style-type: none"> • Side marker light. The lamp emits orange light to enhance road safety by making your vehicle better visible in various conditions. • The light can be mounted either on a straight rubber support or on a tube, providing more flexibility to suit the user's needs. • Number of LEDs. Fitted with 4 high-efficiency LEDs, the lamp provides efficient lighting with minimal energy consumption. • Universal supply voltage. Operating at 12/24 V, it is perfect for a variety of vehicle types. • Low power rating. With a power output of 0.6 W (at 12 V) and 1.2 W (at 24 V), the light is energy-efficient, a property that translates into longer life and less strain on the battery. • High IP 68 rating. The light is fully hermetic and resistant to mechanical damage. • Wide operating temperature range from -30°C to +50°C. Suitable for all weather conditions, the product will be a reliable choice all year round.

Light group	HOR 65G	LED quantity	4
Light category	marker	Supply voltage	12/24V
Light colour	amber	Power rating	0.6/1.2W
Operating temp range	from -30°C to +50°C	Cable	2x0.75mm ² , cable length 0.25m
Side marker light	yes	Side	universal
LED light	yes	Ingress protection rating	IP68

LD677 GRAPHITE

MARKER LIGHT

R10



Description	Product Features
<p>The LD 677/GRAPHITE marker light combines elegant design with high functionality. With its dark shade, the light follows modern trends in vehicle design while providing adequate visibility on the road.</p>	<ul style="list-style-type: none"> • Rear position light. The lamp emits red light to enhance road safety by making your vehicle better visible in various conditions. • The light can be mounted either on a straight rubber support or on a tube, providing more flexibility to suit the user's needs. • Number of LEDs. Fitted with 4 high-efficiency LEDs, the lamp provides efficient lighting with minimal energy consumption. • Universal supply voltage. Operating at 12/24 V, it is perfect for a variety of vehicle types. • Low power rating. With a power output of 0.6 W (at 12 V) and 1.2 W (at 24 V), the light is energy-efficient, a property that translates into longer life and less strain on the battery. • High IP 68 rating. The light is fully hermetic and resistant to mechanical damage. • Wide operating temperature range from -30°C to +50°C. Suitable for all weather conditions, the product will be a reliable choice all year round.

Light group	HOR 65G	LED quantity	4
Light category	marker	Rear position light	yes
Supply voltage	12/24V	Power rating	0.6/1.2W
Operating temp range	from -30°C to +50°C	Cable	2x0.75mm ² , cable length 0.25m
Light colour	red	Side	universal
LED light	yes	Ingress protection rating	IP68

LD2174 GRAPHITE

STALK MARKER LIGHT

R10



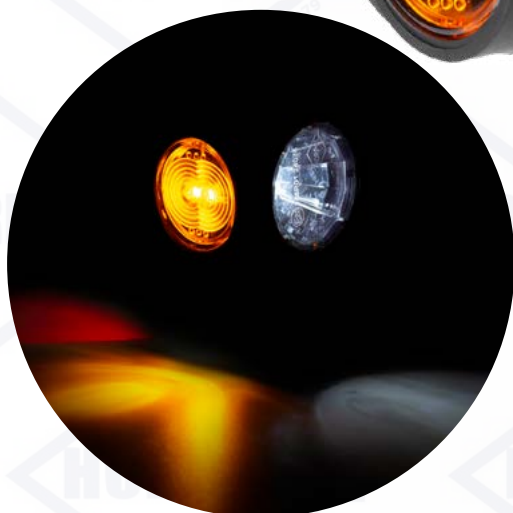
Description	Product Features
<p>LD 2174/GRAPHITE is a triple stalk marker light on a diagonal, long arm, designed to be mounted on the right side of a vehicle. Designed for use from small trailers to trucks and semi-trailers.</p> <p>The light from the GRAPHITE collection features a sleek, dark shade, combining modern design with functionality for excellent visibility.</p>	<ul style="list-style-type: none"> • Front position light (white light); • Stalk marker light (orange light); • Rear position light (red light); • Operating at a universal voltage of 12/24 V, the light is characterised by low energy consumption. The light with a reflecting device has been manufactured only with branded LEDs, which ensure a unique quality of illumination and add a visual appeal to the contour of a vehicle in motion. The high IP 68 rating and the operating temperature range of - 30°C to + 50°C make it a top quality product.

Light group	HOR 77AG	LED quantity	4
Light category	marker	Supply voltage	12/24V
Front clearance light	yes	Light colour	white/amber/red
Power rating	0.5/1.3W	Rear clearance light	yes
Operating temp range	from -30°C to +50°C	Cable	2x0.75mm ² , cable length 0.5m
Side marker light	yes	Side	right
Arm	yes	Ingress protection rating	IP68
LED light	yes		

LD2175 GRAPHITE

STALK MARKER LIGHT

R10



Description	Product Features
<p>LD 2175/GRAPHITE is a triple stalk marker light on a diagonal, long arm, designed to be mounted on the left side of a vehicle. Designed for use from small trailers to trucks and semi-trailers.</p> <p>The light from the GRAPHITE collection features a sleek, dark shade, combining modern design with functionality for excellent visibility.</p>	<ul style="list-style-type: none"> • Front position light (white light); • Stalk marker light (orange light); • Rear position light (red light); • Operating at a universal voltage of 12/24 V, the light is characterised by low energy consumption. The light with a reflecting device has been manufactured only with branded LEDs, which ensure a unique quality of illumination and add a visual appeal to the contour of a vehicle in motion. The high IP 68 rating and the operating temperature range of -30°C to +50°C make it a top quality product.

Light group	HOR 77AG	LED quantity	4
Light category	marker	Supply voltage	12/24V
Front clearance light	yes	Light colour	white/amber/red
Operating temp range	from -30°C to +50°C	Cable	2x0.75mm ² , cable length 0.5m
Side marker light	yes	Side	left
Arm	yes	Ingress protection rating	IP68
LED light	yes	Power rating	0.5/1.3W
Rear clearance light	yes		

LD2191 GRAPHITE

STALK MARKER LIGHT

R10



Description	Product Features
<p>LD 2191/GRAPHITE is a triple stalk marker light on a straight, long arm. The product is universal in terms of mounting options. It can be fitted on either the left or the right side of your vehicle. Designed for use from small trailers to trucks and semi-trailers. The light from the GRAPHITE collection features a sleek, dark shade, combining modern design with functionality for excellent visibility.</p>	<ul style="list-style-type: none"> • Front position light (white light); • Stalk marker light (orange light); • Rear position light (red light); • Operating at a universal voltage of 12/24 V, the light is characterised by low energy consumption. The light with a reflecting device has been manufactured only with branded LEDs, which ensure a unique quality of illumination and add a visual appeal to the contour of a vehicle in motion. The high IP 68 rating and the operating temperature range of - 30°C to + 50°C make it a top quality product.

Light group	HOR 77AG	LED quantity	4
Light category	marker	Supply voltage	12/24V
Front clearance light	yes	Light colour	white/amber/red
Operating temp range	from -30°C to +50°C	Cable	2x0.75mm ² , cable length 0.5m
Side marker light	yes	Side	universal
Arm	yes	Ingress protection rating	IP68
LED light	yes	Power rating	0.5/1.3W
Rear clearance light	yes		

LD3063

MARKER LIGHT DRAGON

R10



Description	Lamp Functions
<p>LD 3063 is a three-function marker lamp on a short diagonal arm, designed to be mounted on the left side of the vehicle. The lamp operates on a universal voltage of 12/24 V and is characterized by low power consumption. Only branded diodes are used for production, which definitely distinguish the quality of lighting and attractively emphasize the outline of a moving vehicle. LD 3063 with an interesting design is intended for use in trucks and agricultural machines, trailers and semi-trailers.</p>	<ul style="list-style-type: none"> • Rear position light (red light colour) – 6 diodes • Front position light (white light colour) – 6 diodes • Side marker light (orange light colour) – 4 diodes • Product is fully hermetic (ingress protection rating IP 68), and the operating temperature range is from -30°C to +50°C.

Light group	HOR 134	LED quantity	16
Light category	marker	Supply voltage	12/24V
Front position light	yes	Rear position light	yes
Operating temp range	from -30°C to +50°C	Cable	2x0.75mm ² , cable length 0.6m
Side marker light	yes	Side	left
Arm	yes	Ingress protection rating	IP68
LED light	yes	Power rating	1.9W

LD3064

MARKER LIGHT DRAGON

R10



Description	Lamp Functions
<p>LD 3064 is a three-function marker lamp on a short diagonal arm, designed to be mounted on the right side of the vehicle. The lamp operates on a universal voltage of 12/24 V and is characterized by low power consumption. Only branded diodes are used for production, which definitely distinguish the quality of lighting and attractively emphasize the outline of a moving vehicle. LD 3064 with an interesting design is intended for use in trucks and agricultural machines, trailers and semi-trailers.</p>	<ul style="list-style-type: none"> • Rear position light (red light colour) – 6 diodes • Front position light (white light colour) – 6 diodes • Side marker light (orange light colour) – 4 diodes • Product is fully hermetic (ingress protection rating IP 68), and the operating temperature range is from -30°C to +50°C.

Light group	HOR 134	LED quantity	16
Light category	marker	Supply voltage	12/24V
Front position light	yes	Rear position light	yes
Operating temp range	from -30°C to +50°C	Cable	2x0.75mm ² , cable length 0.6m
Side marker light	yes	Side	right
Arm	yes	Ingress protection rating	IP68
LED light	yes	Power rating	1.9W

LD3065

MARKER LIGHT DRAGON

R10



Description	Lamp Functions
<p>LD 3065 is a three-function marker lamp on a short diagonal arm. The lamp is universal in assembly, it can be installed both on the left and right side of the vehicle. The lamp operates on a universal voltage of 12/24 V and is characterized by low power consumption. Only branded diodes are used for production, which definitely distinguish the quality of lighting and attractively emphasize the outline of a moving vehicle. LD 3065 with an interesting design is intended for use in trucks and agricultural machines, trailers and semi-trailers.</p>	<ul style="list-style-type: none"> • Rear position light (red light colour) – 6 diodes • Front position light (white light colour) – 6 diodes • Side marker light (orange light colour) – 4 diodes • Product is fully hermetic (ingress protection rating IP 68), and the operating temperature range is from -30°C to +50°C.

Light group	HOR 134	LED quantity	16
Light category	marker	Supply voltage	12/24V
Front position light	yes	Rear position light	yes
Operating temp range	from -30°C to +50°C	Cable	2x0.75mm ² , cable length 0.6m
Side marker light	yes	Side	universal
Arm	yes	Ingress protection rating	IP68
LED light	yes	Power rating	1.9W

LD2327 MARKER LIGHT

R10



Light group	HOR 88	LED quantity	4
Light category	marker	Supply voltage	12/24V
Light colour	white	Power rating	0.3/0.7W
Operating temp range	from -30°C to +50°C	Side	universal
Front position light	yes	LED light	yes
Ingress protection rating	IP68		

LD2328 MARKER LIGHT

R10



Light group	HOR 88	LED quantity	4
Light category	marker	Supply voltage	12/24V
Light colour	amber	Power rating	0.3/0.8W
Operating temp range	from -30°C to +50°C	Side	universal
Side marker light	yes	LED light	yes
Ingress protection rating	IP68		

LD2329 MARKER LIGHT

R10



Light group	HOR 88	LED quantity	4
Light category	marker	Supply voltage	12/24V
Light colour	red	Power rating	0.3/0.8W
Operating temp range	from -30°C to +50°C	Side	universal
Rear position light	yes	LED light	yes
Ingress protection rating	IP68		

LD3210-GRAPHITE SLIM

MARKER LIGHT

R10



Description	Key Product Features
<p>The modern, compact front marker light LD 3210/ GRAPHITE SLIM – perfect solution for commercial, delivery and specialized vehicles. With its slim design and universal mounting method, this lamp is suitable for various configurations.</p>	<ul style="list-style-type: none"> • The lamp from the GRAPHITE collection features an elegant, dark shade, combining modern look with functionality. • LED technology – 4 efficient diodes emit bright, white position light. • Universal voltage of 12/24 V ensures compatibility with most vehicles. • Minimal energy consumption – only 0,5/1 W of power. • High IP 68 rating – resistant to water, dust and harsh weather conditions. • European approval and EMC certificate – full compliance with safety standards. • Easy installation. Two unique rubber pads allow for perfect mounting of the lamp on both flat surfaces and vehicle bars, while effectively masking the mounting screws. • Thanks to its durable construction and reliable LED technology, the LD 3210/ GRAPHITE lamp provides excellent visibility and long lifespan, meeting the requirements of even the most demanding users.

Light group	HOR 158G	LED quantity	4
Light category	marker	Supply voltage	12/24V
Light colour	white	Power rating	0.5/1W
Operating temp range	from -30°C to +50°C	Side	universal
Front position light	yes	LED light	yes
Ingress protection rating	IP68	Cable	2x1x0.75 mm ² , cable length 0.5m

LD3211-GRAPHITE

MARKER LIGHT

R10



Description	Key Product Features
<p>The modern, compact side marker lamp LD 3211/ GRAPHITE SLIM – perfect solution for commercial, delivery and specialized vehicles. With its slim design and universal mounting method, this lamp is suitable for various configurations.</p>	<ul style="list-style-type: none"> • The lamp from the GRAPHITE collection features an elegant, dark shade, combining modern look with functionality. • LED technology – 4 efficient diodes emit bright, orange marker light. • Universal voltage of 12/24 V ensures compatibility with most vehicles. • Minimal energy consumption – only 0,5/1 W of power. • High IP 68 rating – resistant to water, dust and harsh weather conditions. • European approval and EMC certificate – full compliance with safety standards. • Easy installation. Two unique rubber pads allow for perfect mounting of the lamp on both flat surfaces and vehicle bars, while effectively masking the mounting screws. • Thanks to its durable construction and reliable LED technology, the LD 3211/ GRAPHITE lamp provides excellent visibility and long lifespan, meeting the requirements of even the most demanding users.

Light group	HOR 158G	LED quantity	4
Light category	marker	Supply voltage	12/24V
Light colour	amber	Power rating	0.5/1W
Operating temp range	from -30°C to +50°C	Side	universal
Side position light	yes	LED light	yes
Ingress protection rating	IP68	Cable	2x1x0.75 mm ² , cable length 0.5m

LD3212-GRAPHITE SLIM

MARKER LIGHT

R10



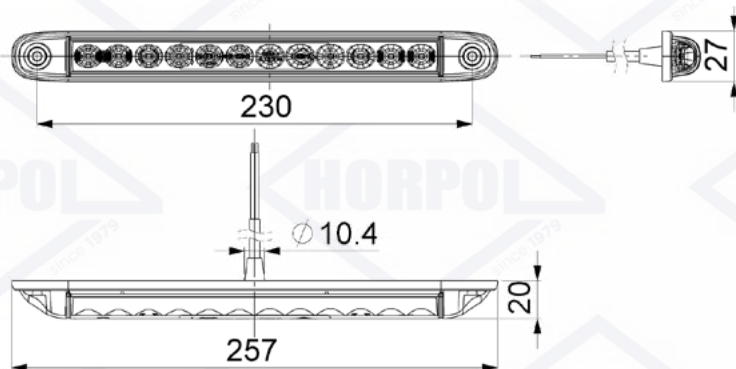
Description	Key Product Features
<p>The modern, compact rear marker lamp LD 3212/ GRAPHITE SLIM – perfect solution for commercial, delivery and specialized vehicles. With its slim design and universal mounting method, this lamp is suitable for various configurations.</p>	<ul style="list-style-type: none"> • The lamp from the GRAPHITE collection features an elegant, dark shade, combining modern look with functionality. • LED technology – 4 efficient diodes emit bright, red position light. • Universal voltage of 12/24 V ensures compatibility with most vehicles. • Minimal energy consumption – only 0,7/1,4 W of power. • High IP 68 rating – resistant to water, dust and harsh weather conditions. • European approval and EMC certificate – full compliance with safety standards. • Easy installation. Two unique rubber pads allow for perfect mounting of the lamp on both flat surfaces and vehicle bars, while effectively masking the mounting screws. • Thanks to its durable construction and reliable LED technology, the LD 3212/ GRAPHITE lamp provides excellent visibility and long lifespan, meeting the requirements of even the most demanding users.

Light group	HOR 158G	LED quantity	4
Light category	marker	Supply voltage	12/24V
Operating temp range	from -30°C to +50°C	Power rating	0.7/1.4W
Rear position light	yes	Side	universal
Ingress protection rating	IP68	LED light	yes
Cable	2x1x0.75 mm ² , cable length 0.5m		

LKD 2249/ST

REAR STATIC DIRECTION INDICATOR

R10



Description

Reliability, safety, and versatility in one solution.

The LKD 2249/ST model is a high-quality **static LED rear indicator**, designed with maximum functionality and durability in mind. Equipped with **12 efficient LEDs**, the lamp delivers a clear light signal that enhances vehicle visibility and road safety – both day and night, in all weather conditions.

Its **IP 68-rated** housing ensures complete resistance to dust and water, making it ideal for use in harsh environments, including road transport, agriculture, and industry. The lamp operates reliably across a **wide temperature range** and features a universal design that allows for horizontal or vertical mounting on either side of the vehicle.

Thanks to its low rated power consumption (**2,1/2,5 W**), the lamp is highly energy-efficient, helping extend the lifespan of electrical systems. The **12/24 V** power supply makes it compatible with most vehicles available on the market.

Applications

Perfect for trucks, construction and agricultural machinery, and all utility vehicles requiring durable directional lighting.

Choose quality and safety – equip your vehicle with the LKD 2249/ST!

Light group	HOR 86E	LED quantity	12
Light category	direction indicator	Supply voltage	12/24V
Light colour	amber	Power rating	2.1/2.5 W
Operating temp range	from -30°C to +50°C	Side	universal
Rear direction indicator	yes	LED light	yes
Ingress protection rating	IP68	Cable	2x0.75mm ² , cable length 1m

LZKD 3140

REAR MULTIFUNCTION DIRECTION INDICATOR

R10



Description	Key Product Features
<p>Compact rear multifunction lamp LIZARD LZD 3140, which combines innovative LED technology with modern design. Thanks to the use of 34 diodes, the lamp provides excellent visibility in all conditions, which makes it an ideal solution for various types of vehicles.</p>	<ul style="list-style-type: none"> • The LZD 3140 multifunction lamp provides three light functions: position, braking and static direction indicator. • Universal mounting side. The lamp can be mounted both vertically and horizontally, which allows for easy adjustment to various vehicle designs. • Supply voltage. The lamp operates in the voltage range of 12/24 V. • Wide operating temperature range from -30°C to +50°C. The lamp is resistant to various weather conditions, which ensures its reliability in extreme temperatures. • High resistance. The lamp is fully hermetic (compliance with the degree of protection against moisture IP 68), resistant to high and low temperatures and mechanical damage. • The operation of the lamp is also guaranteed in a way that does not emit electromagnetic interference and is electromagnetic interference-resistant, which is confirmed by the EMC certificate. • Wide range of applications. Perfect for specialized vehicles, semi-trailers, trailers, light electric vehicles, construction machinery and other commercial vehicles.

Light group	HOR 145A	LED quantity	34
Light category	multifunction rear	Supply voltage	12/24V
Brake light	yes	Rear position light	yes
Operating temp range	from -30°C to +50°C	Side	universal
Rear direction indicator	yes	LED light	yes
Ingress protection rating	IP68	Cable	4x0.5mm ² , cable length 1m

LZKD 3141

REAR MULTIFUNCTION DYNAMIC DIRECTION INDICATOR

R10



Description	Key Product Features
<p>Rear multifunction light with dynamic direction indicator LIZARD</p> <p>Compact rear multifunction lamp LIZARD LZD 3141, which combines innovative LED technology with modern design. Thanks to the use of 34 diodes, the lamp provides excellent visibility in all conditions, which makes it an ideal solution for various types of vehicles.</p>	<ul style="list-style-type: none"> • The LZD 3141 multifunction lamp provides three light functions: position, braking and dynamic direction indicator. • The lamp is universal in installation, it can be mounted on both the left and right side of the vehicle. • Supply voltage. The lamp operates in the voltage range of 12/24 V. • Wide operating temperature range from -30°C to +50°C. The lamp is resistant to various weather conditions, which ensures its reliability in extreme temperatures. • High resistance. The lamp is fully hermetic (compliance with the degree of protection against moisture IP 68), resistant to high and low temperatures and mechanical damage. • The operation of the lamp is also guaranteed in a way that does not emit electromagnetic interference and is electromagnetic interference-resistant, which is confirmed by the EMC certificate. • Wide range of applications. Perfect for specialized vehicles, semi-trailers, trailers, light electric vehicles, construction machinery and other commercial vehicles.

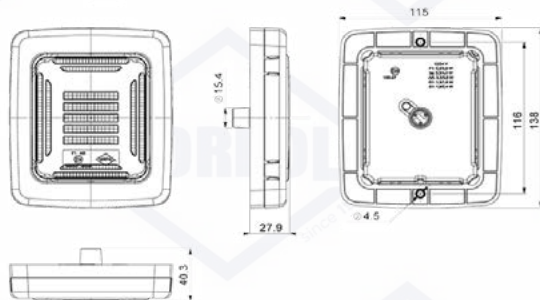
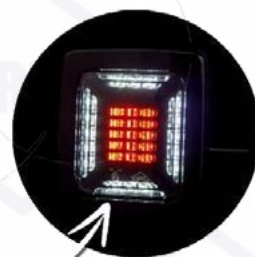
Light group	HOR 145AD	LED quantity	34
Light category	multifunction rear	Supply voltage	12/24V
Brake light	yes	Rear position light	yes
Operating temp range	from -30°C to +50°C	Side	universal
Dynamic direction indicator	yes	LED light	yes
Ingress protection rating	IP68	Cable	4x0.5mm ² , cable length 1m

CUBE LZD 2876

REAR COMBINATION LIGHT

R10

CUBE



Description	Key Product Features
<p>The CUBE LZD 2876 rear combination light is a functional and well-engineered LED lighting solution designed for reliable operation in demanding road conditions. Its compact form and slightly tinted lens give the lamp a modern appearance that integrates seamlessly with various vehicle body types.</p> <p>The product is intended for a wide range of commercial vehicles, including trailers, semi-trailers, trucks, agricultural machinery, and specialized vehicles. The lamp plays a key role in ensuring safety during maneuvering and driving in difficult weather conditions.</p>	<ul style="list-style-type: none"> The LZD 2876 model is equipped with two essential lighting functions: a rear fog light (3.3/3.8 W) and a reverse light(3.3/3.8 W), ensuring good visibility for both the driver and other road users. The use of 31 LEDs provides sufficient light intensity while maintaining low power consumption. Its universal design allows installation on both sides of the vehicle, exclusively in a vertical position. Thanks to its 12/24 V power supply range, the product is compatible with most vehicle electrical systems. The lamp is supplied with a spacer frame for easy and stable mounting on flat surfaces, as well as an outer frame that enhances the visual finish and protects the lamp edges. This solution increases versatility and makes it easier to adapt the product to different vehicle body types.

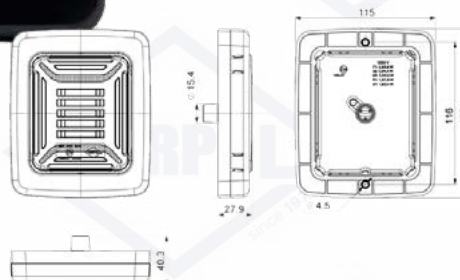
Light group	HOR 164	LED quantity	31
Light category	multifunction rear	Supply voltage	12/24V
Fog light	yes		
Operating temp range	from -30°C to +50°C	Side	universal
Reversing light	yes	LED light	yes
Ingress protection rating	IP68	Cable	3x0.5mm ² , cable length 1m

CUBE LZD 2877

REAR COMBINATION LAMP

CUBE

R10



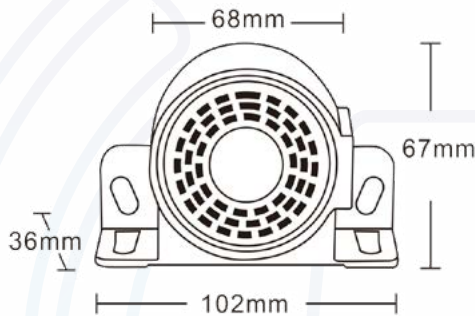
Description	Key Product Features
<p>The CUBE LZD 2877 rear combination lamp is a modern and visually striking LED lighting solution that combines high functionality with an attractive, minimalist design. Its distinctive light pattern – featuring dynamic, angular lines alongside precise horizontal LED strips – ensures the vehicle immediately stands out on the road. It is designed for drivers who expect more than standard lighting solutions.</p>	<p>The product has been developed for a wide range of commercial vehicles. It is ideal for trailers, semi-trailers, trucks, agricultural machinery, and special-purpose vehicles, where durability, resistance, and clear light signaling are essential. Its universal design allows installation on both the left and right sides of the vehicle, as well as in horizontal or vertical positions, making it easy to adapt to various vehicle body types.</p> <p>The lamp is equipped with three main functions:</p> <ul style="list-style-type: none"> • rear NEON position light: 1.3/1.8 W • brake light: 1.9/2.4 W • rear NEON turn signal with optional sequential activation: 3.3/4.4 W • The slightly tinted lens gives it a modern appearance without negatively affecting light intensity.

Light group	HOR 164	LED quantity	98
Light category	multifunction rear	Supply voltage	12/24V
Brake light	yes	Rear position light	yes
Operating temp range	from -30°C to +50°C	Side	universal
Rear direction indicator	yes	LED light	yes
Ingress protection rating	IP68	Cable	5x0.5mm ² , cable length 1m

VSWD-402-W

REVERSE ALARM

R10



Part Number	Description
VSWD-402-W	402 Plus Alarm, 87, 97 and 107dB 10-80v 2 Sounds Night Silent 5 Wires
VSWD-402-W-DE	402 Double Engage Alarm, 87, 97 and 107dB, 10-60v 2 Sounds

DB Rating	87, 97 and 107dB	Approvals	ECE R10 UKCA
Voltage	10-80v	IP Rating	IP67
Mounting	Bolts, Wires	Additional Features	Night Silent Function Double Engage Function
Dimensions	102 x 36 x 67mm	Box Qty	50
Housing Material	ABS	Tone	White Noise & Tonal

VSWD-406

TALKING ALARM

R10



Part Number	Description
VSWD-406-W-V-LRR-DE	Talking Alarm Left Turn, Right Turn, Reversing, Double Engage, 97dB 10-30v
VSWD-406-W-V-HBR	10-30v ECE R10 Hand Brake Alarm 90dB

DB Rating	90 dB, 97 dB	Approvals	ECE R10 UKCA
Voltage	10-30v	IP Rating	IP68
Mounting	Bolts, Wires	Additional Features	See description above
Dimensions	84 x 68 x 45mm	Box Qty	40
Housing Material	Glass Filled Nylon	Tone	Talking Voice

VSWD-407

DOUBLE ENGAGE ALARM

R10



Part Number	Description
VSWD-407-W-WNDE	White Noise, Double Engage, Night Silent Alarm

DB Rating	97 dB	Approvals	ECE R10
Voltage	10-30v	IP Rating	IP68
Mounting	Bolts, Wires	Additional Features	
Dimensions	84 x 68 x 45mm	Box Qty	40
Housing Material	Glass Filled Nylon	Tone	White Noise

VSWD-01BRACKET

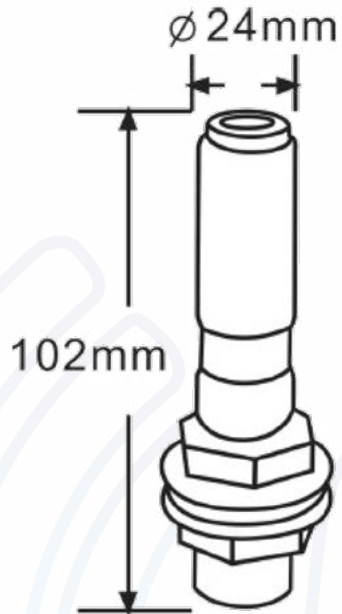
BRACKETS



Part Number	Description
VSWD-01BRACKET	Bracket kit to fit Mini Bars Made from galvanised steel Kit comes with foam pads and bolts Dimensions 240 x 100 x 100mm

VSWD-BRACKET1

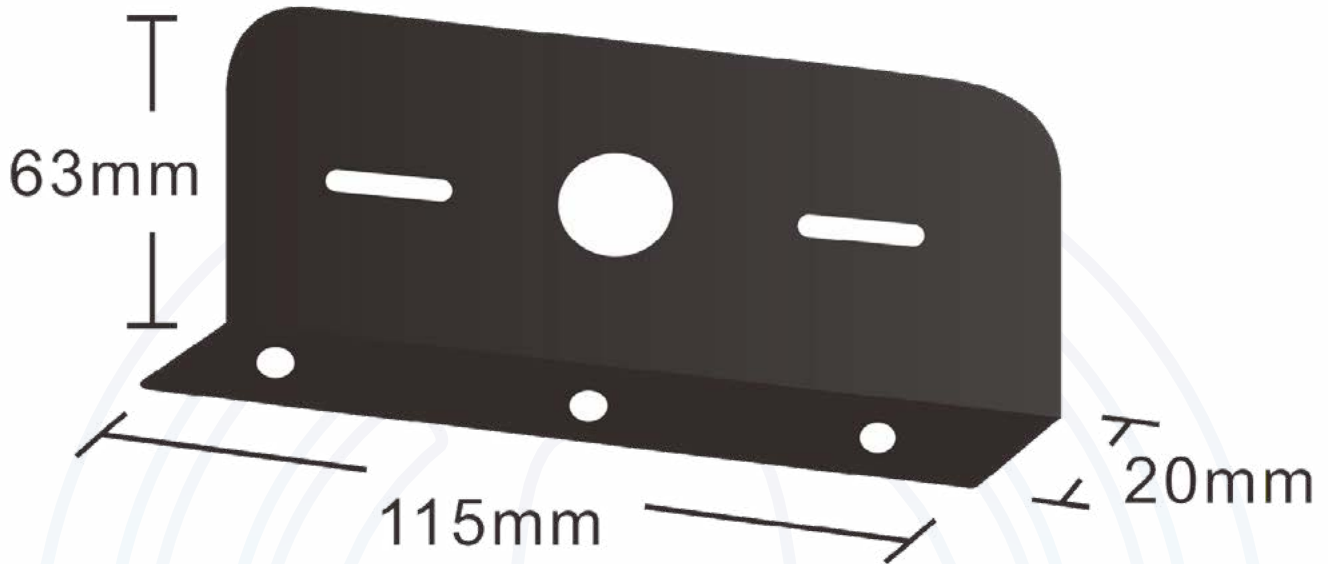
BRACKETS



Part Number	Description
BRACKET1	Pole mount bracket Made from Iron Dimensions 102 x 24mm

VSWD-BRACKET7

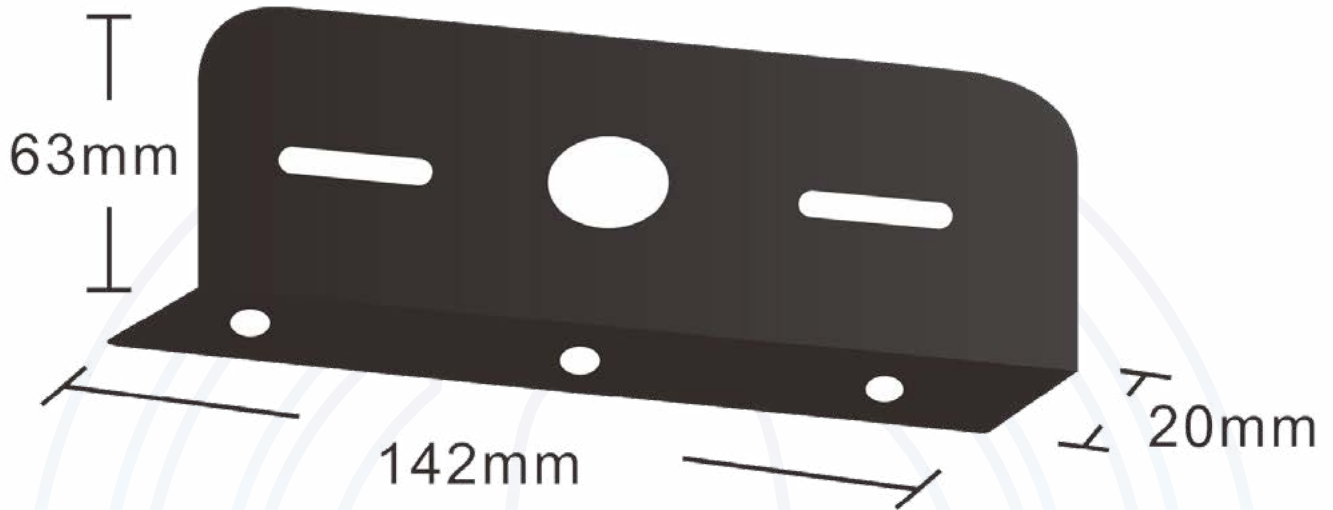
BRACKETS



Part Number	Description
BRACKET7	Strobe Light Bracket Made from iron Dimensions 115 x 63 x 20mm

VSWD-BRACKET8

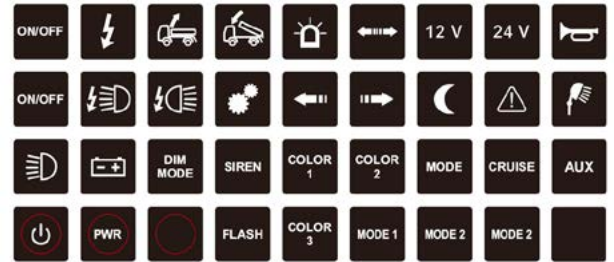
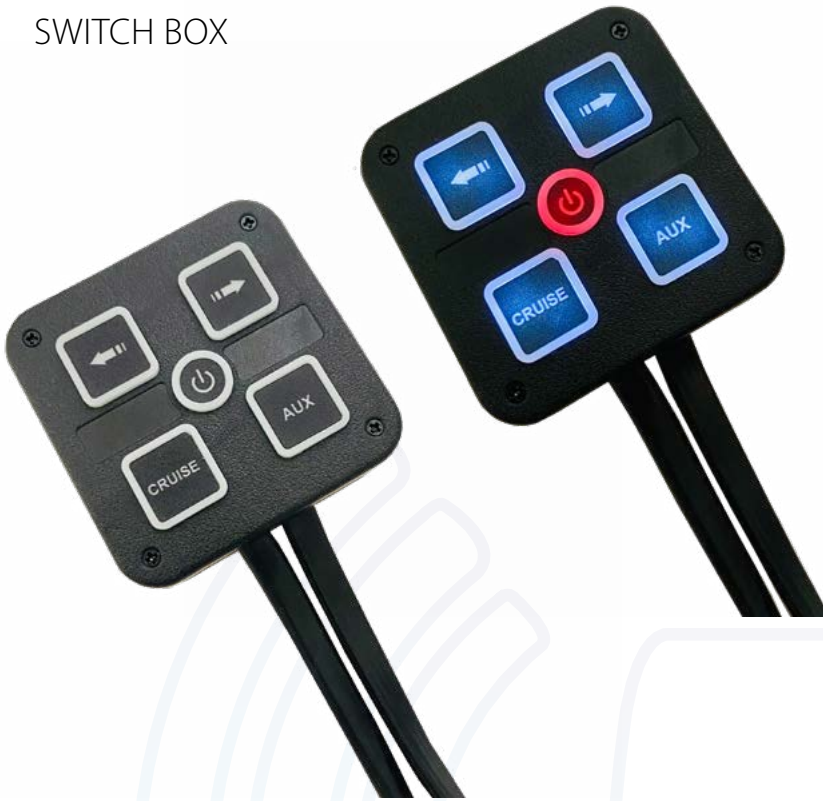
BRACKETS



Part Number	Description
BRACKET8	Strobe Light Bracket Made from iron Dimensions 142 x 63 x 20mm

VSWD-SB4

SWITCH BOX



36 icon sticker



Suction Cup Bracket(Optional)

Part Number	Description
VSWD-SB4 • SWITCH BOX 4 WAY MINI CONTROLLER 10-30V IP67	<ul style="list-style-type: none"> • 4 programmable momentary or on/off buttons. • 36 selectable icon sticker to clearly label your panel. • IP67 waterproof. • 4 x 5 amp outputs. • Dual color led background rubber buttons. • Multiple mounts options are available. • Certification: ECE R10. • ALL-IN-ONE Controller with integrated relay. • Universal compatibility. • Over-temperature protection and short circuit protection.
VSWD-SBB • BRACKET FOR SWITCH BOX 4 WAY MINI CONTROLLER SB4	

Dimensions	62mm L x 62mm W x 25mm H	Voltage	10-30 VDC
Warranty	2 years	Max Current Output	20A
Cable Harness Length	300mm	Fuse	20A

VSWD-OR303-2

OFF ROAD

R10



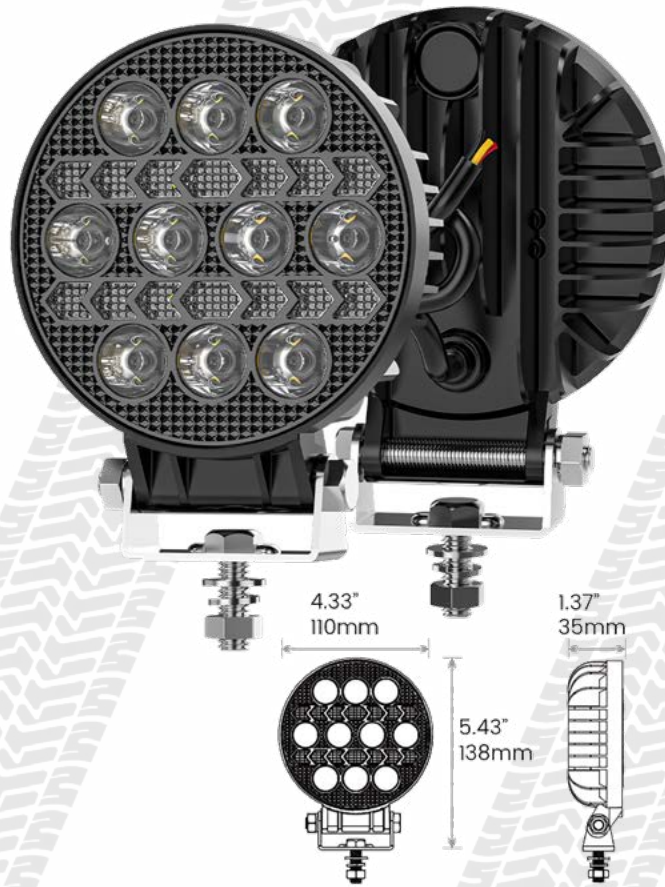
Part Number	Description
VSWD-OR303-2	Odyssey Off Road 3" Twin Kit 3200 LM with Position 9-36v

Lumens	3200 LM	Approvals	ECE R10
Voltage	9-36v	IP Rating	IP67
LEDs	4 LEDs	Beam Pattern	Flood
Mounting	Bolt & Bracket	Additional Features	Position lamp
Dimensions	80mm x 90mm x 55mm	Box Qty	10
Housing Material	Aluminium	Lens Material	Polycarbonate

VSWD-OR401

OFF ROAD

R10



Part Number	Description
VSWD-OR401	Odyssey Off Road 4" Round Lamp 2000 LM with Position 9-36v

Lumens	2000 LM	Approvals	ECE R10
Voltage	9-36v	IP Rating	IP67
LEDs	10 LEDs	Beam Pattern	Flood
Mounting	Bolt & Bracket	Additional Features	Position lamp
Dimensions	138mm x 110mm x 35mm	Box Qty	50
Housing Material	Aluminium	Lens Material	Polycarbonate

VSWD-OR402

OFF ROAD

R10



Part Number	Description
VSWD-OR402	Odyssey Off Road 4" Square Lamp 2000 LM with Position 9-36v

Lumens	2000 LM	Approvals	ECE R10
Voltage	9-36v	IP Rating	IP67
LEDs	12 LEDs	Beam Pattern	Flood
Mounting	Bolt & Bracket	Additional Features	Position lamp
Dimensions	138mm x 110mm x 32mm	Box Qty	50
Housing Material	Aluminium	Lens Material	Polycarbonate

VSWD-OR403-2

OFF ROAD

R10



Part Number	Description
VSWD-OR403-2	Odyssey Off Road 4" Twin Kit 2600 LM with Position 9-36v

Lumens	2600 LM	Approvals	ECE R10
Voltage	9-36v	IP Rating	IP67
LEDs	10 LEDs	Beam Pattern	Flood
Mounting	Bolt & Bracket	Additional Features	Position lamp
Dimensions	109mm x 120mm x 68mm	Box Qty	5
Housing Material	Aluminium	Lens Material	Polycarbonate

VSWD-OR501

OFF ROAD

R10



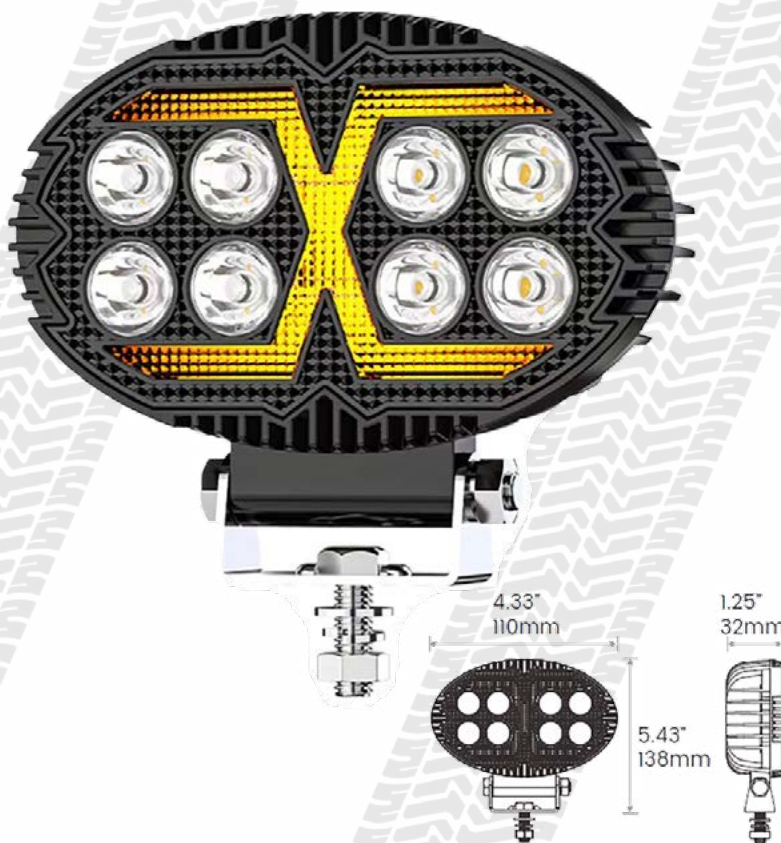
Part Number	Description
VSWD-OR501	Odyssey Off Road 5" Square Lamp 3600 LM with Position 9-36v

Lumens	3600 LM	Approvals	ECE R10
Voltage	9-36v	IP Rating	IP67
LEDs	18 LEDs	Beam Pattern	Flood
Mounting	Bolt & Bracket	Additional Features	Position lamp
Dimensions	147mm x 129mm x 37mm	Box Qty	20
Housing Material	Aluminium	Lens Material	Polycarbonate

VSWD-OR502

OFF ROAD

R10



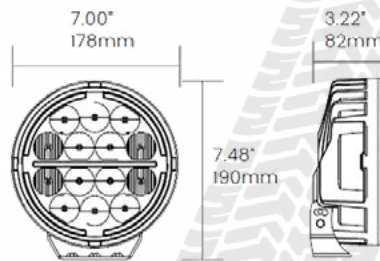
Part Number	Description
VSWD-OR502	Odyssey Off Road 5" Lamp 24000 LM with Position 9-36v

Lumens	24000 LM	Approvals	ECE R10
Voltage	9-36v	IP Rating	IP67
LEDs	8 LEDs	Beam Pattern	Flood
Mounting	Bolt & Bracket	Additional Features	Position lamp
Dimensions	110mm x 138mm x 32mm	Box Qty	50
Housing Material	Aluminium	Lens Material	Polycarbonate

VSWD-OR701

OFF ROAD

R10



Part Number	Description
VSWD-OR701	Odyssey Off Road 7" Round Lamp 14000 LM with Position 9-36v

Lumens	14000 LM	Approvals	ECE R10
Voltage	9-36v	IP Rating	IP67
LEDs	14 LEDs	Beam Pattern	Flood
Mounting	Bolt & Bracket	Additional Features	Position Lamp
Dimensions	178mm x 190mm x 82mm	Box Qty	5
Housing Material	Aluminium	Lens Material	Polycarbonate

VSWD-OR702

OFF ROAD

R10



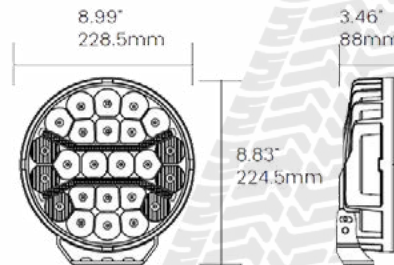
Part Number	Description
VSWD-OR702	Odyssey Off Road 7" Drive Lamp 11800 LM with Position 10-48v

Lumens	11800 LM	Approvals	ECE R10/R148/R149
Voltage	10-48v	IP Rating	IP67
LEDs	20 LEDs	Beam Pattern	Drive light
Mounting	Bolt & Bracket	Additional Features	Position Lamp
Dimensions	170mm x 170mm x 60mm	Box Qty	12
Housing Material	Aluminium	Lens Material	Polycarbonate

VSWD-OR901

OFF ROAD

R10



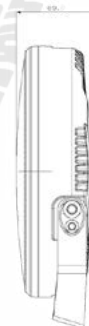
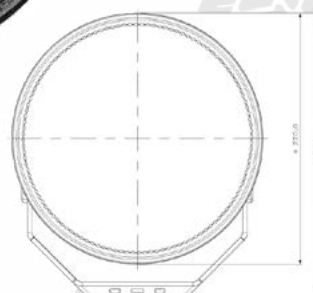
Part Number	Description
VSWD-OR901	Odyssey Off Road 9" Round Lamp 24000 LM with Position 9-36v

Lumens	24000 LM	Approvals	ECE R10
Voltage	9-36v	IP Rating	IP67
LEDs	24 LEDs	Beam Pattern	Flood
Mounting	Bolt & Bracket	Additional Features	Position Lamp
Dimensions	229mm x 225mm x 88mm	Box Qty	5
Housing Material	Aluminium	Lens Material	Polycarbonate

VSWD-OR902

OFF ROAD

R10



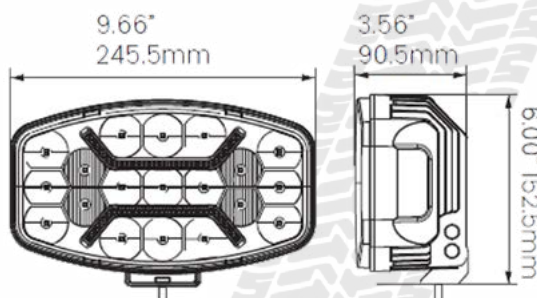
Part Number	Description
VSWD-OR902	Odyssey Off Road 9" Drive Lamp 14400 LM with Position 10-48v

Lumens	14400 LM	Approvals	ECE R10/R148/R149
Voltage	10-48v	IP Rating	IP67
LEDs	22 LEDs	Beam Pattern	Drive Light
Mounting	Bolt & Bracket	Additional Features	Position Lamp
Dimensions	220mm x 220mm x 70mm	Box Qty	8
Housing Material	Aluminium	Lens Material	Polycarbonate

VSWD-OR1001

OFF ROAD

R10



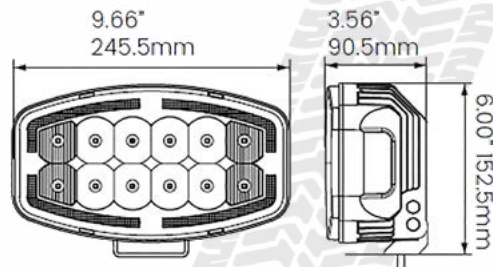
Part Number	Description
VSWD-OR1001	Odyssey Off Road 10" Lamp 19000 LM with Position 9-36v

Lumens	19000LM	Approvals	ECE R10
Voltage	9-36v	IP Rating	IP67
LEDs	19 LEDs	Beam Pattern	Flood
Mounting	Bolt & Bracket	Additional Features	Position lamp
Dimensions	246mm x 153mm x 91mm	Box Qty	10
Housing Material	Aluminium	Lens Material	Polycarbonate

VSWD-OR1002

OFF ROAD

R10



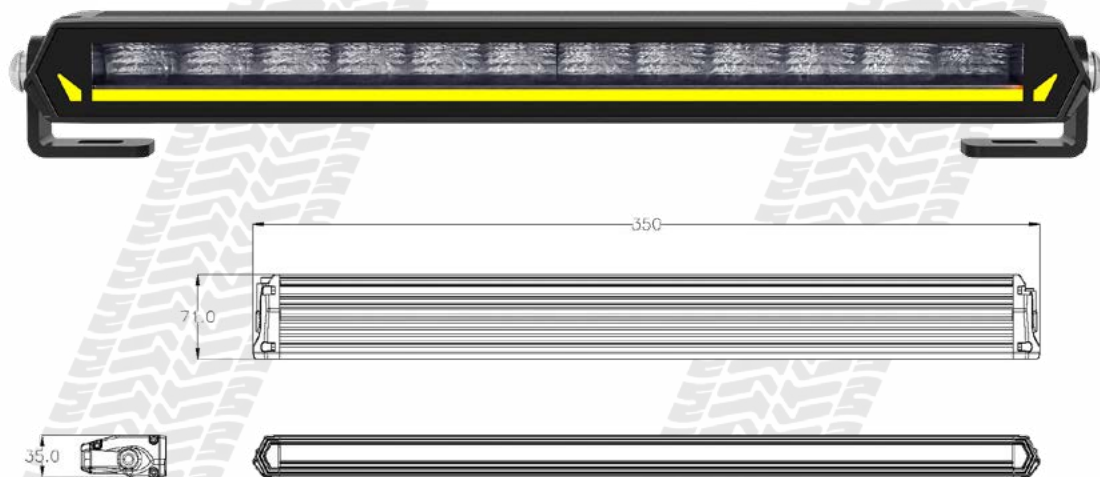
Part Number	Description
VSWD-OR1002	Odyssey Off Road 10" Lamp 12000 LM with Position 9-36v

Lumens	12000LM	Approvals	ECE R10
Voltage	9-36v	IP Rating	IP67
LEDs	12 LEDs	Beam Pattern	Flood
Mounting	Bolt & Bracket	Additional Features	Position lamp
Dimensions	246mm x 153mm x 91mm	Box Qty	10
Housing Material	Aluminium	Lens Material	Polycarbonate

VSWD-OR-WL613

OFF ROAD

R10



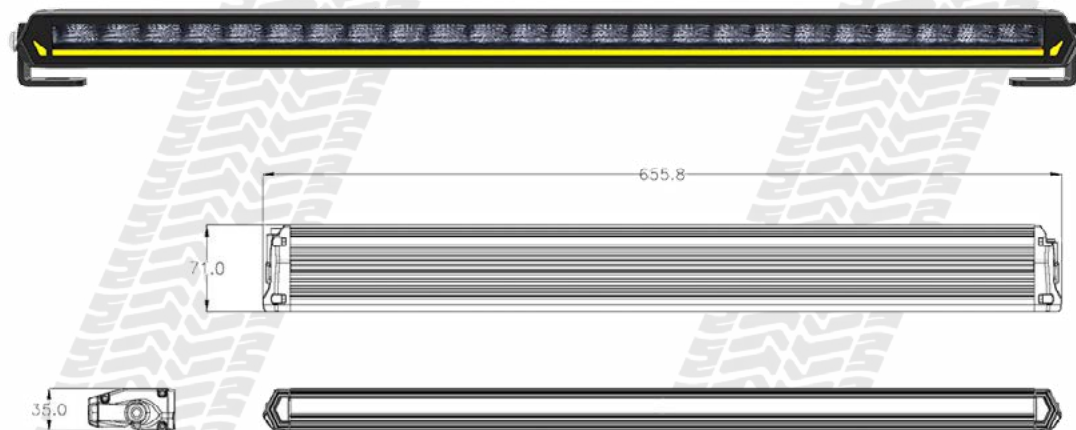
Part Number	Description
VSWD-OR-WL613	Odyssey Off Road 13.8" Bar 3348 LM with Position 10-48v

Lumens	3348 LM	Approvals	ECE R10/R148
Voltage	10-48v	IP Rating	IP67
LEDs	12 LEDs	Beam Pattern	Drive Light
Mounting	Bolt & Bracket	Additional Features	Position lamp
Dimensions	350mm x 71mm x 35mm	Box Qty	6
Housing Material	Aluminium	Lens Material	Polycarbonate

VSWD-OR-WL626

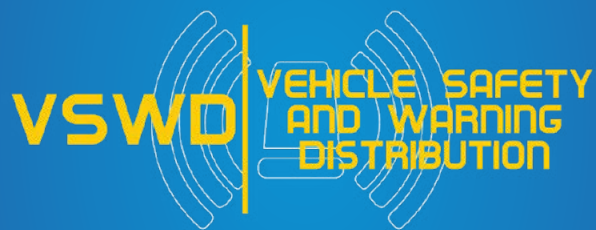
OFF ROAD

R10



Part Number	Description
VSWD-OR-WL626	Odyssey Off Road 26" Bar 6696 LM with Position 10-48v

Lumens	6696 LM	Approvals	ECE R10/R148
Voltage	10-48v	IP Rating	IP67
LEDs	24 LEDs	Beam Pattern	Drive Light
Mounting	Bolt & Bracket	Additional Features	Position lamp
Dimensions	656mm x 71mm x 35mm	Box Qty	4
Housing Material	Aluminium	Lens Material	Polycarbonate



SAFETY SHOULD NOT COME AT A PREMIUM

Vehicle Safety and Warning Distribution Ltd

Unit 2 Manse Lane Industrial Estate,
Manse Lane,
Knaresborough
HG5 8LF

Telephone: +44 (0) 113 4575540

Email: sales@vswd-ltd.co.uk

www.vswd-ltd.co.uk

